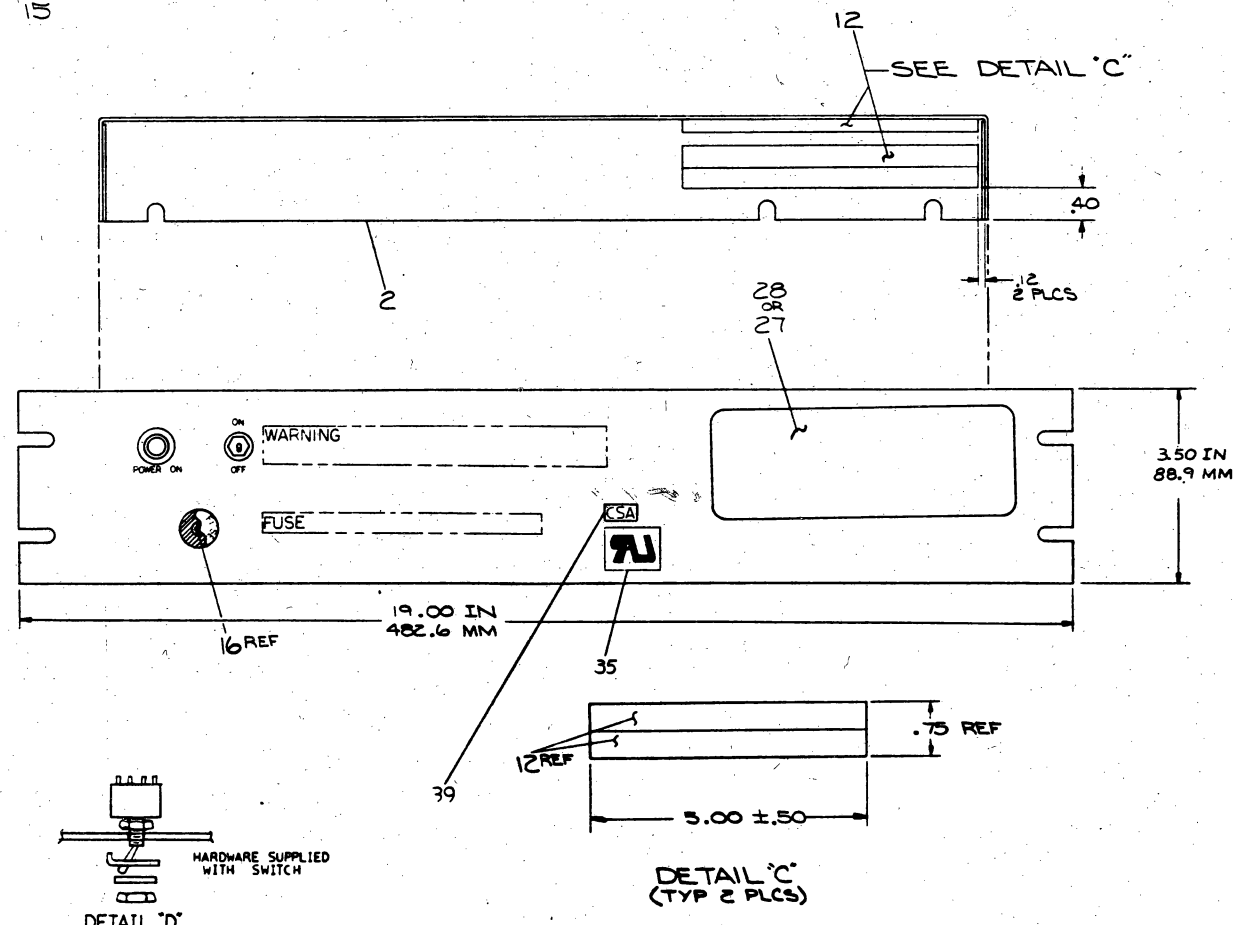
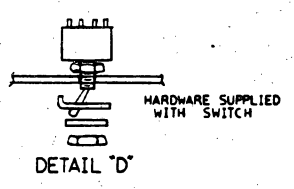
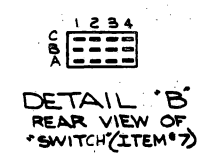
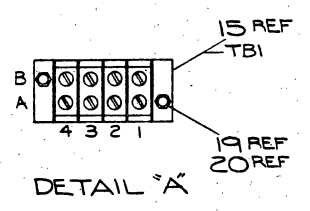
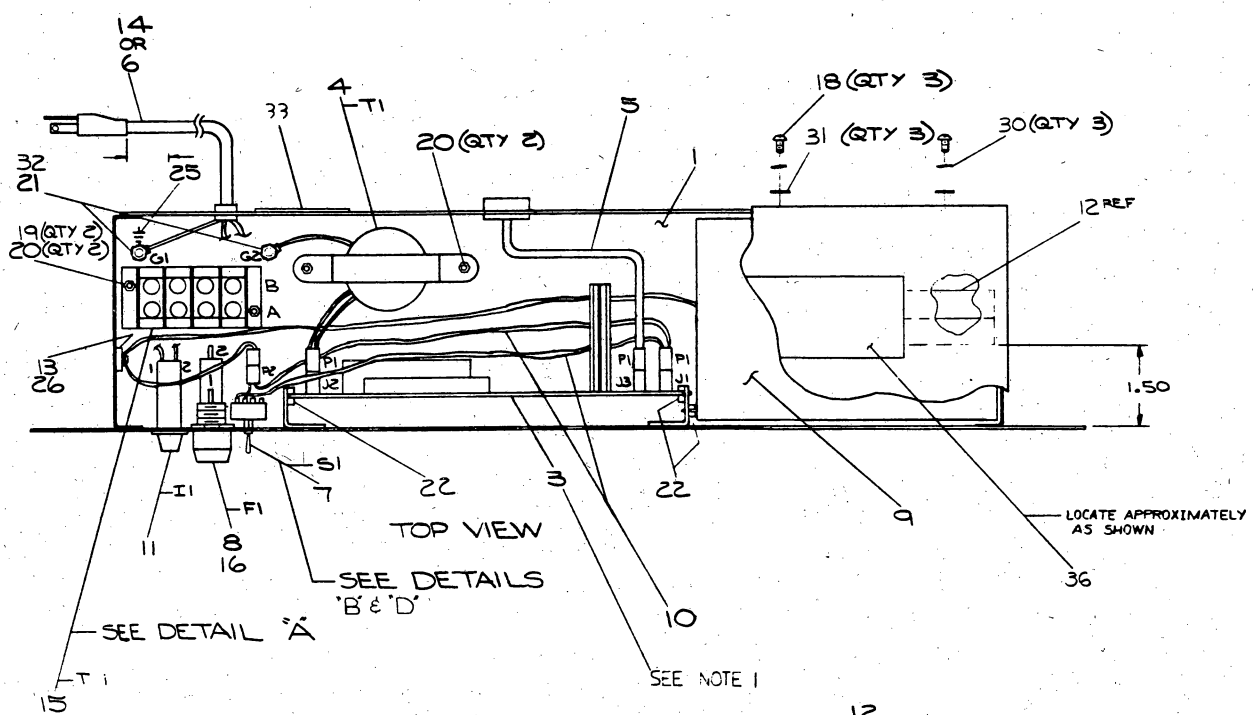


WIRE TABLE

ITEM NO	DESCRIPTION	FROM	TO	REMARKS
AWG	COLOR	CONN WITH	CONN WITH	
18	BRN		F1-2	SLD, HI
14	BLU		TBI-1A	
	GRN/YL		G1	Z1
4	WHT	T1-1	TBI-4A	
	BLK	T1-2	TBI-3A	
	RED	T1-3	TBI-2A	
	#18 GRN/YL	T1-4	G2	Z1
		T1(P)	J2	3
H	#22 BLK	I1-1	TBI-5B	17
	#22 RED	I1-2	TBI-4B	17
		P2		9
10	#20 RED	2	S1-A	29
	#20 RED	1	S1-B	29
		P1	J1	3
5		P1	J3	3
24	#20 BLU	TBI-1B	S1-4B	29
24	BLU	TBI-4B	S1-4A	29
23	BRN	S1-3	F1-1	SLD, HI
F	23 BRN	S1-5B	TBI-5B	17 HT111-A ONLY
23	#20 BRN	S1-3B	TBI-2B	17 HT111-B ONLY

NOTES:
 1. ADJUST FIT OF ITEM 3 IN CARD GUIDES BY INSERTING ITEM 40 (FLAT WASHER) BETWEEN MOUNTING BRACKETS AND CARD GUIDES.



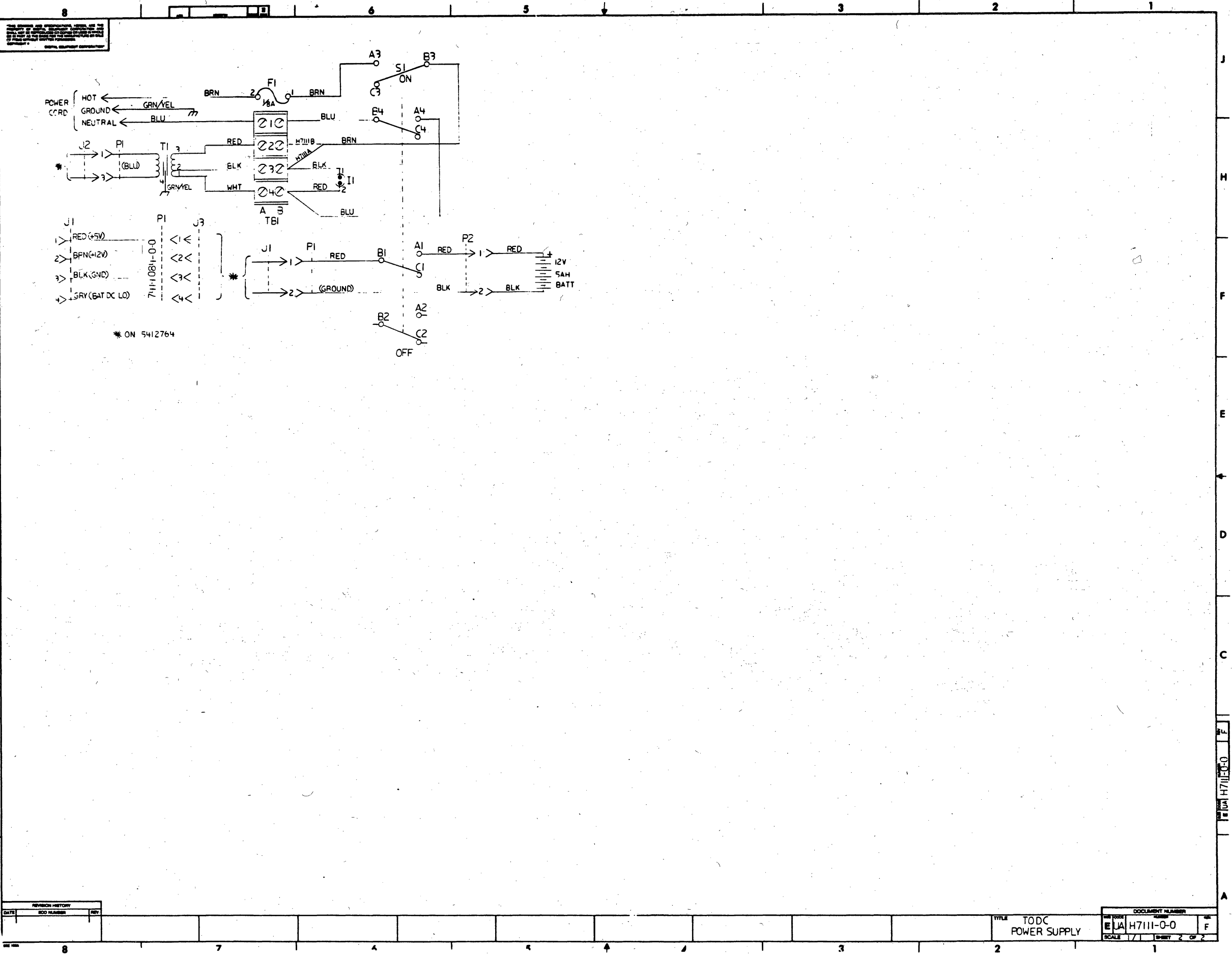
OFF SHEET PARTS LIST REFER TO A-PL-H7111-0-0

ITEM NO	DESCRIPTION	QTY	UNIT
1
2
3
4
5
6
7
8
9
10
11
12
13
14
15
16
17
18
19
20
21
22
23
24
25
26
27
28
29
30
31
32
33
34
35
36
37
38
39
40

TOUC POWER SUPPLY

SEE PARTS LIST

1246



REVISION HISTORY		
DATE	ISS NUMBER	REV

TITLE TODC
POWER SUPPLY

DOCUMENT NUMBER	
NO	REV
EJA	H7111-0-0
SCALE	SHEET 2 OF 2

1247

LINE	ITEM	DOCUMENT NUMBER	PART NUMBER	DESCRIPTION	QUANTITY PER VARIATION	
					A	B
1		D-AD-7013880-0-0	7013880-00	CHASSIS ASSY WELDMENT	1	1
2		D-MD-7418457-0-0	7418457-00	COVER	1	1
3		D-UA-5412763-0-0	5412763-00	BATTERY CHARGER TOD	1	1
4		C-IA-7014080-0-0	7014080-00	TRANSFORMER ASSY	1	1
5		C-IA-7014084-0-0	7014084-0F	CABLE ASSY	1	1
6		C-IA-7014058-0-0	7014058-03	POWER CORD ASSY (H7111) 5FEET 24	0	1
7			1214032-00	SW TOG 4P 5A ON/NONE/ON	1	1
8			1212893-00	FUSE HOLDER, 20A, 300V, PNL MNT	1	1
9			1212499-01	BATTERY, 12V 5A LEAD ACID	1	1
10		C-IA-7014160-0-0	7014160-00	JUMPER	1	1
11			1205303-00	LAMP, PILOT IND DEVICES #1020A	1	1
12			9008274-00	FOAM TAPE 3/8" X 3/8" BLACK	A/R	A/R
13			9008264-00	MOUNT, CABLE TIE, ADHESIVE BACKE	1	1
14		C-IA-7014058-0-0	7014058-02	POWER CORD ASSY (H7111) 5FEET 12	1	0
15			9006902-00	TERM BLOCK 4POS 7/16 SPACING	1	1
16			9008527-00	FUSE SLO BLO 1/8 A 250V GLASS	1	1
17			9007929-00	TERM RING #5, 6STUD CRIMP 16-2	5	5
18			9006021-01	SCREW PAN, PHIL 6-32X 5/16 SS	3	3
19			9007794-01	SCREW PAN, PHIL 6-32X 11/16SS	2	2
20			9006560-00	NUT, KEP 6-32X 5/16AF	4	4
21			9006565-00	NUT, KEP 10-32X 3/8 AF	2	2
22			1211375-02	CARD GUIDE (2.5") SINGLE RUNG	3	3
23			9107810-11	WIRE, STRND, 20AWG, IPVC (UL1430)	A/R	A/R
24			9107810-66	WIRE, STRND, 20AWG, IPVC (UL1430)	A/R	A/R
25			3612680-00	DECAL, GROUND SIGN PER 3E6 *	1	1
26			9007031-00	TIE CABLE BUNDL DIA 0- 3/4"=101	1	1
27			3614530-00	DECAL, ADH BACK FOR H7111, 115V	0	0
28			3614530-01	DECAL, ADH BACK FOR H7111, 230V	0	1
29			9107714-00	TUBING, SHRINK 3/32DIA EXP UL	A/R	A/R
30			9007801-00	WASHER, LOCK, S.S. #6	3	3

REVISION HISTORY		BASIC PART NO: H7111		DRN: M. DUGGAN	DATE: 29-MAR-77	D I G I T A L	
ENG	ECO NUMBER	REV	SECTION A OF A	CHK'D: D. MARTEL	DATE: 17-SEP-77	TITLE PARTS LIST	
	INITIAL	E	SECTION. VARIATION INDEX	DES. ENG.: R. KENNEDY	DATE: 17-SEP-77	DOCUMENT NUMBER	
	K.K. H7111-TW006	F	(A) A, B	RESP. ENG.: J. DREW	DATE: 17-SEP-77	SIZE: K	CODE: PL
			(B)	MFG. ENG.: E. BLAIR	DATE: 16-SEP-77	NUMBER: H7111-0-DBP	REV: F
			(C)	ASSEMBLY NUMBER: E-UA-H7111-0-0	TOP DOCUMENT NUMBER:	FILE NAME: 22984F.PLS	EDIT #: 8
			(D)	"THIS DRAWING AND SPECIFICATIONS HEREIN, ARE THE PROPERTY OF DIGITAL EQUIPMENT CORPORATION AND SHALL NOT BE REPRODUCED OR COPIED OR USED IN WHOLE OR IN PART AS THE BASIS FOR THE MANUFACTURE OR SALE OF ITEMS WITHOUT WRITTEN PERMISSION. COPYRIGHT (C) 1982. DIGITAL EQUIPMENT CORPORATION"			
			(E)				
			(F)				

AUTOMATED BY PRTLST.3P(44)

PARTS LIST

SHEET A2 OF A2

LINE	ITEM	DOCUMENT NUMBER	PART NUMBER	DESCRIPTION	QUANTITY PER VARIATION	
					A	B
31			9006653-00	WASHER, FLAT, .375 O.D. X .156 I	3	3
32			9007651-00	WASHER, LOCK, EXTERNAL TOOTH #10	2	2
33			9009255-01	LABEL, POWER SUPPLY, 2-7/8" LG X	1	1
34		BLANK			0	0
35			3612063-00	LABEL, ADHESIVE I.D. FOR UL C	1	1
36			3615596-00	LABEL, BATTERY DISCHARGE WARNING	1	1
37			1216542-00	TERM. QUICK .090TAB CRIMP 20-2	4	4
38		BLANK		TUBING, SHRINK 1/8 DIA. EXP UL	-	A/R
39			3613211-01	DECAL, CLEAR PREPRINTED CSA 1-1/4	1	1
40			9010164-00	WASHER, FLAT, .380 OD X .203 ID	4	4
41			9107254-00	TUBING, SHRINK 3/16 DIA. EXP UL	A/R	A/R
42		BLANK		*** THIS ITEM IS NOT USED ***	-	-

 *** THIS ITEM IS NOT USED ***
 RELEASABLE *****

D	I	G	I	T	A	L	TITLE	SECTION A OF A	SIZE	CODE	DOCUMENT NUMBER	RE
							TODC POWER SUPPLY		K	PL	H7111-0-DBP	F

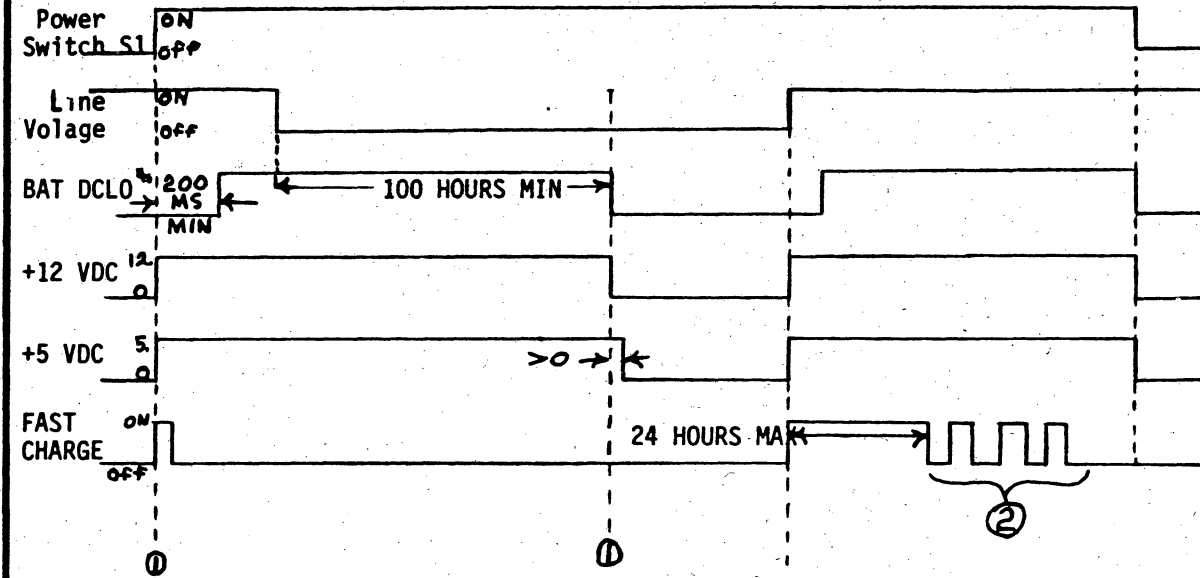
1249

ENGINEERING SPECIFICATION

CONTINUATION SHEET

TITLE H7111 Engineering Specification

TIMING DIAGRAM



Note ① Assume battery ~~was~~ fully charged (90% capacity).

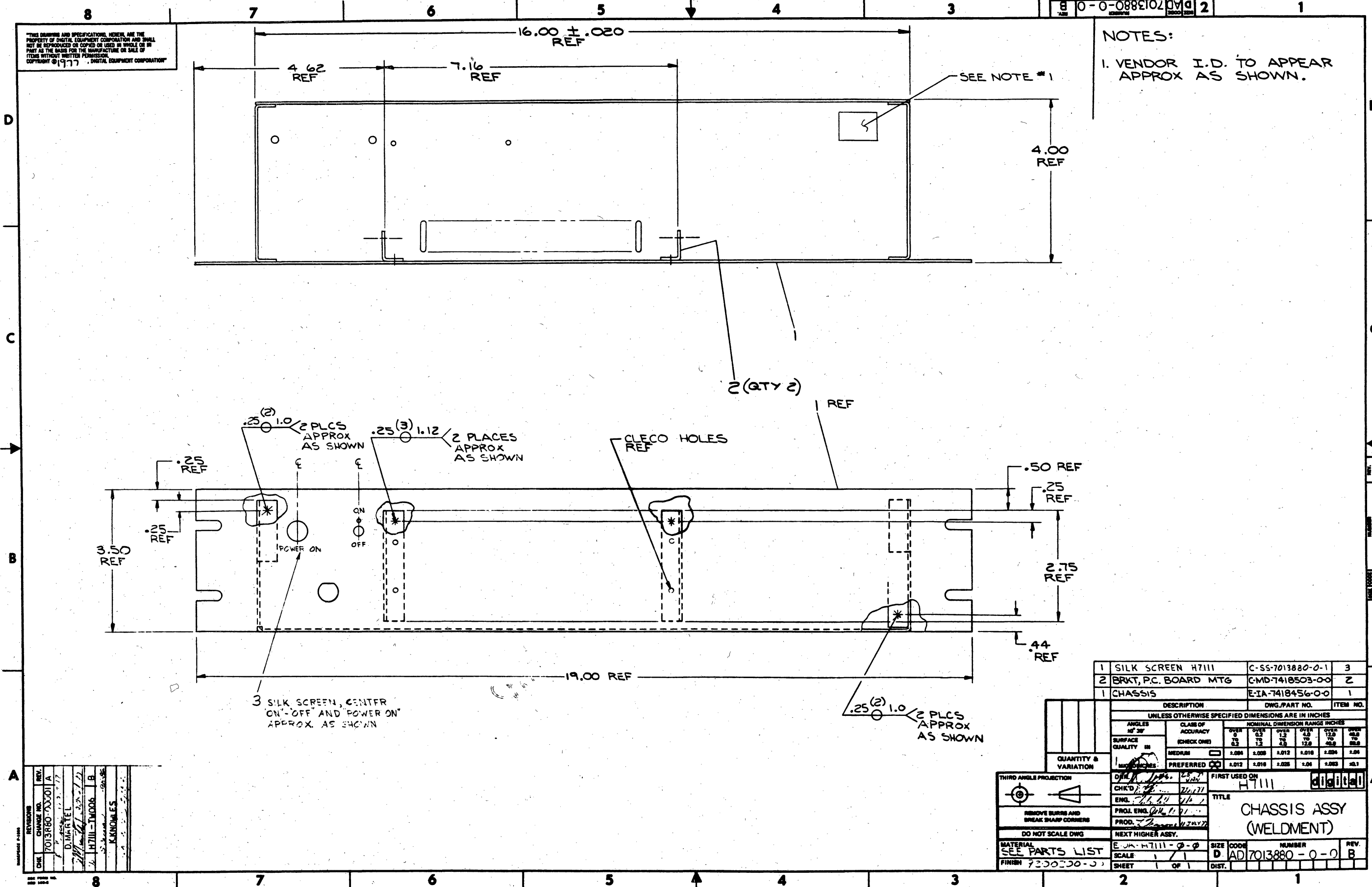
Note ② Fast charge may cycle until battery charge is topped off at about 125 % capacity.

SIZE	CODE	NUMBER	REV
A	SP	H7111-0-4	

1251

THIS DRAWING AND SPECIFICATIONS, HEREIN, ARE THE PROPERTY OF DIGITAL EQUIPMENT CORPORATION AND SHALL NOT BE REPRODUCED OR COPIED OR USED IN WHOLE OR IN PART AS THE BASIS FOR THE MANUFACTURE OR SALE OF ITEMS WITHOUT WRITTEN PERMISSION. COPYRIGHT © 1977, DIGITAL EQUIPMENT CORPORATION

NOTES:
1. VENDOR I.D. TO APPEAR APPROX AS SHOWN.



1	SILK SCREEN H7111	C-SS-7013880-0-1	3
2	BRKT, P.C. BOARD MTG	CMD-7418503-0-0	2
1	CHASSIS	E-IA-7418456-0-0	1

DESCRIPTION		DWG. PART NO.		ITEM NO.	
UNLESS OTHERWISE SPECIFIED DIMENSIONS ARE IN INCHES					
ANGLES	CLASS OF ACCURACY	NOMINAL DIMENSION RANGE INCHES			
MT 30°	(CHECK ONE)	OVER 0 TO 0.2	OVER 0.2 TO 1.2	OVER 1.2 TO 4.0	OVER 4.0 TO 12.0
SURFACE QUALITY	MEDIUM	0.004	0.008	0.012	0.018
MATERIALS	PREFERRED	0.012	0.018	0.025	0.04

REV.	REV.
7013880-0001 A	7013880-0001 A
D. MARTEL	D. MARTEL
H7111-11006 B	H7111-11006 B
K. KNOWLES	K. KNOWLES

THIRD ANGLE PROJECTION

REMOVE BURRS AND BREAK SHARP CORNERS

DO NOT SCALE DWG

MATERIAL SEE PARTS LIST

FINISH 720030-0

QUANTITY & VARIATION

DATE: 7/27/77

CHK'D: [Signature]

ENG: [Signature]

PROJ. ENG: [Signature]

PROG: [Signature]

NEXT HIGHER ASSY.

E-IA-H7111-0-0

SCALE: 1/1

SHEET: 1 OF 1

FIRST USED ON: H7111

TITLE: CHASSIS ASSY (WELDMENT)

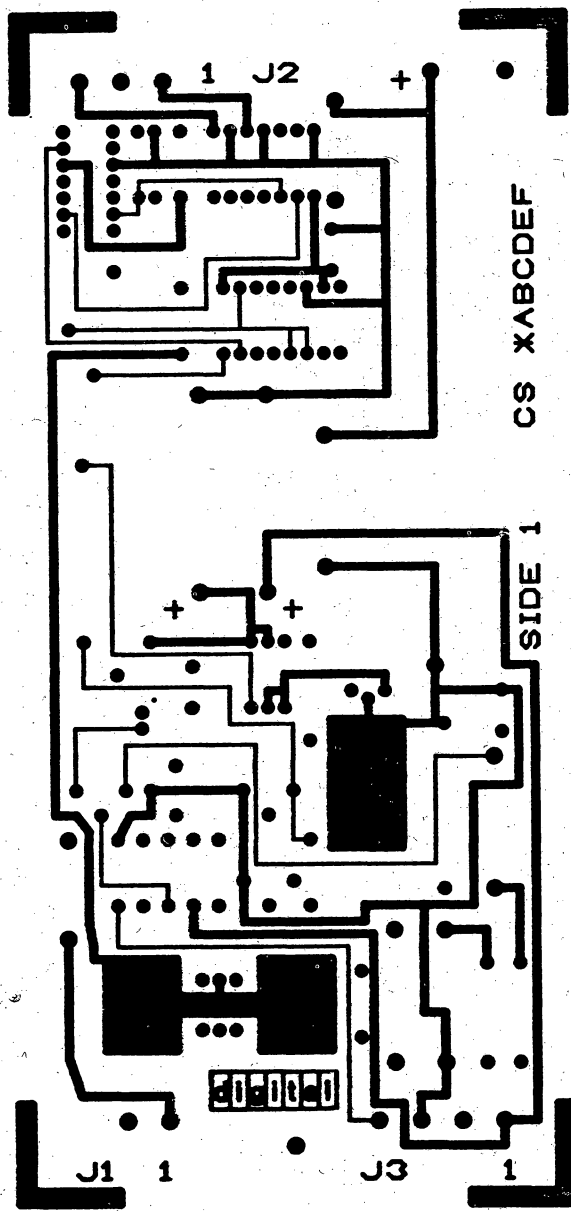
SIZE: D

CODE: AD

NUMBER: 7013880-0-0

REV. B

"THIS DRAWING AND SPECIFICATIONS HEREIN ARE THE PROPERTY OF DIGITAL EQUIPMENT CORPORATION AND SHALL NOT BE REPRODUCED OR COPIED OR USED IN WHOLE OR IN PART AS THE BASIS FOR THE MANUFACTURE OR SALE OF ITEMS WITHOUT WRITTEN PERMISSION. COPYRIGHT © DIGITAL EQUIPMENT CORPORATION 1977"



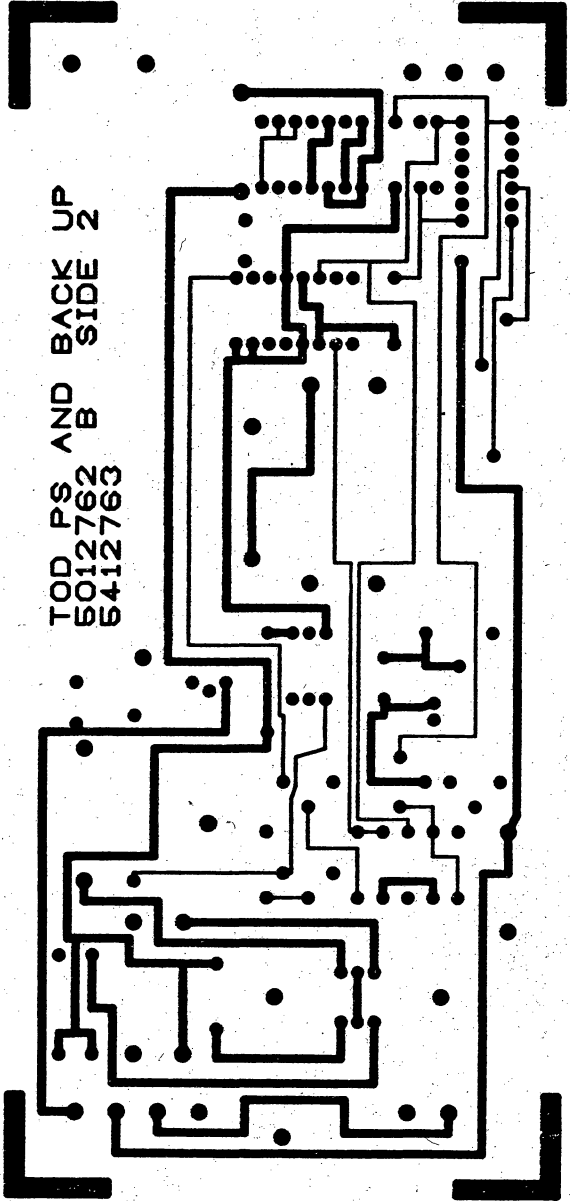
VIEWED FROM SIDE 1

REVISIONS		
CHK	CHANGE NO.	REV.

TITLE	SIZE CODE	NUMBER	REV.
TOD PS & BACK UP	DUA5412763	-0-0	B
SCALE 2:1	SHEET 2 OF 3	DIST.	

1254

"THE DRAWING AND SPECIFICATIONS HEREIN ARE THE PROPERTY OF DIGITAL EQUIPMENT CORPORATION AND SHALL NOT BE REPRODUCED OR COPIED OR USED IN WHOLE OR IN PART AS THE BASIS FOR THE MANUFACTURE OR SALE OF ITEMS WITHOUT WRITTEN PERMISSION. COPYRIGHT © 1977 DIGITAL EQUIPMENT CORPORATION"



TOD PS AND BACK UP
5012762 B
5412763

VIEWED FROM SIDE 2

REVISIONS		
CHK	CHANGE NO.	REV.

TITLE TOD PS & BACK UP		SIZE CODE D	NUMBER UA5412763 -0-0	REV. B
SCALE 2:1	SHEET 3 OF 3	DIST.		

DUA5412763 -0-0 B

1255

DIGITAL EQUIPMENT CORPORATION PARTS LIST				QUANTITY / VARIATION												NOTES:
MADE BY K. DAVIS DATE 6/10/77		CHECKED <i>[Signature]</i> DATE 6/10/77		5412763-0-0												
ENG Bob Kennedy <i>[Signature]</i> DATE 6/15/77		PROD <i>[Signature]</i> DATE 8 Aug 77														
		SECTION 1														
		ISSUED SECTION 1														
ITEM NO.	DRAWING NO.	PART NO.	DESCRIPTION													REF DESIGNATION
1	D-MD-5012762-0-0	5012762	ETCH BOARD	1												
2		1002781-00	CAP., 100 UF, 25V, 20% ALEL	2												C2, C4
3		1001610-01	CAP., .01 UF, 100V DISC	1												C3
4		1010031-08	CAP., 1.5 UF, 50V, 10% MP	1												C6
5		1010274-00	CAP., .22 UF, 50, 10% CER	2												C5, C7
6		1011607-00	CAP., 1900 UF, 40V AL EL	1												C1
7		1100122-00	DIODE, 1N748AVZ, 3.9V, 5%	1												D10
8		1105796-00	DIODE, 1N4004, 400V, 1A	8												D1 THRU D6, D11, D12
9		1110925-00	DIODE, ITT429VZ, 5.1V, 2%	1												D8
10		1104860-00	DIODE, 1N746A, 3.3V, 400MV, 5%	1												D7
11		1110864-00	LED, 2MCD, 10 MA	1												D9
12		1203193-00	RELAY, REED, 12V, 1A, SPST	1												K1
13		1209159-00	FUSE, .500A, 125V	1												F1
14		1211751-00	FUSE, 2A, 125V	1												F2
15		1212297-00	HEADER, UNIVERSAL (2 PIN)	1												J1
16		1212297-01	HEADER, UNIVERSAL (4 PIN)	1												J3
17		1212297-03	HEADER, UNIVERSAL (3 PIN)	1												J2
18		1213921-02	HEAT SINK, ALUMNUM 2" HIGH	1												
19		1305253-00	RES., 7.15K, 1/4W, 1%	1												R15
20		1301422-00	RES., 7.5K, 1/4W, 5%	1												R17
21		1302391-00	RES., 20K, 1/4W, 5%	2												R5, R6

"THIS DRAWING AND SPECIFICATIONS, HEREIN, ARE THE PROPERTY OF DIGITAL EQUIPMENT CORPORATION AND SHALL NOT BE REPRODUCED OR COPIED OR USED IN WHOLE OR IN PART AS THE BASIS FOR THE MANUFACTURE OR SALE OF ITEMS WITHOUT WRITTEN PERMISSION. COPYRIGHT © 1977 DIGITAL EQUIPMENT CORPORATION"

TITLE
TOD PS & BACK UP

ASSY NO.
D-UA-5412763-0-0

SIZE CODE NUMBER
B PL 5412763-0-0

REV.
B

SHEET 1 OF 3

INSERTION PARTS LIST DATA BASE REV C

DIGITAL EQUIPMENT CORPORATION PARTS LIST

MADE BY K. DAVIS	CHECKED <i>[Signature]</i>	SECTION 1
DATE 6/10/77	DATE 8/17/77	
ENG <i>Bob Conroy (P&M)</i>	PROD <i>El Blan</i>	ISSUED SECTION 1
DATE 8 Aug 77	DATE 8 Aug 77	

QUANTITY / VARIATION											
5412263-0-0											

NOTES:

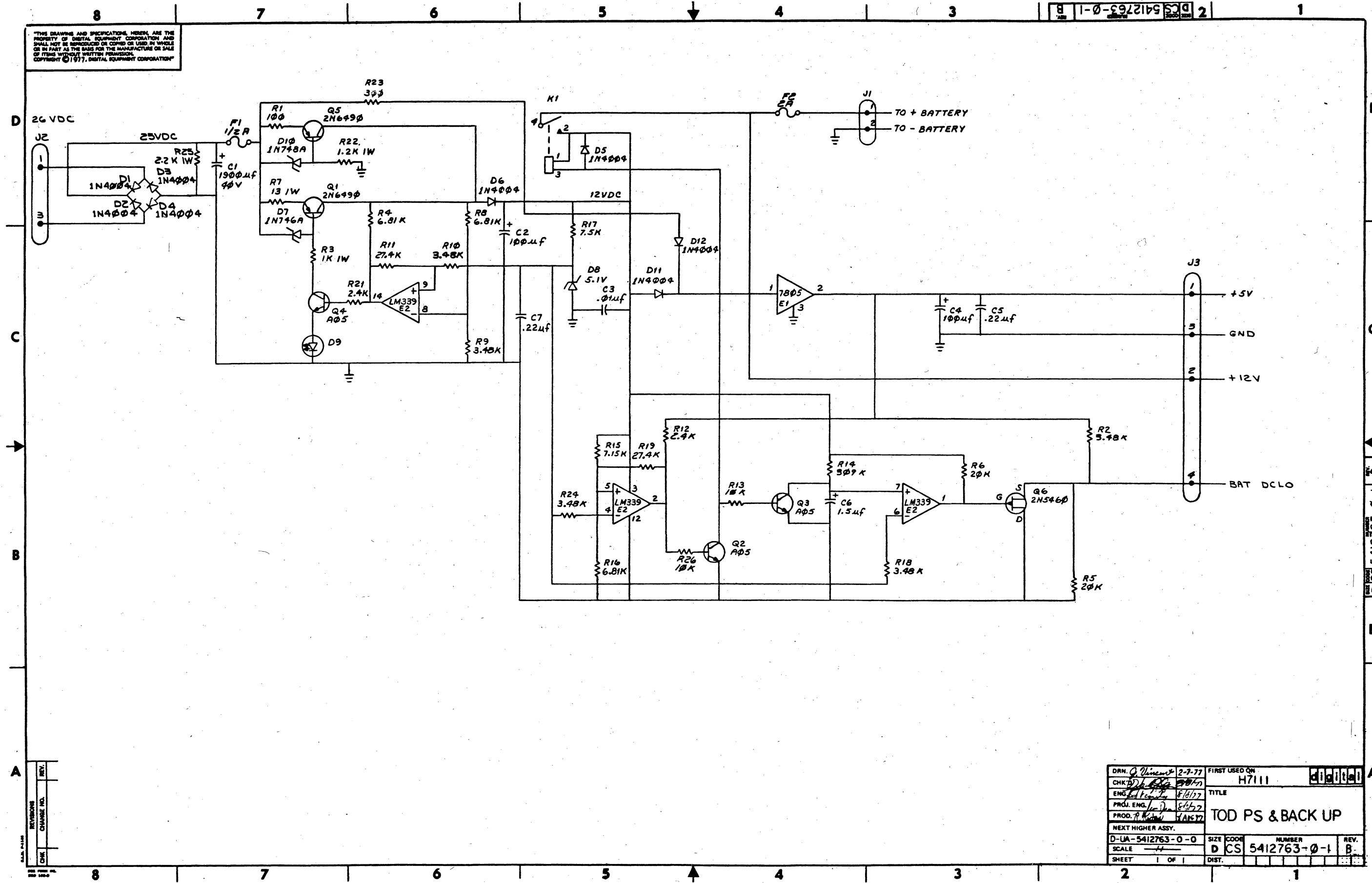
ITEM NO.	DRAWING NO.	PART NO.	DESCRIPTION	5412263-0-0	REF DESIGNATION
22		1303177-00	RES., 2.4K, 1/4W, 5%	2	R12, R21
23		1305114-00	RES., 3.48K, 1/4W, 1%	5	R2, R9, R10, R18, R24
24		1300479-00	RES., 10K, 1/4W, 5%	2	R13, R26
25		1304870-00	RES., 6.81K, 1/4W, 1%	3	R4, R8, R16
26		1305425-00	RES., 309K, 1/4W, 1%	1	R14
27		1309417-00	RES., 27.4K, 1/4W, 1%	2	R11, R19
28		1300291-00	RES., 300, 1/2W, 5%	1	R23
29		1312466-03	RES., 13, 1W, 1%	1	R7
30		1302950-00	RES., 1.2K, 1W, 10%	1	R22
31		1300420-00	RES., 2.2K, 1W, 10%	1	R25
32		1300368-00	RES., 1K, 1W, 5%	1	R3
33		1302858-00	RES., 100, 1/4W, 1%	1	R1
34		1510233-00	TRANS., 2N5460	1	Q6
35		1510705-00	TRANS., A05	3	Q2, Q3, Q4
36		1512652-00	TRANS., 2N6490	2	Q1, Q5
37		1912108-00	I.C., LM339	1	E2
38		1912536-00	I.C., DEC 7805	1	E1
39		9009236-01	SCR., PH HD 4-40 SELF TAP	2	
40		9006011-01	SCR., PH PAN HD 4-40 X .38	1	
41		9009769-00	WASHER, RECTANGULAR	3	
42		9006658-00	WASHER, FLAT #4	3	

<p style="font-size: small;">"THIS DRAWING AND SPECIFICATIONS, HEREIN, ARE THE PROPERTY OF DIGITAL EQUIPMENT CORPORATION AND SHALL NOT BE REPRODUCED OR COPIED OR USED IN WHOLE OR IN PART AS THE BASIS FOR THE MANUFACTURE OR SALE OF ITEMS WITHOUT WRITTEN PERMISSION. COPYRIGHT © 1977 DIGITAL EQUIPMENT CORPORATION"</p>	<p>TITLE TOD PS & BACK UP</p>	<p>ASSY NO. D-UA-5412763-0-0</p>	<p>SIZE B</p>	<p>CODE PL</p>	<p>NUMBER 5412763-0-0</p>	<p>REV. B</p>
		<p>SHEET 2 OF 3</p>	<p>INSERTION PARTS LIST DATA BASE REV C</p>			

1257

THIS DRAWING AND SPECIFICATIONS HEREIN ARE THE PROPERTY OF DIGITAL EQUIPMENT CORPORATION AND SHALL NOT BE REPRODUCED OR COPIED OR USED IN WHOLE OR IN PART AS THE BASIS FOR THE MANUFACTURE OR SALE OF ITEMS WITHOUT WRITTEN PERMISSION. COPYRIGHT © 1977, DIGITAL EQUIPMENT CORPORATION

D CS 5412763-0-1 B 2



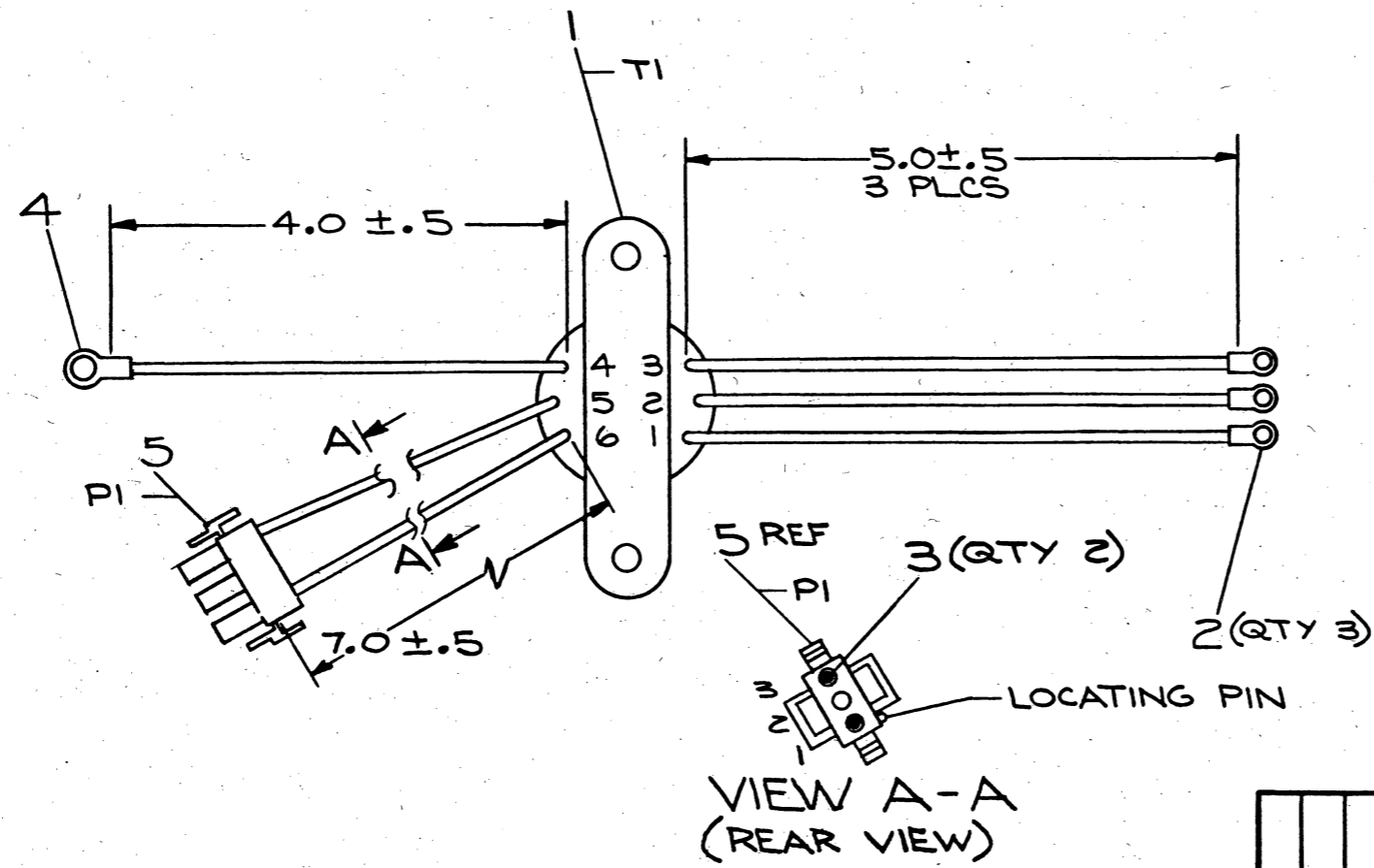
REV.	
CHANGE NO.	
DATE	

DRN. <i>J. Minerva</i>	2-7-77	FIRST USED ON	H7111
CHK'D <i>[Signature]</i>	8/1/77	TITLE	TOD PS & BACK UP
ENG. <i>[Signature]</i>	8/1/77		
PROD. ENG. <i>[Signature]</i>	8/1/77		
PROD. P. <i>[Signature]</i>	8/1/77		
NEXT HIGHER ASSY.			
D-UA-5412763-0-0	SIZE CODE	NUMBER	REV.
SCALE	D CS	5412763-0-1	B
SHEET	1 OF 1	DIST.	

1259

"THIS DRAWING AND SPECIFICATIONS HEREIN ARE THE PROPERTY OF DIGITAL EQUIPMENT CORPORATION AND SHALL NOT BE REPRODUCED OR COPIED OR USED IN WHOLE OR IN PART AS THE BASIS FOR THE MANUFACTURE OR SALE OF ITEMS WITHOUT WRITTEN PERMISSION. COPYRIGHT © 1977 DIGITAL EQUIPMENT CORPORATION"

WIRE TABLE								
ITEM NO	DESCRIPTION		FROM		TO		REMARKS	WIRE LENGTH (REF)
	AWG	COLOR	CONN	WITH	CONN	WITH		
1	*18	WHT	TI-1	---	---	2		5.0 ± .5
		BLK	TI-2	---	---	2		5.0 ± .5
		RED	TI-3	---	---	2		5.0 ± .5
		GRN/YEL	TI-4	---	---	4		4.0 ± .5
		BLU	TI-5	---	PI-3	3 & 5		7.0 ± .5
	*18	BLU	TI-6	---	PI-1	3 & 5		7.0 ± .5



ITEM NO	DESCRIPTION	DWG/PART NO.	ITEM NO.
1	CONN, PLUG (3 SKT)	1212167-00	5
1	TERM, RING #10 HOLE	9007930-00	4
2	CONTACT, SKT (14-20 AWG)	1212170-00	3
3	TERM, RING TONGUE #6	9007929-00	2
1	XMFR, POWER (120, 240V)	1613975-00	1

THIRD ANGLE PROJECTION		FIRST USED ON	
REMOVE BURRS AND BREAK SHARP CORNERS		H7111	
DO NOT SCALE DWG		TITLE	
MATERIAL SEE PARTS LIST		XMFR ASSY	
FINISH		SIZE	CODE
		C	IA
		NUMBER	REV.
		7014080-0-0	
SHEET		OF	DIST.

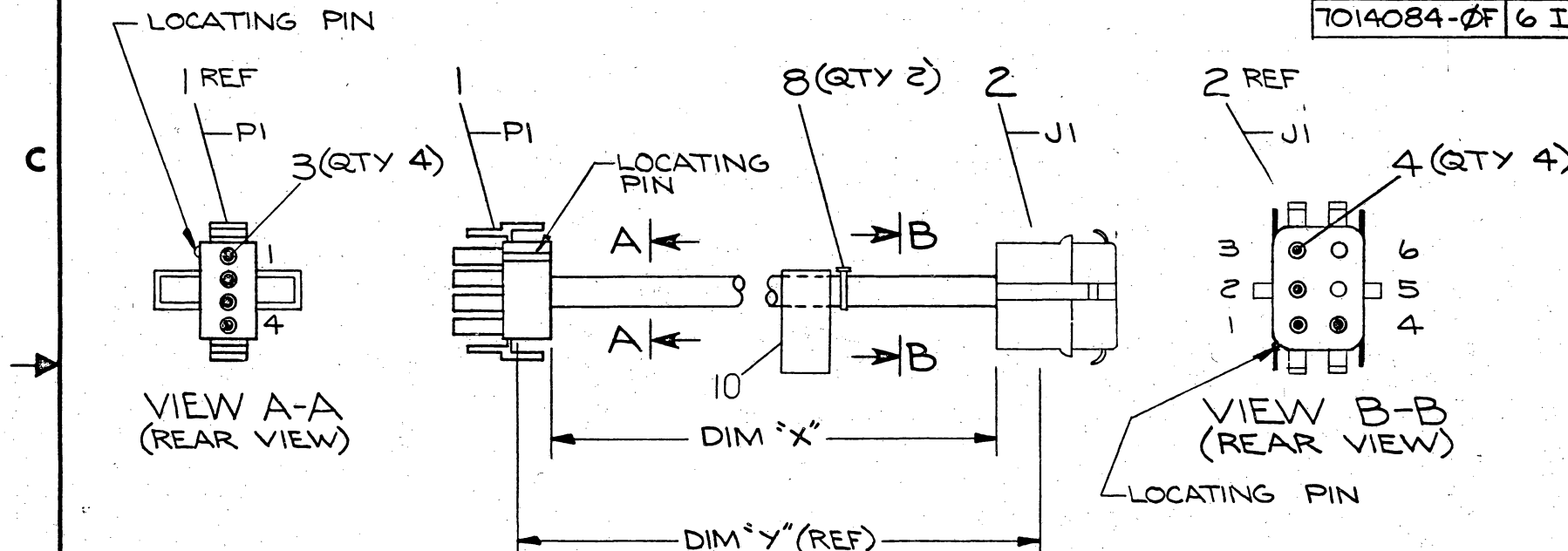
REV.	CHANGE NO.

REV. NUMBER C1A7014080-0-0

"THIS DRAWING AND SPECIFICATIONS, HEREIN, ARE THE PROPERTY OF DIGITAL EQUIPMENT CORPORATION AND SHALL NOT BE REPRODUCED OR COPIED OR USED IN WHOLE OR IN PART AS THE BASIS FOR THE MANUFACTURE OR SALE OF ITEMS WITHOUT WRITTEN PERMISSION. COPYRIGHT © 1977 DIGITAL EQUIPMENT CORPORATION"

WIRE TABLE							
ITEM NO	DESCRIPTION		FROM		TO		REMARKS
	AWG	COLOR	CONN	WITH	CONN	WITH	
6	*18	RED	PI-1	1 & 3	J1-1	2 & 4	
5	*18	BLK	PI-3	1 & 3	J1-3	2 & 4	
7	*18	GRY	PI-4	1 & 3	J1-4	2 & 4	
9	*18	BRN	PI-2	1 & 3	J1-2	2 & 4	

LEGEND		
NUMBER	DIM "X" VARIATION	DIM "Y" (PRE-CUT) REF
7014084-0F	6 IN ± .5 IN	7 IN ± .5 IN



CAUTION: OFF SHEET PARTS LIST
SEE K-PL-7014084-0-DBP (Z3002)

REV.	CHANGE NO.	DATE	BY	CHK
A	1	10-AUG-81	K. KNOWLES	

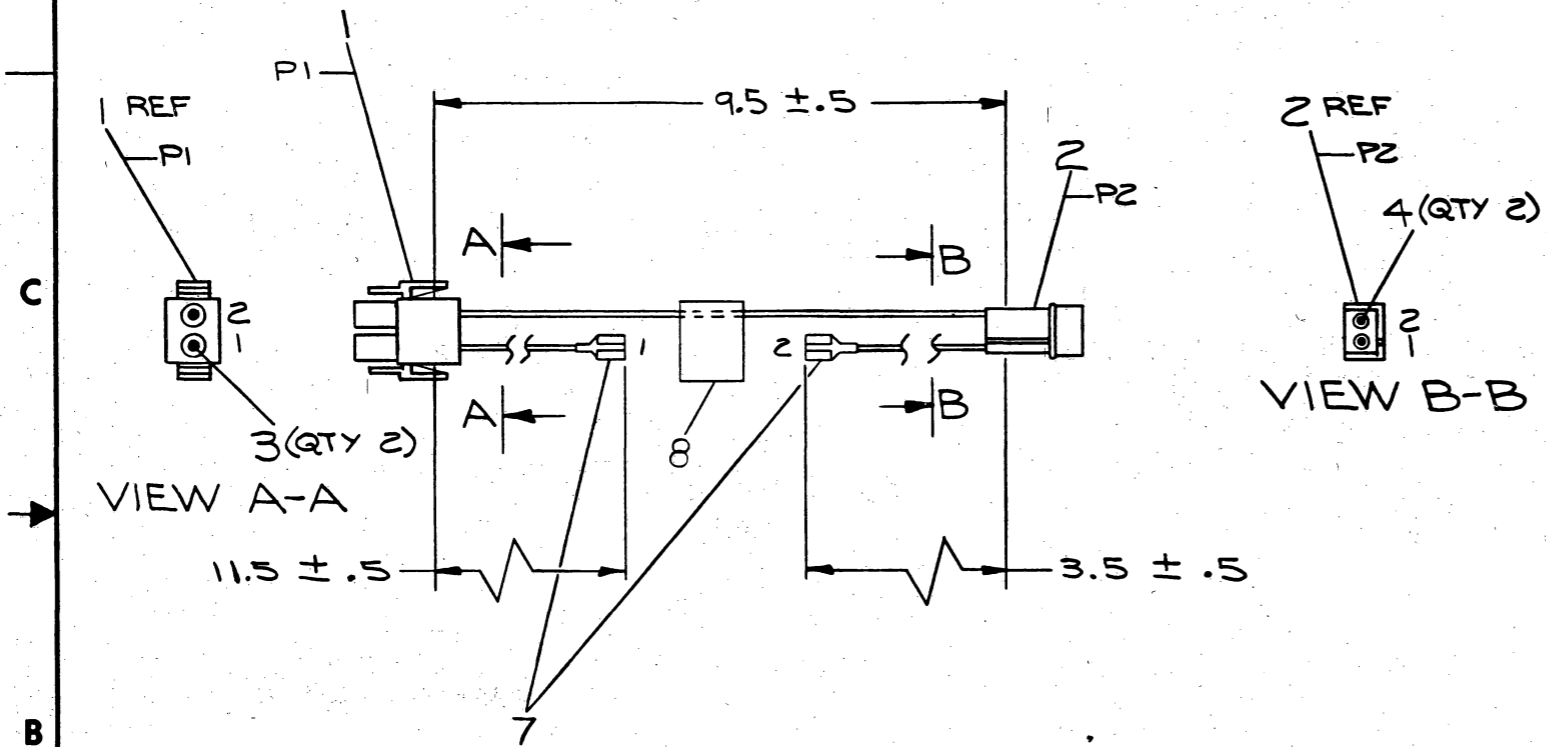
QUANTITY & VARIATION	DESCRIPTION	DWG./PART NO.	ITEM NO.
	UNLESS OTHERWISE SPECIFIED DIMENSIONS ARE IN INCHES		
THIRD ANGLE PROJECTION	ANGLES ±0° 30'	CLASS OF ACCURACY (CHECK ONE)	NOMINAL DIMENSION RANGE INCHES
	SURFACE QUALITY IN MICROINCHES	MEDIUM <input type="checkbox"/> ±.004 ±.008 ±.012 ±.016 ±.024 ±.04	PREFERRED <input type="checkbox"/> ±.012 ±.016 ±.025 ±.04 ±.063 ±.1
REMOVE BURRS AND BREAK SHARP CORNERS	DRN: [Signature]	FIRST USED ON	H7111 digital
DO NOT SCALE DWG	CHK'D: [Signature]	TITLE	CABLE ASSY (H7111)
MATERIAL SEE PARTS LIST	PROJ. ENG. [Signature]	SIZE	C I A 7014084-0-0
FINISH	PROD. [Signature]	SCALE	NONE
	DO NOT SCALE DWG	SHEET	OF

SIZE CODE C I A 7014084-0-0
 NUMBER 7014084-0-0
 REV. A

1261

"THIS DRAWING AND SPECIFICATIONS HEREIN ARE THE PROPERTY OF DIGITAL EQUIPMENT CORPORATION AND SHALL NOT BE REPRODUCED OR COPIED OR USED IN WHOLE OR IN PART AS THE BASIS FOR THE MANUFACTURE OR SALE OF ITEMS WITHOUT WRITTEN PERMISSION. COPYRIGHT © 1977 DIGITAL EQUIPMENT CORPORATION"

WIRE TABLE						
ITEM NO	DESCRIPTION	FROM	TO		REMARKS	
			CONN WITH	CONN WITH		
5	*18 BLK	P1-2	1 & 3	P2-2	2 & 4	
6	*20 RED	P1-1	1 & 3	1	7	
6	*20 RED	2	7	P2-1	2 & 4	



CAUTION SEE OFF SHEETS PARTS LIST K-FL-7014160-0-DBP. (Z2987)-PLS)

REV.	CHANGE NO.	DATE	BY	DESCRIPTION
A	H7111-00001	NOV 17	B. KETTINELY	REVISED TO 27/12/77
B	7014160-00001	DEC 77	J. DREW	REVISED TO 27/12/77
C	7014160-TW002			REVISED TO 11/1/79
D	7014160-TW003			REVISED TO 15 FEB 1980

QUANTITY & VARIATION	DESCRIPTION	DWG./PART NO.	ITEM NO.																		
THIRD ANGLE PROJECTION	UNLESS OTHERWISE SPECIFIED DIMENSIONS ARE IN INCHES																				
REMOVE BURRS AND BREAK SHARP CORNERS	ANGLES 30° 30'	CLASS OF ACCURACY (CHECK ONE)	NOMINAL DIMENSION RANGE INCHES																		
DO NOT SCALE DWG	SURFACE QUALITY IN MICROINCHES	MEDIUM <input type="checkbox"/>	<table border="1"> <tr> <th>OVER 0 TO 0.2</th> <th>OVER 0.2 TO 1.2</th> <th>OVER 1.2 TO 4.0</th> <th>OVER 4.0 TO 12.0</th> <th>OVER 12.0 TO 40.0</th> <th>OVER 40.0 TO 80.0</th> </tr> <tr> <td>±.004</td> <td>±.008</td> <td>±.012</td> <td>±.016</td> <td>±.024</td> <td>±.04</td> </tr> <tr> <td>PREFERRED <input type="checkbox"/></td> <td>±.012</td> <td>±.016</td> <td>±.025</td> <td>±.04</td> <td>±.063</td> </tr> </table>	OVER 0 TO 0.2	OVER 0.2 TO 1.2	OVER 1.2 TO 4.0	OVER 4.0 TO 12.0	OVER 12.0 TO 40.0	OVER 40.0 TO 80.0	±.004	±.008	±.012	±.016	±.024	±.04	PREFERRED <input type="checkbox"/>	±.012	±.016	±.025	±.04	±.063
OVER 0 TO 0.2	OVER 0.2 TO 1.2	OVER 1.2 TO 4.0	OVER 4.0 TO 12.0	OVER 12.0 TO 40.0	OVER 40.0 TO 80.0																
±.004	±.008	±.012	±.016	±.024	±.04																
PREFERRED <input type="checkbox"/>	±.012	±.016	±.025	±.04	±.063																
MATERIAL SEE PARTS LIST	DRN: [Signature]	FIRST USED ON H7111	digital																		
FINISH	ENG: [Signature]	TITLE JUMPER (H7111)																			
	PROD: [Signature]	SIZE CODE C	NUMBER 7014160-0-0																		
		SHEET 1 OF 1	REV. D																		

DATE CODE NUMBER C IA 7014160-0-0 D

