

PROJECT NO.	NAME	MACH	PART NO.	E C NO.	LOGIC NO.
	LOGIC INDEX	2821UCB	2532431	133298	00.00.11.0
		PREV EC 131802	DATE 022668		

FR CH	LOGIC NO.	LOGIC NAME	PART NO.	E C NO.
21 A1	00.02.11.1	CIRCUIT-CARD LOCATION CHART	2532430	133298
21 A1	31.11.03.1	LINE DRIVERS-BUS-IN LINES	2532432	130814
21 A1	31.11.04.1	LINE DRIVERS-INTERFACE-IN LINES	2532433	130814
21 A1	31.11.05.1	BUS IN PARITY GENERATOR AND CHECK	837850	125601
21 A1	31.11.06.1	BUS IN PARITY GENERATOR	837851	125655
21 A1	31.11.07.1	BUS OUT PARITY CHECK	837852	125601
21 A1	31.11.08.1	BUS OUT CHECK+2ND,4TH BYTE COUNTER	837853	125598
21 A1	31.11.11.1	OUT TAG LINE DELAYS	837854	125617
21 A1	31.11.12.1	IN TAG LINE DELAYS	837855	125672
21 A1	31.11.13.0	SEL OUT BYPASS REV OF SEL OUT+SEL IN	2533512	131515
21 A1	31.11.13.1	SEL OUT PROP + SEL IN SEL OUT BYPASS	2532434	130814
21 A1	31.11.21.1	TEST I-O ADDRESS IN BURST SW CTRLS	837857	125672
21 A1	31.11.31.1	LINE REC BUS OUT 0,1	837858	130813
21 A1	31.11.32.1	LINE REC BUS OUT 4,5	837859	130813
21 A1	31.11.33.1	LINE REC BUS OUT 7,P	837860	130813
21 A1	31.11.34.1	LINE REC-SELECT,CLOCK,METER OUT	2532435	130814
21 A1	31.11.35.1	LINE REC-ADDRESS,SUPPRESS,OP OUT	2532436	130814
21 A1	31.11.36.1	LINE REC-COMMAND, SERVICE OUT	837863	130813
21 A1	31.11.37.1	LINE REC BUS OUT 2,3	837864	130813
21 A1	31.11.38.1	LINE REC BUS OUT 6+2821 METER CTRLS	2532437	130814
21 A1	31.11.99.0	2821 SERPENT CONNECTORS	827006	133298
21 A1	33.13.01.1	PRINT OPERATIONAL IN	837866	131802
21 A1	33.13.13.1	DIAGNOSTIC WRITE, CHECK READ LATCHES	837867	125598
21 A1	33.13.21.1	PRINT SERVICE AND STATUS IN	837868	125655
21 A1	33.13.32.1	PRT ADAPT REQ,RESET,INTERRUPT REQ	837869	125672
21 A1	33.13.41.1	4 BYTE CONTROL AND PRT COMMAND GATE	837870	125672
21 A1	33.13.51.1	PRT QUEUED,BUSY-1403 ONLINE CTRL	837871	131802
21 A1	33.13.54.1	PRINTER CH END AND DEVICE END STATUS	837872	133298
21 A1	33.13.56.1	PRT UNIT CK,INTERV REQD,INITIAL RDY	837873	133298
21 A1	33.13.62.1	PRT INVALID CMMD PRT. BUS OUT CHK	837874	125632
21 A1	33.13.71.1	PRINT CONTROL GATES	837875	121598
21 A1	33.13.82.0	PRINT ADDRESS PLUGGABLE CARD	826847	121550F
21 A1	33.13.82.1	PRT BUS IN MIX 0-1 AND PRT ADDR IN	837876	121596
21 A1	33.13.83.1	PRT BUS IN MIX 2-3	837877	124248
21 A1	33.13.84.1	PRT BUS IN MIX 4 AND 5	837878	125632
21 A1	33.13.85.1	PRT BUS IN MIX 6,7 AND P	837879	124270
21 A1	33.33.20.1	SUB SCAN RING	837880	124249
21 A1	33.33.21.1	SYNC CHECK BAR SET AND ADV	837881	125655
21 A1	33.33.22.1	P C G ADJUST AND ADVANCE BY 1 CTRL	837882	133298
21 A1	33.33.28.1	PRINT COMPARE INPUTS	837883	124270
21 A1	43.34.14.1	BLOCK DATA CHK LAT + COMD CHAIN CTRL	848981	130806
21 A1	43.34.15.1	UCB LOAD FORMAT CONTROLS	837884	130806

PROJECT NO. NAME MACH PART NO. E C NO. LOGIC NO.  
 LOGIC INDEX 2821UCB 0837886 131802 00.00.20.0  
 PREV EC 130806 DATE 071967

FR CH	LOGIC NO.	LOGIC NAME	PART NO.	E C NO.
21 A2	00.02.20.1	CIRCUIT CARD LOCATION CHART	837789	130806
21 A2	33.05.01.0	CE. SHARED PANEL CONN 41-1403 UCS	838019	131802
21 A2	43.34.05.1	UCB LINE FULL AND HOME PULSE GATE	837830	130806
21 A2	43.34.11.1	BUFFER ADDRESS REGISTER CONTROLS	837831	130806
21 A2	43.34.12.1	BUFFER ADDR REG ADVANCE CONTROLS	837832	124272
21 A2	43.34.21.1	BUFFER ADDRESS REGISTER UNITS	837833	131802
21 A2	43.34.23.1	BUFFER ADDRESS REGISTER TENS	837834	125673
21 A2	43.34.25.1	BUFFER SWITCH CORE MATRIX SET RESET	837835	125673
21 A2	43.34.26.1	BUFFER ADDRESS REGISTER CHECK	837847	130806
21 A2	43.34.31.1	SW CORE MATRIX-VR CONTROL-LOAD CDS	837836	125673
21 A2	43.34.33.1	UCB DATA REG P,7,6 AND INHIBITS	837842	125673
21 A2	43.34.34.1	UCB DATA REG 5,4,3 AND INHIBITS	837843	125673
21 A2	43.34.35.1	UCB DATA REG 2,1,0 AND INHIBITS	837844	125673
21 A2	43.34.36.1	PARITY CHECK 01234567	837845	121570M
21 A2	43.34.37.1	PARITY CK P BIT AND UNPRINTABLE CHAR	837846	125673
21 A2	43.34.41.0	UCB STORAGE MATRIX SWITCH 7,DJA-□	838037	124249
21 A2	43.34.42.0	UNIVERSAL CHARACTER BUFFER	838036	125673
21 A2	43.34.43.0	UNIVERSAL CHAR BUFFER ADDRESSING	838035	125673

PROJECT NO.	NAME	MACH	PART NO.	E C NO.	LOGIC NO.
	LOGIC INDEX	2821PR	0826823	133298	00.00.30.0
		PREV EC 131802	DATE 121967		

FR CH.	LOGIC NO.	LOGIC NAME	PART NO.	E C NO.
21 A3	00.02.30.1	CIRCUIT CARD LOCATION CHART	826349	131802
21 A3	21.04.01.0	1403 SUMMARY CONNECTOR NO1	826923	125634
21 A3	21.04.11.0	1403 SUMMARY CONNECTOR NO1	837986	125673
21 A3	22.04.01.0	1403 SUMMARY CONNECTOR NO2	837987	124248
21 A3	22.04.11.0	1403 SUMMARY CONNECTOR NO2	837988	125672
21 A3	33.05.01.0	CE SHARED PANEL CONN NO1 1403	826924	131802
21 A3	33.13.11.1	PRT COMMAND LATCHES	826549	125672
21 A3	33.13.12.1	PRT READ AND WRITE LATCHES	826550	125656
21 A3	33.13.53.1	PRINTER STATUS LATCHES	826551	121598
21 A3	33.13.61.0	PRINT ADDRESS PLUGGABLE CARD	826844	131802
21 A3	33.13.61.1	PRINTER SENSE LATCHES + CHAN REQ	826552	125672
21 A3	33.32.00.1	INTEGRATED SLOW BRUSHES 1-12	826553	124237
21 A3	33.32.01.1	SLOW BRUSH LATCHES 1-8	826554	124237
21 A3	33.32.02.1	SLOW BRUSH LATCHES 9-12	826555	124237
21 A3	33.32.03.1	INTEGRATED STOP BRUSHES 1-12	826556	121550M
21 A3	33.32.04.1	STOP BRUSH ENCODER AND 9 AND 12	826557	124270
21 A3	33.32.05.1	CARRIAGE CHANNEL REGISTER	826558	125633
21 A3	33.32.06.1	CARRIAGE CONTROL	826559	124272
21 A3	33.32.07.1	OFF LINE SIGNALS	826560	125673
21 A3	33.32.10.1	CARRIAGE CONTROL REGISTER 0-4	826561	125656
21 A3	33.32.11.1	COMPARE SKIP EQUAL CARR DR TR	826562	125673
21 A3	33.32.12.1	CARRIAGE ENDING, CHAN REG SET RESET	826563	125617
21 A3	33.32.13.1	SP RESTORE	826564	124270
21 A3	33.32.14.1	SPACE 1,2,3-CARR GO FORMS CK LAT	826565	125673
21 A3	33.32.15.1	SLOW BRUSH DECODE	826566	124270
21 A3	33.32.16.1	SLOW CHANNEL DECODE	826567	125656
21 A3	33.32.17.1	CARR DRIVE-HIGH LOW, START, STOP	826568	125672
21 A3	33.33.00.1	PSS, HOME GATE AND TRAIN READY TR	826569	125672
21 A3	33.33.01.1	START-RUN LATCHES MACHINE RESET	826570	133298
21 A3	33.33.02.1	STORAGE FULL CY PR GATE PRINT TR	826571	133298
21 A3	33.33.03.1	PRINTER BUSY, PRINT SCAN WRITE GATE	826572	125656
21 A3	33.33.04.1	PR HAMMER DRIVERS U1 TO-T13	826573	125601
21 A3	33.33.05.1	PR HAMMER DRIVERS U2 TO-T13	826574	125601
21 A3	33.33.06.1	PR HAMMER DRIVERS U3 AND U4 TO-T6	826723	125601
21 A3	33.33.07.1	PR HAMMER DRIVERS U3 AND U4 T7-T12	826724	125601
21 A3	33.33.08.1	PR HAMMER DRIVERS U6 AND U7 TO-T6	826725	125601
21 A3	33.33.09.1	PR HAMMER DRIVERS U6 AND U7 T7-T12	826726	125601
21 A3	33.33.10.1	PR HAMMER DRIVERS U5 AND U8 TO-T6	826727	125601
21 A3	33.33.11.1	PR HAMMER DRIVERS U5 AND U8 T7-T12	826728	125601
21 A3	33.33.12.1	PR HAMMER DRIVERS U9 AND U0 TO-T6	826729	125601
21 A3	33.33.13.1	PR HAMMER DRIVERS U9 AND U0 T6-T13	826730	125601
21 A3	43.32.00.1	STL TAPE DRIVES 1-8 STL MODE SW	826731	124272
21 A3	43.32.01.1	STL TAPE CONTROL REGISTER 1-3	826732	121567

2-1

PROJECT NO.	NAME	MACH	PART NO.	E C NO.	LOGIC NO.
	LOGIC INDEX	2821 PR	0826825	131802	00.00.40.0
		PREV EC 125673	DATE 052667		

FR CH	LOGIC NO.	LOGIC NAME	PART NO.	E C NO.
21 A4	00.02.40.1	CIRCUIT CARD LOCATION CHART	826369	131802
21 A4	33.23.00.1	STORAGE ADDRESS REGISTER UNITS	826575	124270
21 A4	33.23.01.1	STORAGE UNITS BIAS DRIVE	826576	125673
21 A4	33.23.02.1	STORAGE ADDRESS REGISTER TENS	826577	124265
21 A4	33.23.03.1	STORAGE TENS BIAS DRIVE	826578	125673
21 A4	33.23.04.1	STORAGE SWITCH CORE MATRIX SET-RESET	826579	125673
21 A4	33.23.05.1	BUFFER DATA REG 1,2,4 AND INHIBITS	826580	125673
21 A4	33.23.06.1	BUFFER DATA REG 0,A,B AND INHIBITS	826581	125673
21 A4	33.23.07.1	BUFFER REGISTER C, PLC AND INHIBITS	826582	125673
21 A4	33.23.08.1	BUFFER REG CHECK PLANES AND INHIBITS	826583	125673
21 A4	33.23.09.1	SW CORE MATRIX-VR CONTROL-LOAD CDS	826584	125673
21 A4	33.23.10.1	STORAGE PARITY CHECK	826585	125617
21 A4	33.23.11.1	PRINT LINE COMPLETE CHECK	826586	125634
21 A4	33.23.12.0	HAMMER RESPONSE LINES CHART	826587	121572
21 A4	33.23.13.0	STORAGE MATRIX SW DJA-	826588	131802
21 A4	33.23.14.0	PRINT STORAGE	826589	121572
21 A4	33.23.15.0	PRINT STORAGE TIMING PULSES	826590	121572
21 A4	33.23.16.0	PRINT STORAGE +1 AND +3 ADVANCE	826591	121572
21 A4	33.33.41.1	STORAGE CLOCK CONTROL	826596	125673
21 A4	33.33.42.1	PRINT STORAGE CLOCK	826597	131802
21 A4	33.33.43.1	PRINT CONTROL CLOCK PULSES	826598	124236
21 A4	33.33.44.1	CLOCK PULSES AND STORAGE ENTRY	826599	121572
21 A4	33.33.45.1	PRINT COMPARE	826600	125673
21 A4	33.33.46.1	PRINT COMPARE READ COMPARE LATCHES	826601	131802
21 A4	33.33.47.1	HAMMER CHECK LATCH	826733	125617
21 A4	33.33.48.1	STORAGE TENS HAMMER DRIVE 0-7	826734	121567
21 A4	33.33.49.1	STORAGE TENS HAMMER DRIVE 8-13	826735	121567
21 A4	43.34.18.1	BUFFER DATA REG6,7AND INHIBITS *UCB	827112	125673

PROJECT NO.	NAME	MACH	PART NO.	E C NO.	LOGIC NO.
	LOGIC INDEX	2821RP	0826827	133298	00.01.10.0
		PREV EC 131803	DATE 022668		

FR CH	LOGIC NO.	LOGIC NAME	PART NO.	E C NO.
21 81	00.03.10.1	CIRCUIT CARD LOCATION CHART	826389	133298
21 81	32.11.01.1	RDR PCH SERVICE IN	826602	133298
21 81	32.11.03.1	RDR-PCH STATUS IN	826603	133298
21 81	32.11.04.1	2 BYTE XFR CTRLS+SERVICE REQUESTS	826604	125674
21 81	32.11.12.1	CHANNEL REGISTER 0+1	826605	125636
21 81	32.11.13.1	CHANNEL REGISTER 2+3	826606	125636
21 81	32.11.14.1	CHANNEL REGISTER 4 AND 5	826607	124270
21 81	32.11.15.1	CHANNEL REGISTER 6 AND 7	826608	125636
21 81	32.11.16.1	CHAN REG FULL LATCH + OFF LINE CTRLS	826609	125647
21 81	32.11.21.1	RDR PCH BUS IN GATES+BUS IN 0,1	826610	125636
21 81	32.11.23.1	RDR PCH BUS IN MIX 2 AND 5	826611	125636
21 81	32.11.24.1	RDR PCH BUS IN MIX 3	826612	124248
21 81	32.11.25.1	RDR PCH BUS IN MIX 4	826613	121550K
21 81	32.11.26.1	RDR-PCH BUS IN MIX 6	826614	125636
21 81	32.11.27.1	RDR PCH BUS IN MIX 7+P	826615	125636
21 81	32.12.02.1	RDR READ,CONTROL,+SENSE	826616	125636
21 81	32.12.03.1	RDR MOD 0+1,RDR QUEUED ON INIT SEL	826617	125636
21 81	32.12.11.1	RDR ADAPTER REQUEST + ADAPTER RESET	826618	131803
21 81	32.12.12.0	REDER ADDRESS PLUGGABLE CHART	826845	124270
21 81	32.12.12.1	RDR ADDRESS CARDS	826619	124265
21 81	32.12.14.1	RDR OPERATIONAL IN	826620	125636
21 81	32.12.21.1	RDR BUSY RDR CHANNEL END	826621	125633
21 81	32.12.22.1	RDR DEVICE END RDR UNIT CHECK	826622	125633
21 81	32.12.31.1	RDR BUS OUT CHECK	826623	124270
21 81	32.12.32.1	RDR COMMAND REJECT LATCH	826624	124270
21 81	32.12.33.1	RDR UNUSUAL COMMAND SENSE LATCH	826625	125601
21 81	32.12.34.1	RDR DATA CHK,EQMT CHK,INTERVEN REQD	826626	125647
21 81	32.12.40.1	READ FEED CE CONTROL	826627	124270
21 81	32.12.41.1	RDR-TRANS REQ CTRLS + RD FEED GATE	826628	125616
21 81	32.12.42.1	RDR INTERRUPT REQ, QUEUED, READY END	826629	125633
21 81	32.13.02.1	PCH WRITE,SENSE,QUEUED ON INIT SEL	826630	125633
21 81	32.13.03.1	PCH 0 BIT MODIFIER PCH 1 BIT MOD	826631	121567
21 81	32.13.11.1	PCH ADAPTER REQUEST + ADAPTER RESET	826632	125633
21 81	32.13.12.0	PUNCH ADDRESS PLUGGABLE CHART	826846	121550K
21 81	32.13.12.1	PCH CHAN REQUEST PCH ADDRESS CARDS	826633	124265
21 81	32.13.14.1	PUNCH OPERATIONAL IN	826634	124265
21 81	32.13.21.1	PCH BUSY PCH CHANNEL END	826635	125633
21 81	32.13.22.1	PCH DEVICE END PCH UNIT CHECK	826636	125633
21 81	32.13.31.1	PCH COMMAND REJECT +BUS CUT CHECK	826637	125633
21 81	32.13.32.1	PUNCH FEED CE CONTROL	826638	124265
21 81	32.13.33.1	PCH DATA CHK,EQMT CHK,INTERV REQD	826639	131803
21 81	32.13.42.1	PCH INTERRUPT REQ,QUEUED,READY,END	826640	125633
21 81	32.31.10.1	INVALID CARD CODE	826641	121550K
21 81	32.31.11.1	TRANSFER CYCLE REQ AND ALLOW CYCLE	826642	124270
21 81	32.32.13.1	READ SELECT, SERVICE AND XFER	826643	131803
21 81	32.32.14.1	READER STACKER SELECT	826644	125647
21 81	32.33.17.1	PUNCH SELECT, SERVICE + TRANSFER	826645	124265
21 81	32.33.18.1	PUNCH SERVICE CY AND AFTER 9 LATCH	826646	124270
21 81	32.33.21.1	PUNCH STACKER INHIBIT 1+2 LATCH	826647	125647
21 81	32.33.22.1	PUNCH STACKER INHIBIT 3 LATCH	826592	131803
21 81	32.33.23.1	PUNCH STACK SELECT P2	826593	131803

PROJECT NO.	NAME	MACH	PART NO.	E C NO.	LOGIC NO.
	LOGIC INDEX	2821RP	0826827	133298	00.01.10.0
		PREV EC 131803	DATE 022668		

FR CH	LOGIC NO.	LOGIC NAME	PART NO.	E C NO.
21 B1	32.33.24.1	PUNCH STACKER SLECT P3	826648	125674
21 B1	32.33.25.1	PUNCH BUFFER BLANK INSERT	826649	121583

2-1

PROJECT NO.	NAME	MACH	PART NO.	E C NO.	LOGIC NO.
	LOGIC INDEX	2821RP	0826828	131803	00.01.30.0
		PREV EC 125674	DATE 062867		

FR CH	LOGIC NO.	LOGIC NAME	PART NO.	E C NO.
21 B3	00.03.30.1	CIRCUIT CARD LOCATION CHART	826399	131803
21 B3	32.05.01.0	CE SHARED PANEL CONNECTOR NO1 2540	826996	125674
21 B3	32.05.02.0	RDR-PCH STORAGE TRING PULSES	826997	121572
21 B3	32.05.03.0	STORAGE MATRIX SWITCH DJA-	826995	125658
21 B3	32.05.04.0	READER-PUNCH STORAGE	826998	125598
21 B3	32.20.01.1	READER-PUNCH BUFFER CLOCK	826651	131803
21 B3	32.20.02.1	READER-PUNCH BUFFER TIMINGS	826652	121594
21 B3	32.20.03.1	CLOCK TIMES 1	826653	125637
21 B3	32.20.04.1	CLOCK TIMES 2	826654	125658
21 B3	32.20.05.1	BLOCK SA OUTPUT CTRL	826655	121583
21 B3	32.20.11.1	READER ADDRESS REGISTER UNITS	826656	125674
21 B3	32.20.12.1	READER ADDRESS REGISTER-TENS	826657	125658
21 B3	32.20.13.1	PUNCH ADDRESS REGISTER-UNITS	826658	125674
21 B3	32.20.14.1	PUNCH ADDRESS REGISTER TENS	826659	125674
21 B3	32.20.15.1	READ+PUNCH BUFFER BIAS DRIVE SHEET 1	826660	125658
21 B3	32.20.16.1	READ+PUNCH BUFFER BIAS DRIVE SHEET	826661	125658
21 B3	32.20.17.1	READ+PUNCH BUFFER BIAS DRIVE SHEET 3	826662	125658
21 B3	32.20.18.1	UNITS BAR PARITY CHECK	826663	121550L
21 B3	32.20.19.1	TENS BAR PARITY CHECK	826664	121550L
21 B3	32.20.21.1	SWITCH CORE MATRIX VR CONTROL	826665	125658
21 B3	32.20.22.1	INHIBIT LOADS	826666	125658
21 B3	32.20.31.1	DATA REGISTER 12, 11 AND 0	826667	125658
21 B3	32.20.32.1	DATA REGISTER 1, 2 AND 3	826668	125658
21 B3	32.20.33.1	DATA REGISTER 4, 5 AND 6	826669	125658
21 B3	32.20.34.1	DATA REG 7, 8,9 AND P	826670	125658
21 B3	32.20.35.1	DATA REGISTER XU, XL, YU, AND YL	826671	125658
21 B3	32.20.41.1	INHIBIT CURRENT 12, 11, 0, AND 1	826672	125658
21 B3	32.20.42.1	INHIBIT CURRENT 2, 3, 4, AND 5	826673	125658
21 B3	32.20.43.1	INHIBIT CURRENT 6, 7, 8, AND 9	826674	125658
21 B3	32.20.44.1	INHIBIT CURRENT PARITY, XU, XL	826675	125658
21 B3	32.20.45.1	INHIBIT CURRENT YU AND YL	826676	125658
21 B3	32.20.51.1	DATA REG PARITY CHECK	826677	125601
21 B3	32.20.52.1	DATA REG PARITY CHECK	826678	125658
21 B3	32.20.53.1	READ BAR+PARITY. CHK READ CHK	826679	125658
21 B3	32.31.01.1	ROW BIT LINE RECEIVERS	826680	125658
21 B3	32.31.02.1	SIG LINES TERMINATION RDR-PCH TO ICU	826681	125658
21 B3	32.31.04.1	SIGNAL LINES ICU TO RDR PCH NO. 1	826682	125658
21 B3	32.31.05.1	LAST ADDR AND CHECK PLANE CTRL	826683	121598
21 B3	32.31.06.1	CE START LATCH	826684	131803
21 B3	32.31.07.1	RD-PCH COMPLETE	826685	125637
21 B3	32.32.11.1	READER TIME COUNTER	826686	125658
21 B3	32.33.11.1	PUNCH TIME COUNTER A-B-C-D	826687	125658
21 B3	32.33.12.1	PUNCH TIMECOUNTER E-F	827005	125601
21 B3	32.33.15.1	PUNCH COMPARE 12, 11, 0, 1, 2, 3, 5 AND 6	826688	121567
21 B3	32.33.16.1	PUNCH COMPARE 4, 7, 8 AND 9 + CE	826689	125658
21 B3	42.20.36.1	PFR DATA REGISTER ZU AND ZL	826690	125658

PROJECT NO.	NAME	MACH	PART NO.	E C NO.	LOGIC NO.
	LOGIC INDEX	2821RP	0826829	125601	00.00.00.0

FR CH	LOGIC NO.	LOGIC NAME	PART NO.	E C NO.
21 B4	32.04.01.1	CIRCUIT CARD LOCATION CHART	826409	125601
21 B4	32.20.61.1	READER XLATE GATING NO. 1	826691	121567
21 B4	32.20.62.1	READER XLATE GATING NO. 2	826692	121567
21 B4	32.20.63.1	READER TRANSLATE 0	826693	121550M
21 B4	32.20.64.1	READER TRANSLATE 1 AND 2	826694	121550M
21 B4	32.20.65.1	READER TRANSLATE 3 AND 4	826695	121550M
21 B4	32.20.66.1	READER TRANSLATE 5,6 AND 7	826594	121550M
21 B4	32.20.67.1	READ TRANSLATE AND CHAN REG COMPARE	826696	125601
21 B4	32.20.70.1	PUNCH TRANSLATE GATING NO. 1	826697	121567
21 B4	32.20.71.1	PUNCH TRANSLATE GATING NO. 2	826698	121550M
21 B4	32.20.72.1	PUNCH TRANSLATE 12	826595	121550M
21 B4	32.20.73.1	PUNCH TRANSLATE 11	826699	121550M
21 B4	32.20.74.1	PUNCH TRANSLATE 0	826700	121550M
21 B4	32.20.75.1	PUNCH TRANSLATE 1 AND 2	826701	121550M
21 B4	32.20.76.1	PUNCH TRANSLATE 3-4-5-6-7-8	826702	121550M
21 B4	32.20.77.1	PUNCH TRANSLATE 9	826703	121550M
21 B4	32.20.78.1	PCH XLATE AND DATA REG COMPARE 12-3	826704	121550M
21 B4	32.20.79.1	PUNCH XLATE AND DATA REG COMPARE 4-9	826705	125601
21 B4	32.20.80.1	PUNCH BUFFER CONTROLS	826706	121594
21 B4	42.11.01.1	CCL BINARY INTERFACE CONTROLS	826707	125598
21 B4	42.12.01.1	PFR INTERFACE CONTROLS	826708	124237
21 B4	42.12.02.1	PFR UNUSUAL COMMAND SENSE LATCH	826709	125601
21 B4	42.12.03.1	PFR-DATA-EQMT. CHECK TRANS CYCLE REQ	826710	125601
21 B4	42.13.27.1	INH CURRENT ZU AND ZL PFR XFER CY	826711	121594
21 B4	42.14.01.1	1400 COMPATIBILITY FEATURE RDR PCH	826712	125598
21 B4	42.23.01.1	PFR BUFF WRITE GATE 12,11,0,1,2,3	826713	121567
21 B4	42.23.02.1	PFR BUFF WRITE GATE 4-9,P YU AND YL	826714	121572
21 B4	42.23.03.1	COLUMN BINARY BUFF WRITE GATES 12-3	826715	124265
21 B4	42.23.04.1	COLUMN BINARY BUFF WRITE GATES 4-9	826716	124265
21 B4	42.31.01.1	PFR CONTROLS	826717	121594
21 B4	42.31.02.1	COLUMN BINARY CONTROLS	826718	125601
21 B4	42.32.01.1	COL BIN SET CHAN REG 2, 3, 4 AND 5	826719	121572
21 B4	42.32.02.1	COL BIN SET CHAN REG 6, 7 AND P	826720	124265
21 B4	42.33.01.1	PFR GATES 12,11,0,1,2 AND 3	826721	121583
21 B4	42.33.02.1	PFR GATES 4,5,6,7,8 AND 9	826722	121567



	A	B	C	D	E	F	G	H
1		DFR-UCB 0370226 04 31.11.12.1 33.13.62.1 31.11.12.1 31.11.13.1						
2	Z6Q-UCB 0372593 06 43.34.15.1 33.13.21.1 31.11.13.1 31.11.38.1 33.13.32.1	DFQ-UCB 0370225 03 31.11.11.1 31.11.11.1 31.11.11.1	DFR-UCB 0370226 04 31.11.12.1 31.11.34.1 31.11.35.1					
3	DHJ-UCB 0370352 01 31.11.05.1 31.11.05.1 31.11.05.1 31.11.05.1 31.11.05.1	Z6J-UCB 0372587 03 31.11.11.1 31.11.21.1 31.11.21.1	Z6P-UCB 0372592 06 31.11.21.1 31.11.13.1 31.11.21.1 31.11.13.1 31.11.12.1					
4	RE NOTE001 DHJ-UCB 0370352 01 31.11.05.1 31.11.05.1 31.11.05.1 31.11.05.1 31.11.05.1	Z6K-UCB 0372588 03 43.34.15.1 31.11.11.1	Z6Q-UCB 0372593 06 31.11.38.1 33.13.56.1					
5	RE NOTE002	Z6P-UCB 0372592 06 31.11.38.1 31.11.11.1 31.11.12.1 31.11.12.1 31.11.21.1	Z6L-UCB 0372589 02 31.11.13.1				FRH-UCB 0375188 04 31.11.31.1 31.11.31.1 31.11.03.1	FRH-UCB 0375188 04 31.11.38.1 31.11.38.1 31.11.03.1
6	CEX-UCB 0372530 02 31.11.06.1 31.11.06.1 31.11.21.1 31.11.21.1	Z6P-UCB 0372592 06 31.11.38.1 31.11.12.1 31.11.21.1 31.11.21.1	Z6L-UCB 0372589 02 31.11.38.1				FRH-UCB 0375188 04 31.11.37.1 31.11.37.1 31.11.04.1 31.11.04.1	FRH-UCB 0375188 04 31.11.33.1 31.11.36.1 31.11.03.1 31.11.03.1
7	Z6P-UCB 0372592 06 31.11.21.1 31.11.06.1 31.11.06.1 31.11.06.1	CEX-UCB 0372530 02 31.11.11.1 31.11.11.1 31.11.21.1 31.11.21.1	Z6M-UCB 0372590 02 31.11.21.1	Y3-UCB 0370858 04 33.13.82.1 33.13.82.1			FRH-UCB 0375188 04 31.11.32.1 31.11.32.1 31.11.04.1 31.11.04.1	FRH-UCB 0375188 04 31.11.34.1 31.11.35.1 31.11.03.1 31.11.03.1
8	Z6P-UCB 0372592 06 31.11.06.1 31.11.06.1 31.11.06.1 31.11.08.1 31.11.08.1	Z6L-UCB 0372589 02 31.11.12.1 31.11.12.1	Z6H-UCB 0372586 04 31.11.38.1 31.11.11.1 31.11.04.1 31.11.04.1	Z6G-UCB 0372585 04 31.11.04.1 43.34.15.1		FRN-UCB 0375193 01 31.11.13.1	FRH-UCB 0375188 04 31.11.34.1 31.11.35.1 31.11.04.1 31.11.04.1	FRH-UCB 0375188 04 31.11.34.1 31.11.03.1 31.11.03.1
9	DHJ-UCB 0370352 01 31.11.07.1 31.11.07.1 31.11.07.1 31.11.07.1 31.11.07.1	Z6G-UCB 0372585 04 31.11.12.1 31.11.12.1 31.11.21.1	Z6N-UCB 0372591 01 31.11.21.1	D6H-UCB 0370249 01 31.11.12.1	DFR-UCB 0370226 04 31.11.21.1 31.11.38.1 31.11.34.1 31.11.21.1	FRN-UCB 0375193 01 31.11.13.1	FRH-UCB 0375188 04 31.11.36.1 31.11.35.1 31.11.04.1	DFR-UCB 0370226 04 31.11.37.1 31.11.38.1 31.11.31.1
10	RE NOTE003 DHJ-UCB 0370352 01 31.11.07.1 31.11.07.1 31.11.07.1 31.11.07.1 31.11.07.1	DHB-UCB 0370348 06 31.11.11.1 31.11.12.1 31.11.12.1 33.13.56.1	CEY-UCB 0372531 02 31.11.12.1 31.11.12.1 31.11.38.1 31.11.38.1	D6F-UCB 0370247 01 31.11.12.1	D6F-UCB 0370247 01 31.11.13.1		DFR-UCB 0370226 04 31.11.33.1 31.11.35.1 31.11.36.1	DFR-UCB 0370226 04 31.11.31.1 31.11.31.1 31.11.32.1
11	RE NOTE004 CEX-UCB 0372530 02 31.11.08.1 31.11.08.1 31.11.08.1 31.11.08.1 31.11.08.1	DHF-UCB 0370350 02 31.11.08.1 31.11.08.1	Z6L-UCB 0372589 02 31.11.12.1 31.11.38.1	D6H-UCB 0370249 01 31.11.12.1	DFJ-UCB 0370232 12 31.11.38.1 33.13.56.1 31.11.37.1 31.11.08.1 43.34.15.1 31.11.11.1 43.34.15.1	DKY-UCB 0372528 02 43.34.15.1	DFR-UCB 0370226 04 31.11.36.1 31.11.37.1 31.11.37.1	DFR-UCB 0370226 04 31.11.32.1 31.11.32.1 31.11.12.1
12	DFR-UCB 0370226 04 31.11.12.1 31.11.21.1 31.11.13.1 31.11.13.1	Z6G-UCB 0372585 04 33.13.83.1 33.13.51.1 33.13.51.1 31.11.21.1	Z6J-UCB 0372587 03 31.11.21.1 31.11.38.1 33.13.83.1	D6H-UCB 0370249 01 31.11.11.1	D6H-UCB 0370249 01 31.11.21.1	DFR-UCB 0370226 04 31.11.33.1 31.11.33.1 31.11.35.1 31.11.13.1	CEY-UCB 0372531 02 33.13.82.1 33.13.82.1 33.13.82.1 33.13.82.1 33.13.82.1	Z6L-UCB 0372589 02 31.11.37.1
13	DFR-UCB 0370226 04 31.11.13.1 33.13.32.1 31.11.35.1 31.11.11.1	Z6H-UCB 0372586 04 33.13.51.1 33.13.51.1 33.13.62.1 31.11.11.1	Z6K-UCB 0372588 03 33.13.41.1 33.13.71.1 33.13.21.1	D6H-UCB 0370249 01 31.11.11.1		Z6G-UCB 0372585 04 31.11.33.1 31.11.32.1 31.11.37.1	CEY-UCB 0372531 02 33.13.83.1 33.13.83.1 33.13.83.1 33.13.83.1 33.13.32.1	Z6L-UCB 0372589 02 31.11.33.1
14	DKY-UCB 0372528 02 33.13.21.1 33.13.21.1	DKX-UCB 0372527 01 33.13.01.1 33.13.01.1 33.13.01.1 33.13.01.1	Z6J-UCB 0372587 03 33.13.51.1 33.13.56.1 31.11.08.1	DFJ-UCB 0370232 12 31.11.11.1 33.13.32.1 31.11.11.1 31.11.11.1 31.11.12.1 31.11.12.1 31.11.12.1	DFJ-UCB 0370232 12 33.33.21.1 33.13.56.1 33.33.22.1 31.11.38.1 31.11.38.1 31.11.21.1 31.11.13.1	Z6P-UCB 0372592 06 31.11.37.1 33.13.56.1 31.11.37.1 31.11.32.1 43.34.15.1	Z6J-UCB 0372587 03 43.34.15.1	Z6L-UCB 0372589 02 31.11.33.1
				H K D F RE NOTE006		A	B	

A	B	C	REMARKS D	E	F	G	H
15	ZGM-UCB 0372590 02 33.13.62.1 33.13.41.1	DKJ-UCB 0372529 01 33.13.32.1 33.13.32.1	Z60-UCB 0372593 06 33.13.11.1 33.13.11.1	Z60-UCB 0372593 06 33.13.11.1 33.13.11.1	DKX-UCB 0372527 01 33.13.85.1 33.13.85.1	CEY-UCB 0372531 02 33.13.84.1 33.13.84.1	Z6H-UCB 0372586 04 33.13.15.1 33.13.15.1
16	DFR-UCB 0370226 04 33.13.01.1 33.13.01.1	Z66-UCB 0372585 04 33.13.38.1 33.13.38.1	Z6L-UCB 0372589 02 33.13.41.1 33.33.21.1	Z6J-UCB 0372587 03 33.13.56.1 43.34.15.1	DKX-UCB 0372527 01 33.13.85.1 33.13.85.1	Z6H-UCB 0372586 04 33.13.51.1 33.13.51.1	Z6H-UCB 0372586 04 33.13.85.1 33.13.85.1
17	Z6K-UCB 0372588 03 33.13.51.1 33.13.51.1	C D	Z6J-UCB 0372587 03 33.13.32.1 33.13.32.1	Z6K-UCB 0372588 03 33.13.54.1 33.33.21.1	AXP-UCB 0372213 01 33.13.54.1 33.13.54.1	DKY-UCB 0372523 02 33.13.32.1 33.13.01.1	
18	DKY-UCB 0372528 02 33.13.01.1 33.13.54.1	Z6P-UCB 0372592 06 33.33.22.1 33.13.21.1	Z6H-UCB 0372586 04 33.13.62.1 33.13.84.1	D6U-UCB 0370379 04 33.13.56.1 33.33.21.1	Z6G-UCB 0372593 06 33.13.32.1 33.34.15.1	Z66-UCB 0372585 04 33.13.62.1 33.13.62.1	Z6J-UCB 0372587 03 33.13.62.1 33.13.51.1
19	DKY-UCB 0372528 02 33.13.21.1 33.13.54.1	DFJ-UCB 0370232 12 33.13.21.1 33.13.21.1	CEY-UCB 0372531 02 33.13.85.1 33.13.85.1	Z6J-UCB 0372587 03 33.13.11.1 33.34.15.1	Z66-UCB 0372585 04 33.13.41.1 33.13.35.1	Z66-UCB 0372585 04 33.13.71.1 33.13.71.1	
20	Z6M-UCB 0372590 02 33.13.21.1 33.13.21.1	Z6L-UCB 0372589 02 33.13.21.1 33.13.21.1	Z6K-UCB 0372588 03 33.13.71.1 33.13.51.1	D6T-UCB 0370380 04 33.13.51.1 33.13.83.1		Z6L-UCB 0372589 02 33.13.62.1 33.13.62.1	DFQ-UCB 0370225 03 33.13.71.1 33.13.41.1
21	DFQ-UCB 0370225 03 33.13.51.1 33.13.12.1	Z66-UCB 0372585 04 33.13.01.1 33.13.21.1	Z6J-UCB 0372587 03 33.13.54.1 33.06.01.1	Z6P-UCB 0372592 06 33.34.15.1 33.13.01.1	Z6P-UCB 0372592 06 33.13.62.1 33.13.71.1	Z6J-UCB 0372587 03 33.13.71.1 33.13.71.1	Z66-UCB 0372585 04 33.13.85.1 33.13.13.1
22	D6M-UCB 0370377 03 43.34.15.1 33.13.41.1	AQN-UCB 0370690 12 33.13.51.1 33.13.21.1	Z6M-UCB 0372590 02 33.13.54.1 33.13.54.1	DFR-UCB 0370226 04 33.13.51.1 31.11.12.1	Z6P-UCB 0372592 06 33.13.35.1 43.34.15.1	D6T-UCB 0370380 04 33.13.51.1 33.13.54.1	DFR-UCB 0370226 04 33.13.13.1 33.13.54.1
23		M D H L A B C		C D			
23		DFQ-UCB 0370225 03 33.13.51.1 33.13.41.1	DFQ-UCB 0370225 03 33.13.21.1 33.13.32.1	Z6H-UCB 0372586 04 33.13.21.1 33.13.11.1	DKZ-UCB 0372529 01 33.13.62.1 33.13.62.1	Z66-UCB 0372585 04 33.13.71.1 43.34.15.1	Z66-UCB 0372585 04 33.13.32.1 33.13.13.1
24			Z6M-UCB 0372590 02 33.13.83.1 33.13.54.1	DFR-UCB 0370226 04 33.13.71.1 33.13.21.1	Z6M-UCB 0372590 02 33.13.13.1 33.13.13.1	Z6H-UCB 0372586 04 33.13.62.1 33.13.54.1	Z6P-UCB 0372592 06 33.13.71.1 33.13.31.1
25	D6M-UCB 0370377 03 43.34.15.1 33.13.41.1	CEY-UCB 0372531 02 33.13.85.1 33.13.85.1	Z6K-UCB 0372588 03 33.13.35.1 43.34.15.1	Z6M-UCB 0372590 02 33.13.54.1 33.13.54.1		Z6H-UCB 0372586 04 33.13.82.1 33.13.85.1	Z6J-UCB 0372587 03 33.13.32.1 33.13.13.1
25						Z6K-UCB 0372588 03 33.13.41.1 33.13.54.1	
26	AXZ-UCB 0372339 01 33.33.21.1 33.33.21.1	Z66-UCB 0372585 04 33.13.56.1 33.13.21.1	Z6J-UCB 0372587 03 33.13.51.1 33.13.56.1		Z6J-UCB 0372587 03 33.13.71.1 33.13.71.1	Z66-UCB 0372585 04 33.13.32.1 33.13.71.1	Z6J-UCB 0372587 03 33.13.71.1 33.13.13.1
27	ADC-UCB 0373316 03 33.33.20.1 33.33.22.1		Z6J-UCB 0372587 03 43.34.14.1 43.34.14.1	Z6K-UCB 0372588 03 43.34.14.1 43.34.14.1	Z60-UCB 0372593 06 43.34.14.1 43.34.14.1	Z6P-UCB 0372592 06 43.34.14.1 43.34.14.1	Z6J-UCB 0372587 03 43.34.14.1 43.34.14.1
27							
28	ADC-UCB 0373316 03 33.33.22.1 33.33.22.1		D6M-UCB 0370380 04 43.34.15.1 33.11.13.1			Z6L-UCB 0372589 02 33.13.21.1 33.13.62.1	



NOTE 1  
31.11.05.1 31.11.05.1 31.11.05.1

NOTE 2  
31.11.05.1 31.11.05.1 31.11.05.1

NOTE 3  
31.11.07.1 31.11.07.1 31.11.07.1

NOTE 4  
31.11.07.1 31.11.07.1 31.11.07.1

NOTE 5  
33.13.51.1 33.13.56.1 31.11.35.1

NOTE 6  
33.33.20.1 31.11.21.1

NOTE 7  
33.13.54.1 33.33.21.1 33.13.41.1 33.13.21.1

21

A	B	C	REMARKS D	E	F	G	H
1					YKR- UCB 0372220 03 43.34.33.1 43.34.33.1 43.34.33.1	YKR- UCB 0372220 03 43.34.33.1 43.34.33.1 43.34.33.1	YLA- UCB 0372229 02 43.34.33.1 43.34.33.1
2					YKR- UCB 0372220 03 43.34.34.1 43.34.34.1 43.34.34.1	YKR- UCB 0372220 03 43.34.34.1 43.34.34.1 43.34.34.1	YLA- UCB 0372229 02 43.34.34.1 43.34.34.1
3					YKR- UCB 0372220 03 43.34.34.1 43.34.34.1 43.34.34.1	YKR- UCB 0372220 03 43.34.35.1 43.34.35.1 43.34.35.1	YLA- UCB 0372229 02 43.34.35.1 43.34.34.1
4					YKR- UCB 0372220 03 43.34.35.1 43.34.35.1 43.34.35.1	YKR- UCB 0372220 03 43.34.35.1 43.34.35.1 43.34.35.1	YLA- UCB 0372229 02 43.34.35.1 43.34.35.1
5			DKX- UCB 0372527 01 43.34.37.1 43.34.37.1 43.34.37.1 43.34.37.1 43.34.37.1	DFR- UCB 0370226 04 43.34.33.1 43.34.33.1 43.34.33.1 43.34.33.1	YKY- UCB 0372227 03 43.34.31.1 43.34.31.1 43.34.31.1	YKR- UCB 0372220 03 43.34.33.1 43.34.33.1 43.34.33.1	YLA- UCB 0372229 02 43.34.33.1
					C		B
6			DHJ- UCB 0370352 01 43.34.36.1 43.34.36.1 43.34.36.1 43.34.36.1 43.34.36.1 43.34.36.1	DFR- UCB 0370226 04 43.34.34.1 43.34.34.1 43.34.34.1 43.34.34.1	YKV- UCB 0372224 01 43.34.31.1	DJB- UCB 0373330 12 43.34.35.1 43.34.35.1 43.34.34.1 43.34.33.1 43.34.31.1	43.34.35.1 43.34.34.1 43.34.34.1 43.34.33.1 43.34.31.1
			RE NOTE001				
7			DHJ- UCB 0370352 01 43.34.36.1 43.34.36.1 43.34.36.1 43.34.36.1 43.34.36.1	DFR- UCB 0370226 04 43.34.35.1 43.34.35.1 43.34.34.1 43.34.34.1	YKV- UCB 0372224 01 43.34.31.1	DJB- UCB 0373330 12 43.34.31.1 43.34.33.1	
			RE NOTE002			J A	K D
						E	F
						G	H
8			ZGP- UCB 0372592 06 43.34.37.1 43.34.36.1 43.34.36.1 43.34.36.1 43.34.12.1 43.34.25.1	DFR- UCB 0370226 04 43.34.35.1 43.34.35.1 43.34.35.1	YKV- UCB 0372224 01 43.34.31.1	DJB- UCB 0373330 12 43.34.35.1 43.34.35.1 43.34.34.1 43.34.33.1 43.34.31.1	43.34.35.1 43.34.34.1 43.34.34.1 43.34.33.1 43.34.31.1
9			ZGG- UCB 0372585 04 43.34.37.1 43.34.25.1 43.34.21.1 43.34.05.1			DJB- UCB 0373330 12 43.34.31.1 43.34.33.1	
						J A	K D
						E	F
						G	H
10			ZGK- UCB 0372588 03 43.34.37.1 43.34.05.1 43.34.26.1		YKU- UCB 0372223 01 43.34.31.1	DJA- UCB 0373329 04 43.34.31.1 43.34.31.1 43.34.31.1	
11						YKT- UCB 0372222 01 43.34.31.1	YKT- UCB 0372222 01 43.34.31.1
12					YKW- UCB 0372225 03 43.34.31.1 43.34.31.1	YKU- UCB 0372223 01 43.34.31.1	YKU- UCB 0372223 01 43.34.31.1
					C		
13			DFR- UCB 0370226 04 43.34.11.1 43.34.11.1	DKZ- UCB 0372529 01 43.34.12.1 43.34.12.1 43.34.12.1	ESG- UCB 0374907 06 43.34.12.1 43.34.12.1 43.34.25.1 43.34.25.1 43.34.25.1	ESG- UCB 0374907 06 43.34.12.1 43.34.12.1 43.34.25.1 43.34.25.1	
			D				D
14					YKX- UCB 0372226 01 43.34.31.1	ESG- UCB 0374907 06 43.34.21.1 43.34.25.1 43.34.25.1 43.34.25.1	
					D		

2-1

15

16

17

18

19

20

21

22

23

24

A	B	C	REMARKS	D	E	F	G	H
			DFJ- UCB 0370232 12 43.34.25.1 43.34.05.1 43.34.11.1 43.34.11.1 43.34.11.1 43.34.25.1			ZGP- UCB 0372592 06 43.34.21.1 43.34.21.1 43.34.21.1 43.34.21.1 43.34.11.1 43.34.05.1 43.34.05.1	YKS- UCB 0372221 04 43.34.21.1 43.34.21.1 43.34.21.1 43.34.21.1 43.34.21.1	YKS- UCB 0372221 04 43.34.23.1 43.34.23.1 43.34.23.1 43.34.23.1
			K L M G H J					
			DFJ- UCB 0370232 12 43.34.12.1 43.34.21.1 43.34.37.1 43.34.25.1 43.34.12.1 43.34.05.1 43.34.12.1 43.34.11.1	DKX- UCB 0372527 01 43.34.26.1 43.34.26.1 43.34.26.1 43.34.26.1 43.34.26.1	DHB- UCB 0370348 06 43.34.23.1 43.34.23.1 43.34.23.1 43.34.23.1 43.34.21.1	YKS- UCB 0372221 04 43.34.21.1 43.34.21.1 43.34.21.1 43.34.21.1	YKS- UCB 0372221 04 43.34.25.1 43.34.23.1 43.34.23.1 43.34.23.1	
			ZGQ- UCB 0372593 06 43.34.25.1 43.34.21.1 43.34.12.1 43.34.05.1 43.34.12.1 43.34.11.1	DGU- UCB 0370379 04 43.34.23.1 43.34.23.1 43.34.23.1 43.34.25.1	ZGH- UCB 0372586 04 43.34.12.1 43.34.21.1 43.34.21.1 43.34.25.1	YKS- UCB 0372221 04 43.34.21.1 43.34.21.1 43.34.21.1 43.34.21.1	YKS- UCB 0372221 04 43.34.23.1 43.34.23.1 43.34.23.1	
			AZK- UCB 0372275 01 43.34.05.1	ZGH- UCB 0372586 04 43.34.12.1 43.34.11.1 43.34.12.1 43.34.23.1		YKS- UCB 0372221 04 43.34.05.1 43.34.05.1 43.34.21.1 43.34.21.1	YKS- UCB 0372221 04 43.34.23.1 43.34.23.1 43.34.23.1	
			CEX- UCB 0372530 02 43.34.05.1 43.34.05.1 43.34.05.1 43.34.12.1 43.34.12.1 43.34.12.1	DHB- UCB 0370348 06 43.34.12.1 43.34.11.1 43.34.11.1 43.34.11.1 43.34.12.1 43.34.33.1		YKS- UCB 0372221 04 43.34.05.1 43.34.05.1 43.34.21.1 43.34.21.1	YKS- UCB 0372221 04 43.34.23.1 43.34.23.1 43.34.23.1	
			ZGP- UCB 0372592 06 43.34.05.1 43.34.05.1 43.34.05.1 43.34.05.1 43.34.26.1 43.34.33.1			DKY- UCB 0372528 02 43.34.12.1 43.34.25.1	ADC- UCB 0373316 03 43.34.25.1 43.34.25.1 43.34.05.1	
			DGT- UCB 0370380 04 43.34.05.1 43.34.05.1 43.34.12.1 43.34.23.1			HFT- UCB 0372575 01 43.34.21.1	AXV- UCB 0372244 04 43.34.11.1 43.34.25.1 43.34.33.1 43.34.12.1	
			DGV- UCB 0370378 03 43.34.05.1 43.34.05.1 43.34.05.1	ZGQ- UCB 0372593 06 43.34.37.1 43.34.11.1 43.34.37.1 43.34.25.1 43.34.05.1 43.34.11.1	DGX- UCB 0370376 02 43.34.11.1 43.34.26.1	DFQ- UCB 0370225 03 43.34.23.1 43.34.31.1 43.34.11.1	ZGJ- UCB 0372587 03 43.34.25.1 43.34.25.1 43.34.25.1	
				ZGG- UCB 0372585 04 43.34.26.1 43.34.12.1 43.34.11.1 43.34.05.1	DGU- UCB 0370379 04 43.34.05.1 43.34.11.1 43.34.05.1 43.34.05.1	DGT- UCB 0370380 04 43.34.25.1 43.34.11.1 43.34.11.1 43.34.12.1	ZGG- UCB 0372585 04 43.34.11.1 43.34.25.1 43.34.25.1 43.34.25.1	
				AJT- UCB 0370564 05 43.34.33.1 43.34.12.1 43.34.21.1	ZGK- UCB 0372588 03 43.34.37.1 43.34.25.1 43.34.33.1	DGW- UCB 0370377 03 43.34.33.1 43.34.11.1 43.34.05.1	DGU- UCB 0370379 04 43.34.25.1 43.34.25.1 43.34.25.1	

D E B

0837789

CIRCUIT CARD LOCATION CHART  
REMARKS

21A2

2821  
130806

00.02.20.1  
SHEET 3  
DATE JUL 27, 1967

NOTE 1  
43.34.36.1 43.34.36.1 43.34.36.1  
NOTE 2  
43.34.36.1 43.34.36.1 43.34.36.1  
NOTE 3  
43.34.25.1 43.34.37.1 43.34.26.1 43.34.05.1

A	B	C	REMARKS D	E	F	G	H
1			DKU- NM7 0372508 04 33.32.00.1 33.32.00.1 33.32.00.1 33.32.00.1	DKU- PR 0372508 04 33.32.03.1 33.32.03.1 33.32.03.1 33.32.03.1			
2			DKU- NM7 0372508 04 33.32.00.1 33.32.00.1 33.32.00.1	DKU- PR 0372508 04 33.32.03.1 33.32.03.1 33.32.03.1			
3		DKU- PR 0372496 01 33.33.00.1	DKU- NM7 0372508 04 33.32.00.1 33.32.00.1 33.32.00.1	DKU- PR 0372508 04 33.32.03.1 33.32.03.1 33.32.03.1	D6Y- RES 0370375 02 33.13.11.1		
4		DF- PR 0370232 12 33.32.12.1 33.32.13.1 33.32.13.1 33.32.00.1 33.32.04.1 33.32.02.1 33.32.03.1 33.32.15.1 RE NOTE 001	ASQ- NM7 0372245 02 33.32.17.1 33.32.17.1	DKU- PR 0372508 04 33.32.00.1 33.32.14.1 33.32.14.1	ASQ- HSP 0372245 02 33.32.17.1 33.32.17.1		
5	Y3- NTCS 0370858 04 33.13.61.1 33.13.61.1	Y3- PR 0370858 04 33.13.61.1	DHC- PR 0370372 06 33.32.12.1 33.33.02.1 33.33.00.1 33.33.03.1 33.33.02.1	ASQ- PR 0372245 02 33.32.17.1	DKU- PR 0372508 04 33.32.14.1 33.33.00.1 33.33.01.1	JEB- NPR3 0374792 02 33.13.11.1	
6	ADC- PR 0373316 03 33.33.02.1 33.33.03.1 33.33.03.1	DHB- PR 0370348 06 33.32.03.1 33.33.03.1 33.33.01.1 33.13.11.1 33.32.04.1 33.32.17.1	ADF- STL 0372375 02 43.32.00.1	DJL- NM7 0373354 04 33.33.07.1 33.33.07.1 33.33.09.1 33.33.09.1		DJL- PR 0373354 04 33.33.11.1 33.33.11.1 33.33.13.1 33.33.13.1	
7	ADC- PR 0373316 03 33.33.00.1 33.33.00.1 33.33.00.1	DFR- PR 0370226 04 43.32.00.1 43.32.00.1 33.32.10.1 33.33.00.1	ADF- STL 0372375 02 43.32.00.1	DJL- PR 0373354 04 33.33.07.1 33.33.07.1 33.33.09.1 33.33.09.1		DJL- PR 0373354 04 33.33.11.1 33.33.11.1 33.33.13.1 33.33.13.1	
8	AZK- PR 0372275 01 33.33.00.1	AGG- PR 0370703 01 33.33.00.1	DFQ- PR 0370225 03 43.32.00.1 43.32.14.1 33.13.11.1	ADF- STL 0372375 02 43.32.00.1	DJL- PR 0373354 04 33.33.07.1 33.33.07.1 33.33.09.1 33.33.09.1	DJL- PR 0373354 04 33.33.11.1 33.33.11.1 33.33.13.1 33.33.13.1	
9	DGX- PR 0370376 02 33.13.53.1 33.33.03.1	AZK- PR 0372275 01 33.32.17.1	AJT- PR 0370564 05 43.32.00.1 33.32.12.1 33.32.10.1 33.32.10.1	ADF- STL 0372375 02 43.32.00.1 43.32.00.1	DJL- PR 0373354 04 33.33.07.1 33.33.07.1 33.33.09.1 33.33.09.1	DJL- PR 0373354 04 33.33.11.1 33.33.11.1 33.33.13.1 33.33.13.1	
10	DGX- PR 0370376 02 33.13.11.1 33.13.11.1	AZK- PR 0372275 01 33.32.14.1	DFR- PR 0370226 04 33.32.17.1 33.32.17.1 33.32.17.1	DGU- STL 0370379 04 43.32.00.1 43.32.00.1 43.32.00.1	DJL- PR 0373354 04 33.33.07.1 33.33.07.1 33.33.09.1 33.33.09.1	DJL- PR 0373354 04 33.33.11.1 33.33.11.1 33.33.13.1 33.33.13.1	
11	DGX- PR 0370376 02 33.13.12.1 33.13.12.1	AZK- PR 0372275 01 33.32.14.1	DHC- NM7 0370372 06 33.32.01.1 33.32.01.1 33.32.01.1 33.32.01.1	DGU- STL 0370379 04 43.32.00.1 43.32.00.1 43.32.00.1	DJL- PR 0373354 04 33.33.07.1 33.33.07.1 33.33.09.1 33.33.09.1	DJL- PR 0373354 04 33.33.11.1 33.33.11.1 33.33.13.1 33.33.13.1	
12	DGU- PR 0370379 04 33.32.13.1 33.32.17.1 33.32.17.1	AZK- PR 0372275 01 33.32.14.1	DGU- NM7 0370379 04 33.32.01.1 33.32.01.1 33.32.01.1	AZK- STL 0372275 01 43.32.00.1	DJL- PR 0373354 04 33.33.06.1 33.33.06.1 33.33.08.1 33.33.08.1	DJL- PR 0373354 04 33.33.10.1 33.33.10.1 33.33.13.1 33.33.13.1	
13	DFQ- PR 0370225 03 33.13.11.1 33.13.12.1	DHV- PR 0372123 02 33.32.04.1	DHB- NM7 0370348 06 33.32.01.1 33.32.01.1 33.32.01.1 33.32.01.1	DGU- STL 0370379 04 43.32.01.1 43.32.01.1	DJL- PR 0373354 04 33.33.06.1 33.33.06.1 33.33.08.1 33.33.08.1	DJL- PR 0373354 04 33.33.10.1 33.33.10.1 33.33.12.1 33.33.12.1	
14	DEN- PR 0372195 02 33.32.04.1 33.32.17.1	AZK- PR 0372275 01 33.32.14.1	DHC- NM7 0370372 06 33.32.01.1 33.32.01.1 33.32.01.1 33.32.01.1	DHW- STL 0372191 03 43.32.01.1 43.32.01.1 43.32.01.1 43.32.01.1	DJL- PR 0373354 04 33.33.06.1 33.33.06.1 33.33.08.1 33.33.08.1	DJL- PR 0373354 04 33.33.10.1 33.33.10.1 33.33.12.1 33.33.12.1	



	A	B	C	REMARKS	D	E	F	G	H
15	DGT- PR 0370380 04 33.13.53.1 33.32.04.1 33.33.00.1 33.33.04.1 33.13.11.1	AQQ- PR 0370703 01 33.32.17.1	DGU- NM7 0370379 04 33.32.01.1 33.32.01.1 33.32.01.1 33.32.01.1 33.32.01.1	DHB- STL 0370348 06 43.32.00.1 43.32.00.1 43.32.00.1 43.32.00.1	DJI- PR 0373354 04 33.33.06.1 33.33.06.1 33.33.08.1 33.33.08.1			DJI- PR 0373354 04 33.33.10.1 33.33.10.1 33.33.10.1 33.33.12.1 33.33.12.1	
				D E F					
16	DGV- PR 0370378 03 33.13.11.1 33.32.04.1 33.13.11.1	AZK- PR 0372275 01 33.32.12.1	DHB- NM7 0370348 06 33.32.01.1 33.32.01.1 33.32.02.1 33.32.02.1 33.32.02.1	AZK- STL 0372275 01 43.32.01.1	DJI- PR 0373354 04 33.33.06.1 33.33.06.1 33.33.08.1 33.33.08.1			DJI- PR 0373354 04 33.33.10.1 33.33.10.1 33.33.10.1 33.33.12.1	
17	ZGP- PR 0372592 06 33.13.61.1 33.13.61.1 33.33.03.1 33.33.17.1 33.33.17.1 33.13.53.1	DGT- PR 0370380 04 33.13.53.1 33.13.53.1 33.32.04.1 33.32.06.1	DEN- PR 0372195 02 33.32.04.1 33.32.17.1	DGW- STL 0370377 03 33.32.06.1 43.32.01.1 43.32.01.1	DJI- PR 0373354 04 33.33.06.1 33.33.06.1 33.33.08.1 33.33.08.1			DJI- PR 0373354 04 33.33.10.1 33.33.10.1 33.33.12.1 33.33.12.1	
18	DEN- PR 0372195 02 33.13.61.1 33.32.12.1	AZK- PR 0372275 01 33.32.12.1	DGW- PR 0370377 03 33.32.01.1 33.32.02.1 33.33.02.1	DHC- STL 0370372 06 33.32.06.1 43.32.01.1	DJI- PR 0373354 04 33.33.06.1 33.33.06.1 33.33.08.1 33.33.08.1			DJI- PR 0373354 04 33.33.10.1 33.33.10.1 33.33.10.1 33.33.12.1	
				F C D E					
19	DKY- PR 0372528 02 33.13.61.1 33.13.61.1	DGU- PR 0370379 04 33.13.12.1 33.13.12.1 33.32.10.1 33.32.10.1	DGT- PR 0370380 04 33.33.02.1 33.32.14.1 33.32.06.1	DGX- PR 0370376 02 33.32.04.1 33.32.04.1	DHW- PR 0372191 03 33.32.05.1 33.32.05.1 33.32.10.1 33.32.10.1 33.32.13.1	AXK- NM7 0372209 02 33.32.15.1 33.32.15.1 33.32.15.1	DJI- NM7 0373354 04 33.33.04.1 33.33.04.1 33.33.05.1 33.33.05.1		
						B			
20	ZGG- PR 0372585 04 33.13.61.1 33.13.61.1 33.33.03.1	DGU- PR 0370379 04 33.13.11.1 33.13.53.1 33.32.06.1	DHW- PR 0372191 03 33.32.05.1 33.32.05.1 33.32.05.1 33.32.05.1	DKW- PR 0372526 02 33.32.10.1 33.32.10.1 33.32.10.1 33.32.10.1 RE NOTE002	DGU- PR 0370379 04 33.32.10.1 33.32.10.1 33.32.13.1	DHB- PR 0370348 06 33.32.13.1 33.32.13.1 33.32.14.1 33.33.00.1	DJI- PR 0373354 04 33.33.04.1 33.33.04.1 33.33.05.1		
				A					
21	ZGG- PR 0372585 04 33.13.61.1 33.13.61.1 33.33.03.1	DHB- PR 0370348 06 33.32.14.1 33.32.14.1 33.32.14.1 33.32.12.1	DGU- PR 0370379 04 33.32.05.1 33.32.05.1 33.32.05.1	DKW- PR 0372526 02 33.32.10.1 33.32.10.1 33.32.10.1 33.32.10.1 RE NOTE003	DGT- PR 0370380 04 33.32.12.1 33.32.06.1	AXK- NM7 0372209 02 33.32.15.1 33.32.15.1	DJI- PR 0373354 04 33.33.04.1 33.33.04.1 33.33.05.1		
				B					
22	DGV- PR 0370378 03 33.33.00.1 33.33.03.1 33.33.00.1	DHC- PR 0370372 06 33.32.16.1 33.32.16.1 33.32.16.1 33.33.01.1	AXH- PR 0372207 01 33.32.11.1 33.32.11.1 33.32.11.1 33.32.11.1	AQQ- PR 0370703 01 33.32.11.1	DGU- PR 0370379 04 33.32.10.1 33.33.03.1 33.33.03.1	DHB- PR 0370348 06 33.32.13.53.6 33.32.11.1 33.32.17.1 33.32.06.1 33.32.17.1	DJI- PR 0373354 04 33.33.04.1 33.33.04.1 33.33.05.1		
		A							
23	DGW- PR 0370377 03 33.33.01.1 33.32.11.1 33.32.12.1	DFR- PR 0370226 04 33.32.06.1 33.33.03.1 33.32.12.1	AXP- PR 0372213 01 33.32.11.1 33.32.11.1 33.32.11.1 33.32.11.1	DGV- PR 0370378 03 33.33.02.1 33.32.16.1 33.32.06.1	AJT- PR 0370564 05 33.32.13.1 33.32.13.1 33.32.13.1 33.32.13.1	AXN- NM7 0372212 01 33.32.15.1 33.32.15.1 33.32.15.1	DJI- PR 0373354 04 33.33.04.1 33.33.04.1 33.33.05.1		
24	DGU- PR 0370379 04 33.33.03.1 33.13.53.1 33.13.53.1 33.33.01.1	DFR- PR 0370226 04 33.13.11.1 33.13.11.1 33.13.12.1 33.13.12.1	DFJ- PR 0370236 12 33.32.06.1 33.13.61.1 33.13.61.1 33.33.01.1 RE NOTE004	DGN- PR 0370377 03 33.32.13.1 33.32.13.1 33.33.02.1	DGT- PR 0370380 04 33.32.14.1 33.32.13.1 33.33.00.1 33.33.00.1		DJI- PR 0373354 04 33.33.04.1 33.33.04.1 33.33.05.1		
25	AXZ- PR 0372239 01 33.32.11.1	AXV- PR 0372244 04 33.33.01.1 33.33.01.1 33.33.02.1 33.32.16.1	DGU- NM7 0370379 04 33.32.02.1 33.32.02.1 33.32.02.1	DHB- PR 0370348 06 33.32.12.1 33.32.12.1 33.32.04.1 33.32.14.1	AXW- PR 0372236 01 33.32.14.1 33.32.14.1 33.32.14.1 33.32.14.1	AXK- NM7 0372209 02 33.32.16.1 33.32.16.1	DJI- PR 0373354 04 33.33.04.1 33.33.04.1 33.33.05.1		
						B			
26	ZGG- PR 0372585 04 33.32.06.1 33.32.06.1 33.32.16.1 33.32.16.1	DHC- PR 0370372 06 33.33.00.1 33.33.00.1 33.33.03.1 33.33.01.1 33.33.01.1	DFR- PR 0370226 04 33.13.61.1 33.13.61.1 33.32.16.1 33.32.04.1	DGT- PR 0370380 04 33.32.12.1 33.32.12.1 33.33.00.1 33.32.04.1	DFR- PR 0370226 04 33.32.10.1 33.32.10.1 33.33.00.1 33.33.00.1	AXN- NM7 0372212 01 33.32.16.1 33.32.16.1 33.32.16.1	DGU- PR 0370379 04 33.32.11.1 33.32.11.1 33.32.11.1		
27	DFR- PR 0370226 04 33.32.16.1 33.13.11.1	AQQ- PR 0370703 01 33.33.01.1	ZGM- PR 0372590 02 33.13.53.1 33.32.12.1	DGV- PR 0370378 03 33.32.12.1 33.32.04.1 33.32.13.1	DHB- PR 0370348 06 33.32.03.1 33.32.03.1 33.32.03.1 33.33.01.1	ESX- PR 0374924 05 33.32.14.1 33.33.03.1 33.33.03.1 33.32.14.1	DGY- PR 0370375 02 33.32.11.1		
	B D								
28	DEN- PR 0372195 02 33.32.14.1 33.33.00.1	DFO- PR 0370225 03 33.33.00.1 33.33.00.1	DHW- PR 0372191 03 33.32.14.1 33.32.14.1 33.33.01.1 33.33.01.1	DGW- PR 0370377 03 33.32.04.1 33.33.01.1 33.33.02.1	DGU- PR 0370379 04 33.32.10.1 33.32.10.1 33.33.01.1 33.33.01.1	DFR- PR 0370226 04 33.32.14.1 33.32.14.1 33.32.14.1	DFJ- PR 0370232 12 33.33.00.1 33.32.17.1 33.32.11.1 33.33.01.1 33.33.02.1		
							M J K L G H		

G26 -> E28

	A	B	C	REMARKS D	E	F	G	H
29	DGV- PR 0370378 03 33.33.00.1 33.13.53.1 33.32.04.1	DGT- PR 0370380 04 33.33.01.1 33.33.01.1 33.32.10.1 33.33.02.1	DGV- PR 0370378 03 33.13.53.1 33.32.06.1 33.32.06.1					FPZ- HSP 0375157 01 33.32.16.1 33.32.16.1
30	DHB- PR 0370348 06 33.32.07.1 33.32.07.1 33.32.07.1 33.32.07.1	DHB- PR 0370348 06 33.33.01.1 33.33.02.1 33.32.07.1 33.32.07.1	DHB- PR 0370348 06 33.32.06.1 33.32.03.1 33.33.01.1 33.32.14.1 33.13.11.1 33.32.03.1					
31	DFR- PR 0370226 04 33.33.02.1 33.33.01.1 33.32.12.1 33.33.01.1	DEN- PR 0372195 02 33.33.01.1 33.33.03.1	DHW- PR 0372191 03 33.33.02.1 33.33.02.1 33.33.02.1 33.33.02.1 33.33.03.1 33.33.03.1					
32	DEN- PR 0372195 02 33.33.02.1 33.32.13.1	DGT- PR 0370380 04 33.32.06.1 33.32.11.1 33.13.11.1 33.33.02.1						

2-1

0826349

CIRCUIT CARD LOCATION CHART  
REMARKS

21A3

2821 06.02.30.1  
131802 SHEET 4  
DATE DEC 19, 1967

NOTE 1  
33.33.01.1 33.33.02.1 33.32.11.1 33.32.07.1

NOTE 2  
33.32.10.1 33.32.10.1

NOTE 3  
33.32.10.1 33.32.10.1

NOTE 4  
33.32.17.1 33.32.16.1 33.33.01.1 33.32.06.1

A	B	C	REMARKS	D	E	F	G	H
		AXA- PR 0372197 04 33.23.02.1 33.23.02.1 33.23.02.1 33.23.02.1				DFR- UCB 0370226 04 43.34.18.1 43.34.18.1 43.34.18.1 43.34.18.1	DGU- UCB 0370379 04 43.34.18.1 43.34.18.1 43.34.18.1 43.34.18.1	
1								
2		AXA- PR 0372197 04 33.23.02.1 33.23.04.1 33.33.41.1				YKR- UCB 0372220 03 43.34.18.1 43.34.18.1 43.34.18.1	YKR- UCB 0372220 03 43.34.18.1 43.34.18.1 43.34.18.1	YLA- UCB 0372229 02 43.34.18.1 43.34.18.1
3		D DGT- PR 0370380 04 33.23.03.1 33.33.44.1 33.23.03.1 33.23.11.1				YKR- PR 0372220 03 33.23.08.1	YKR- HSP 0372220 03 33.23.08.1 33.23.08.1 33.23.08.1	YLA- PR 0372229 02 33.23.08.1 33.23.08.1
4		DFN- PR 0372195 02 33.33.44.1 33.23.03.1				YKR- PR 0372220 03 33.23.08.1 33.23.08.1 33.23.08.1	YKR- PR 0372220 03 33.23.08.1 33.23.08.1	YLA- PR 0372229 02 33.23.07.1 33.23.08.1
5		ZGP- PR 0372592 06 33.33.44.1 33.33.44.1 33.33.44.1 33.33.44.1 33.33.44.1 33.33.44.1 33.33.44.1 33.33.44.1 33.33.44.1	ZGI- PR 0372587 03 33.23.10.1 33.23.10.1 33.33.44.1 33.33.44.1	DFR- PR 0370226 04 33.23.08.1 33.23.08.1 33.33.47.1		YKR- PR 0372220 03 33.23.07.1 33.23.07.1 33.23.07.1	YKR- PR 0372220 03 33.23.07.1 33.23.07.1 33.23.07.1	YLA- PR 0372229 02 33.23.07.1 33.23.08.1
6	DHM- PR 0372191 03 33.33.46.1 33.33.46.1	ZGP- PR 0372592 06 33.33.44.1 33.33.44.1 33.33.44.1 33.33.44.1 33.33.44.1 33.33.44.1	ZGJ- PR 0372587 03 33.33.44.1 33.33.44.1 33.33.44.1 33.33.44.1	DHJ- PR 0370352 01 33.23.10.1 33.23.10.1 33.23.10.1 33.23.10.1 33.23.10.1	DFR- PR 0370226 04 33.23.07.1 33.23.08.1 33.23.08.1	YKR- PR 0372220 03 33.23.06.1 33.23.06.1	YKR- PR 0372220 03 33.23.06.1 33.23.06.1	YLA- PR 0372229 02 33.23.06.1 33.23.06.1
7	B C DGX- PR 0370376 02 33.33.41.1	DKX- UCB 0372527 01 33.33.45.1 33.33.45.1 33.33.45.1 33.33.45.1 33.33.45.1	DFR- PR 0370226 04 33.33.44.1 33.33.44.1 33.33.44.1 33.33.44.1	DHJ- PR 0370352 01 33.23.10.1 33.23.10.1 33.23.10.1 33.23.10.1	DFR- PR 0370226 04 33.23.06.1 33.23.07.1 33.23.07.1	YKR- PR 0372220 03 33.23.05.1 33.23.05.1 33.23.05.1	YKR- PR 0372220 03 33.23.05.1 33.23.05.1	YLA- PR 0372229 02 33.23.05.1 33.23.06.1
8	A DGV- PR 0370378 03 33.33.03.1 33.33.03.1 33.33.03.1 33.33.03.1	DKX- UCB 0372527 01 43.34.18.1 43.34.18.1 43.34.18.1 43.34.18.1 43.34.18.1	ZGL- PR 0372589 02 33.33.42.1 33.33.44.1	ZGP- PR 0372592 06 33.23.08.1 33.23.10.1 33.33.43.1 33.33.46.1 33.33.43.1	DFR- PR 0370226 04 33.23.06.1 33.23.06.1 33.23.06.1	YKR- PR 0372220 03 33.23.05.1 33.23.05.1 33.23.05.1	YKR- PR 0372220 03 33.23.05.1 33.23.05.1	YLA- PR 0372229 02 33.23.05.1 33.23.05.1
9	DHB- PR 0370348 06 33.33.46.1 33.33.46.1 33.33.46.1 33.33.46.1 33.33.46.1	ZGH- UCB 0372586 04 43.34.18.1 33.23.00.1 33.33.47.1 33.33.46.1	AXV- PR 0372244 04 33.33.43.1 33.33.44.1 33.33.44.1 33.33.49.1 33.33.49.1	ZGM- PR 0372590 02 33.33.49.1 33.33.49.1	DFR- PR 0370226 04 33.23.05.1 33.23.05.1 33.23.05.1	DGU- PR 0370379 04 33.23.06.1 33.23.06.1 33.23.07.1 33.23.10.1		
10	DFJ- PR 0370232 12 33.33.45.1 33.33.46.1 33.23.00.1 33.33.41.1 43.34.18.1	ZGO- M7 0372593 06 33.23.11.1 33.23.11.1 33.23.11.1	DFQ- PR 0370225 03 33.33.43.1 33.33.44.1 33.33.44.1	ZGM- PR 0372590 02 33.33.49.1 33.33.49.1	DFR- PR 0370226 04 33.23.03.1 33.23.03.1 33.23.05.1	DGU- PR 0370379 04 33.23.05.1 33.23.05.1 33.23.05.1		
11	DKX- PR 0372527 01 33.33.45.1 33.33.45.1 33.33.45.1 33.33.45.1 33.33.45.1	ZGL- M7 0372589 02 33.23.11.1 33.23.11.1	ZGO- PR 0372593 06 33.23.11.1 33.33.43.1 33.33.44.1 33.33.44.1 33.23.07.1 33.23.07.1	AXV- PR 0372244 04 33.33.49.1 33.33.49.1 33.33.49.1 33.33.49.1	DHC- PR 0370372 06 33.23.08.1 33.23.08.1 33.23.11.1 33.23.11.1	DGU- PR 0370379 04 33.23.05.1 33.23.06.1 33.23.06.1		
12	DKX- PR 0372527 01 33.33.45.1 33.33.45.1 33.33.45.1 33.33.45.1	AZK- RES 0372275 01 33.23.00.1	ZGG- PR 0372585 04 33.33.43.1 33.33.43.1 33.33.43.1 33.33.44.1	ZGK- PR 0372588 03 33.33.48.1 33.33.49.1 33.33.49.1	ZGK- PR 0372588 03 33.23.10.1 33.23.11.1	DGU- PR 0370379 04 33.23.07.1 33.23.05.1 33.23.05.1		
13	DKX- PR 0372527 01 33.33.45.1 33.33.45.1 33.33.45.1 33.33.45.1	A	DHF- PR 0370350 02 33.33.42.1 33.33.42.1	AXV- PR 0372244 04 33.33.48.1 33.33.48.1 33.33.48.1	DGY- PR 0370375 02 33.23.11.1 33.23.02.1	YKV- PR 0372224 01 33.23.09.1	HGA- PR 0373373 01 33.23.08.1	
14	DHC- PR 0370372 06 33.23.00.1 33.23.00.1 33.23.02.1 33.23.02.1 33.33.46.1		DHF- PR 0370350 02 33.33.42.1 33.33.42.1	ZGK- PR 0372588 03 33.33.48.1 33.33.48.1 33.33.48.1	ZGL- PR 0372589 02 33.23.11.1 33.33.43.1	YKV- PR 0372224 01 33.23.09.1	DJB- PR 0373330 12 33.23.07.1 33.23.08.1 33.23.08.1 33.23.08.1 33.23.08.1 43.34.18.1 43.34.18.1 33.23.09.1	J K

	A	B	C	D	E	F	G	H
15	ZGP- PR 0372592 06 33.23.04.1 33.23.03.1 33.23.04.1 33.23.03.1 33.23.04.1 33.23.03.1		DHF- PR 0370350 02 33.33.42.1 33.33.42.1	ZGM- PR 0372590 02 33.33.48.1 33.33.48.1	DHB- PR 0370348 06 33.23.11.1 33.23.11.1 33.23.11.1 33.33.47.1 33.33.41.1 33.23.11.1	YKV- PR 0372224 01 33.23.09.1	DJB- PR 0373330 12 33.23.09.1 33.23.09.1 33.23.09.1 33.23.05.1 33.23.05.1 33.23.05.1 33.23.06.1 33.23.06.1 33.23.07.1	
16	DEN- PR 0372195 02 33.23.10.1		DFQ- PR 0370225 03 33.33.47.1 33.33.42.1 33.33.42.1	AXV- PR 0372244 04 33.33.48.1 33.33.48.1 33.33.48.1	DEN- PR 0372195 02 33.33.47.1 33.23.00.1	YKV- UCB 0372224 01 33.23.09.1	DJA- PR 0373329 04 33.23.09.1 33.23.09.1 33.23.09.1 33.23.09.1	
17	DGT- PR 0370380 04 33.23.10.1 33.33.47.1 33.33.47.1 33.33.47.1		DKT- PR 0372500 01 33.33.41.1	ZGM- PR 0372590 02 33.33.48.1 33.33.48.1	DKZ- PR 0372529 01 33.33.47.1 33.33.47.1 33.33.47.1	YKY- PR 0372227 03 33.23.09.1 33.23.09.1	YKT- PR 0372222 01 33.23.09.1	YKT- PR 0372222 01 33.23.09.1
18			ZKT- NHSP 0372682 01 33.33.41.1	AXZ- PR 0372239 01 33.33.41.1 33.33.41.1	DGV- PR 0370378 03 33.33.47.1	YKN- PR 0372225 03 33.23.09.1 33.23.09.1	YKU- PR 0372223 01 33.23.09.1	YKU- PR 0372223 01 33.23.09.1
19			DFR- PR 0370226 04 33.33.46.1 33.33.43.1	AXV- PR 0372244 04 33.23.01.1 33.23.01.1 33.23.01.1	AJT- PR 0370564 05 33.23.00.1 33.33.44.1 33.23.00.1 33.23.00.1 33.23.07.1		ESG- PR 0374907 06 33.23.00.1 33.23.00.1 33.23.04.1 33.23.04.1 33.23.04.1 33.23.04.1	ESG- PR 0374907 06 33.23.02.1 33.23.02.1 33.23.04.1 33.23.04.1 33.23.04.1
20			DGV- PR 0370378 03 33.33.46.1 33.33.47.1	AXV- PR 0372244 04 33.23.01.1 33.23.01.1 33.23.03.1	DHB- PR 0370348 06 33.33.47.1 33.23.03.1 33.23.03.1 33.23.03.1 33.23.08.1	YKK- PR 0372226 01 33.23.09.1	YKS- PR 0372221 04 33.23.00.1 33.23.00.1 33.23.00.1 33.23.01.1	YKS- PR 0372221 04 33.23.02.1 33.23.02.1 33.23.02.1 33.23.03.1
21			ZGM- PR 0372590 02 33.33.41.1 33.33.41.1	DHJ- PR 0370232 12 33.33.01.1 33.33.01.1 33.33.01.1 33.33.02.1 33.33.07.1 33.23.08.1 RE NOTE 04	ZGO- PR 0372593 06 33.23.01.1 33.23.01.1 33.23.01.1 33.23.01.1 33.23.01.1 33.23.01.1	YKS- PR 0372221 04 33.23.04.1 33.23.04.1 33.23.04.1	YKS- PR 0372221 04 33.23.00.1 33.23.00.1 33.23.01.1	YKS- PR 0372221 04 33.23.02.1 33.23.02.1 33.23.02.1 33.23.03.1
22	AZK- PR 0372275 01 33.23.11.1	ZGH- PR 0372586 04 33.33.41.1 33.33.43.1 33.23.00.1 33.33.41.1	Z66- PR 0372585 04 33.23.03.1 33.33.43.1 33.33.41.1 33.33.41.1	CEY- PR 0372531 02 33.23.01.1 33.23.01.1 33.23.01.1 33.23.01.1 33.23.01.1	DGW- PR 0370377 03 33.33.46.1 33.23.11.1 33.23.02.1	YKS- PR 0372221 04 33.23.00.1 33.23.00.1 33.23.01.1	YKS- PR 0372221 04 33.23.02.1 33.23.02.1 33.23.02.1	
23	AJT- PR 0370564 05 33.23.11.1	DGT- PR 0370380 04 33.23.11.1 33.23.03.1 33.23.03.1	AXN- PR 0372212 01 33.23.02.1 33.23.02.1 33.23.02.1	CEY- PR 0372531 02 33.23.01.1 33.23.01.1 33.23.01.1 33.23.01.1	DGY- PR 0370375 02 33.23.00.1 33.23.02.1	YKS- PR 0372221 04 33.23.00.1 33.23.00.1 33.23.01.1	YKS- PR 0372221 04 33.23.02.1 33.23.02.1 33.23.02.1	
24	Z60- PR 0372593 06 33.23.11.1 33.33.46.1	DGV- PR 0370378 03 33.33.47.1 33.23.03.1 33.23.03.1	DGV- PR 0370378 03 33.33.47.1 33.33.43.1	DGU- PR 0370379 04 33.33.46.1 33.23.11.1	DGT- PR 0370380 04 33.23.00.1 33.23.11.1 33.23.00.1	YKS- PR 0372221 04 33.23.00.1 33.23.00.1 33.23.01.1	YKS- PR 0372221 04 33.23.02.1 33.23.02.1 33.23.02.1	

0826369

CIRCUIT CARD LOCATION CHART  
REMARKS

2'A4

2821 06.02.46.1  
131862 SHEET 3  
DATE MAR 07, 1968

NOTE 1  
33.23.10.1 33.23.10.1 33.23.10.1  
NOTE 2  
33.23.10.1 33.23.10.1 33.23.10.1  
NOTE 3  
33.33.41.1 33.23.02.1 33.23.02.1  
NOTE 4  
33.33.47.1 33.23.11.1 33.33.44.1 33.33.44.1

	A	B	C	REMARKS D	E	F	G	H
1								
2	DFQ- RP 0370225 03 32.12.03.1 32.13.02.1 32.12.02.1	CEX- RP 0372530 02 32.12.03.1 32.12.03.1 32.12.03.1 32.12.03.1	DFQ- RP 0370225 03 32.13.02.1 32.11.12.1 32.12.21.1	DKY- RP 0372528 02 32.12.12.1 32.11.13.1	Y3- RP 0370858 04 32.12.12.1 32.12.12.1		Z6J- RP 0372587 03 32.11.21.1 32.11.21.1 32.11.21.1	Z6H- RP 0372586 04 32.11.21.1 32.11.21.1 32.11.23.1 32.11.23.1
3	Z6P- RP 0372592 06 32.11.03.1 32.12.02.1 32.11.01.1 32.11.01.1 32.12.11.1 32.12.03.1	Z6J- RP 0372587 03 32.12.02.1 32.11.12.1 32.12.40.1	Z6L- RP 0372589 02 32.12.03.1 32.13.02.1	DKY- RP 0372528 02 32.12.12.1 32.12.14.1	Y3- RP 0370858 04 32.12.12.1		Z6J- RP 0372587 03 32.11.21.1 32.12.11.1 32.13.22.1	
4	DKY- RP 0372528 02 32.12.02.1 32.12.02.1	Z6M- RP 0372590 02 32.12.02.1 32.33.18.1	DFQ- RP 0370225 03 32.13.02.1 32.13.21.1	Z6P- RP 0372592 06 32.12.12.1 32.11.03.1 32.11.03.1 32.13.12.1 32.33.17.1	Y3- RP 0370858 04 32.12.12.1		DFQ- RP 0370225 03 32.11.21.1 32.11.21.1	DKX- RP 0372527 01 32.11.21.1 32.11.21.1 32.11.21.1 32.11.21.1
5	Z66- RP 0372585 04 32.11.21.1 32.12.02.1 32.12.02.1	Z6L- RP 0372589 02 32.12.14.1 32.13.32.1	Z6L- RP 0372589 02 32.12.12.1 32.11.24.1	DFQ- RP 0370225 03 32.13.12.1 32.13.02.1	Y3- RP 0370858 04 32.13.12.1 32.13.12.1		Z6H- RP 0372586 04 32.12.21.1 32.13.34.1 32.12.42.1 32.13.42.1	DKX- RP 0372527 01 32.11.21.1 32.11.21.1 32.11.21.1 32.11.21.1
6	Z6L- RP 0372589 02 32.13.02.1 32.13.02.1	CEX- RP 0372530 02 32.13.03.1 32.13.03.1 32.13.03.1 32.13.03.1	Z66- RP 0372585 04 32.12.03.1 32.13.02.1 32.11.14.1 32.12.32.1	DKY- RP 0372528 02 32.13.12.1 32.13.12.1	Y3- RP 0370858 04 32.13.12.1 32.13.12.1		Z6M- RP 0372590 02 32.11.24.1 32.11.24.1	DKX- RP 0372527 01 32.11.23.1 32.11.23.1 32.11.23.1 32.11.23.1
7	Z6P- RP 0372592 06 32.13.02.1 32.13.03.1 32.13.03.1 32.11.12.1 32.13.33.1 32.12.02.1	AXA- RP 0372197 04 32.11.12.1 32.11.15.1 32.11.15.1 32.11.15.1	AXA- RP 0372197 04 32.11.15.1 32.11.14.1 32.11.15.1	DKY- RP 0372528 02 32.11.16.1	Y3- RP 0370858 04 32.13.12.1		Z6H- RP 0372586 04 32.11.24.1 32.11.01.1 32.33.24.1 32.12.42.1	DKX- RP 0372527 01 32.11.23.1 32.11.23.1 32.11.23.1 32.11.23.1
8	Z6H- RP 0372586 04 32.13.02.1 32.13.02.1 32.33.17.1	Z6J- RP 0372587 03 32.11.03.1 32.11.03.1 32.12.42.1	Z6K- RP 0372588 03 32.13.22.1 32.2.21.1 32.12.22.1	DFQ- RP 0370225 03 32.12.02.1 32.12.32.1 32.13.31.1	DFR- RP 0370226 04 32.11.03.1 32.12.12.1 32.13.12.1 32.11.15.1	DGT- RP 0370380 04 32.11.04.1 32.11.04.1 32.11.04.1	CEY- RP 0372531 02 32.11.25.1 32.11.25.1 32.11.25.1 32.11.26.1 32.11.26.1	DKX- RP 0372527 01 32.11.24.1 32.11.24.1 32.11.24.1 32.11.24.1
9	Z6M- RP 0372590 02 32.11.01.1 32.11.01.1	Z6M- RP 0372590 02 32.11.01.1 32.11.03.1	Z6H- RP 0372586 04 32.11.04.1 32.11.04.1 32.12.11.1	CEY- RP 0372531 02 32.11.12.1 32.11.12.1 32.11.12.1 32.11.12.1 32.11.12.1 32.11.12.1	Z6P- RP 0372592 06 32.11.12.1 32.11.12.1 32.11.16.1 32.33.23.1 32.12.11.1 32.12.11.1	DFR- RP 0370226 04 32.11.13.1 32.11.14.1 32.11.14.1	DKX- RP 0372527 01 32.11.27.1 32.11.27.1 32.11.27.1 32.11.27.1 32.11.27.1	DKX- RP 0372527 01 32.11.25.1 32.11.25.1 32.11.25.1 32.11.25.1
10	DKZ- RP 0372529 01 32.11.01.1 32.11.01.1 32.11.01.1 32.11.01.1	Z6M- RP 0372590 02 32.11.03.1 32.11.03.1	Z6P- RP 0372592 06 32.12.03.1 32.11.03.1 32.11.03.1 32.12.34.1 32.11.04.1 32.12.34.1	DFR- RP 0370226 04 32.11.12.1 32.11.12.1 32.11.12.1	CEY- RP 0372531 02 32.11.13.1 32.11.13.1 32.11.13.1 32.11.13.1 32.11.13.1	CEY- RP 0372531 02 32.11.14.1 32.11.14.1 32.11.14.1	DFR- RP 0370226 04 32.11.14.1 32.11.15.1	Z6P- RP 0372592 06 32.11.13.1 32.11.13.1 32.11.15.1 32.11.15.1
11	Z66- RP 0372585 04 32.11.03.1 32.13.31.1 32.11.12.1 32.11.12.1	Z6M- RP 0372590 02 32.11.03.1 32.11.03.1	Z6J- RP 0372587 03 32.11.04.1 32.11.04.1 32.33.18.1	DFQ- RP 0370225 03 32.11.12.1 32.11.12.1	CEY- RP 0372531 02 32.11.13.1 32.11.13.1 32.11.13.1 32.11.13.1 32.11.27.1 32.11.27.1	Z66- RP 0372585 04 32.11.14.1 32.11.15.1 32.11.15.1 32.11.16.1	CEY- RP 0372531 02 32.11.15.1 32.11.15.1 32.11.15.1 32.11.15.1	DKX- RP 0372527 01 32.11.26.1 32.11.26.1 32.11.26.1 32.11.26.1
12	Z6J- RP 0372587 03 32.13.32.1 32.11.03.1 32.11.12.1		DKZ- RP 0372529 01 32.11.04.1 32.11.04.1 32.11.04.1 32.11.04.1	Z66- RP 0372585 04 32.13.21.1 32.11.13.1 32.11.13.1 32.11.14.1	DFR- RP 0370226 04 32.11.13.1 32.11.13.1 32.11.13.1	DGT- RP 0370380 04 32.12.40.1 32.13.40.1 32.12.40.1 32.13.32.1	DGT- RP 0370380 04 32.13.32.1 32.13.32.1 32.13.22.1	DHB- RP 0370348 06 32.13.32.1 32.13.32.1 32.13.32.1 32.12.40.1 32.33.17.1 32.13.33.1
13	DGT- RP 0370380 04 32.12.42.1 32.13.42.1 32.11.04.1 32.11.04.1	Z6J- RP 0372587 03 32.13.42.1 32.12.31.1 32.12.32.1	DFJ- RP 0370232 12 32.11.04.1 32.12.31.1 32.12.12.1 32.11.03.1 32.12.14.1 32.12.41.1 32.13.22.1	CEX- RP 0372530 02 32.12.34.1 32.12.34.1 32.12.34.1 32.12.42.1 32.12.42.1	DFR- RP 0370226 04 32.12.11.1 32.13.11.1 32.12.22.1 32.31.11.1	Z6K- RP 0372588 03 32.11.16.1 32.13.22.1 32.33.21.1	D6Y- RP 0370375 02 32.13.32.1 32.13.32.1	AXR- RP 0372240 02 32.12.40.1 32.12.40.1 32.12.40.1
14	Z6J- RP 0372587 03 32.13.02.1 32.12.32.1 32.12.22.1	DEN- RP 0372195 02 32.12.11.1 32.13.22.1	CEX- RP 0372530 02 32.11.16.1 32.11.16.1 32.12.21.1 32.12.21.1 32.12.21.1	Z6M- RP 0372590 02 32.12.11.1 32.12.11.1	Z66- RP 0372585 04 32.12.34.1 32.12.32.1 32.12.34.1 32.33.17.1	DFQ- RP 0370225 03 32.13.12.1 32.13.11.1 32.13.42.1	Z6N- RP 0372591 01 32.13.14.1 32.13.14.1	Z6M- RP 0372590 02 32.13.14.1 32.13.14.1

RE NOTE001

B

	A	B	C	REMARKS	E	F	G	H
15	DFR- RP 0370226 04 32.11.16.1 32.12.21.1 32.13.21.1 32.12.03.1	Z6L- RP 0372589 02 32.13.11.1 32.12.11.1	Z6J- RP 0372587 03 32.12.11.1 32.11.04.1 32.13.02.1	DKY- RP 0372528 02 32.13.11.1 32.12.11.1	DKX- RP 0372527 01 32.12.14.1 32.12.14.1 32.12.14.1 32.12.14.1	Z66- RP 0372585 04 32.11.24.1 32.11.24.1 32.13.42.1 32.11.24.1	DKX- RP 0372527 01 32.13.14.1 32.13.14.1 32.13.14.1 32.13.14.1	
16	DKZ- RP 0372529 01 32.12.21.1 32.12.21.1 32.12.21.1 32.12.21.1	Z66- RP 0372585 04 32.12.31.1 32.12.22.1 32.12.22.1 32.12.31.1	Z6K- RP 0372588 03 32.12.33.1 32.11.16.1	Z6L- RP 0372589 02 32.11.24.1 32.12.32.1	DKY- RP 0372528 02 32.12.14.1	DFR- RP 0370226 04 32.13.11.1 32.13.11.1 32.13.11.1 32.13.02.1	DFR- RP 0370226 04 32.13.11.1 32.13.11.1 32.12.34.1	
17	Z6L- RP 0372589 02 32.13.21.1 32.12.21.1		Z6J- RP 0372587 03 32.13.21.1 32.12.42.1 32.12.41.1	Z6M- RP 0372590 02 32.13.11.1 32.13.11.1	Z6L- RP 0372589 02 32.12.40.1 32.13.14.1	D6M- RP 0370377 03 32.33.24.1 32.33.18.1	D6M- RP 0370377 03 32.33.24.1 32.33.23.1	D6Y- RP 0370378 03 32.12.34.1 32.12.03.1 32.12.14.1
18	CEX- RP 0372530 02 32.12.21.1 32.12.21.1 32.12.21.1 32.12.31.1 32.12.31.1	DKY- RP 0372528 02 32.12.32.1	Z6H- RP 0372586 04 32.12.34.1 32.13.32.1	CEY- RP 0372531 02 32.12.11.1 32.12.11.1 32.12.11.1	DEN- RP 0372195 02 32.11.16.1	D6T- RP 0370380 04 32.33.24.1 32.33.24.1 32.33.24.1	Z6J- RP 0372587 03 32.13.25.1 32.13.11.1	D6T- RP 0370380 04 32.33.25.1 32.33.25.1
19	Z66- RP 0372585 04 32.12.34.1 32.12.22.1 32.12.22.1 32.12.03.1	Z6L- RP 0372589 02 32.12.32.1 32.12.32.1	Z6M- RP 0372590 02 32.13.33.1 32.11.01.1	Z6K- RP 0372588 03 32.12.42.1 32.12.42.1	Z6J- RP 0372587 03 32.13.11.1 32.11.04.1	D6U- RP 0370379 04 32.31.11.1 32.12.11.1 32.33.24.1 32.13.11.1	D6W- RP 0370377 03 32.11.04.1 32.33.25.1 32.33.23.1	D6H- RP 0372191 03 32.33.24.1 32.33.24.1 32.33.24.1 32.33.24.1 32.33.23.1
20	Z6N- RP 0372591 01 32.12.22.1 32.12.22.1	Z6M- RP 0372590 02 32.12.31.1 32.13.31.1	Z6H- RP 0372586 04 32.13.31.1 32.12.22.1	Z6P- RP 0372592 06 32.12.42.1 32.13.11.1 32.12.42.1 32.13.21.1 32.12.42.1 32.33.22.1	Z66- RP 0372585 04 32.13.31.1 32.13.31.1 32.13.33.1	Z6H- RP 0372586 04 32.12.21.1 32.32.13.1 32.33.23.1 32.32.13.1	D6T- RP 0370380 04 32.33.23.1 32.33.23.1 32.33.23.1	D6H- RP 0372191 03 32.33.24.1 32.33.24.1 32.33.24.1 32.33.24.1 32.33.23.1
21	Z6L- RP 0372589 02 32.12.22.1 32.12.33.1	Z66- RP 0372585 04 32.12.32.1 32.12.33.1 32.12.34.1	Z6P- RP 0372592 06 32.31.11.1 32.13.11.1 32.12.34.1 32.13.11.1 32.13.33.1	Z6M- RP 0372590 02 32.12.32.1 32.12.42.1	D6B- RP 0370348 06 32.12.22.1 32.12.22.1 32.12.22.1 32.12.22.1 32.12.11.1	D6B- RP 0370348 06 32.12.22.1 32.12.22.1 32.12.22.1 32.12.22.1 32.12.11.1	D6Y- CIO1 0370375 02 32.33.23.1 32.33.24.1	D6H- RP 0372191 03 32.33.23.1 32.33.23.1 32.33.23.1 32.12.42.1
22	Z6P- RP 0372592 06 32.12.40.1 32.11.16.1 32.13.33.1 32.12.32.1 32.12.41.1 32.12.41.1	Z6L- RP 0372589 02 32.12.42.1 32.33.17.1	Z66- RP 0372585 04 32.12.41.1 32.12.41.1 32.12.42.1 32.13.33.1	CEX- RP 0372530 02 32.13.33.1 32.13.33.1 32.13.33.1 32.13.22.1 32.13.22.1	DFR- RP 0370226 04 32.13.33.1 32.11.01.1 32.33.17.1	D6T- RP 0370380 04 32.12.34.1 32.11.16.1 32.12.14.1	AXN- RP 0372212 01 32.33.22.1 32.33.22.1 32.33.22.1	AXG- RP 0372206 01 32.33.22.1 32.33.22.1 32.33.22.1
23	Z6M- RP 0372590 02 32.13.42.1 32.11.04.1	Z66- RP 0372585 04 32.12.33.1 32.12.33.1 32.12.32.1	Z66- RP 0372585 04 32.12.34.1 32.13.31.1	Z6M- RP 0372590 02 32.12.33.1 32.13.22.1	DFR- RP 0370226 04 32.11.16.1 32.11.21.1 32.12.11.1	D6T- RP 0370380 04 32.11.12.1 32.12.41.1 32.12.41.1 32.33.18.1	D6Y- RP 0370375 02 32.33.24.1 32.33.23.1	D6W- RP 0370377 03 32.33.21.1 32.12.11.1 32.11.04.1
24	CEX- RP 0372530 02 32.13.21.1 32.13.21.1 32.13.21.1 32.13.21.1 32.13.21.1	Z66- RP 0372585 04 32.13.14.1 32.13.22.1 32.13.22.1 32.13.22.1	Z6P- RP 0372592 06 32.13.31.1 32.11.21.1 32.11.21.1 32.13.33.1 32.13.33.1	Z6M- RP 0372590 02 32.13.42.1 32.13.42.1	Z6H- RP 0372586 04 32.12.22.1 32.13.22.1 32.12.34.1	DFJ- RP 0370232 12 32.32.14.1 32.32.14.1 32.32.14.1 32.32.14.1 32.33.23.1 32.33.18.1 32.32.13.1	AXC- RP 0372202 02 32.33.17.1 32.33.17.1 32.33.18.1 32.33.18.1	DEN- RP 0372195 02 32.33.21.1 32.33.18.1
25	DFR- RP 0370226 04 32.13.22.1 32.31.11.1 32.12.21.1 32.13.21.1		Z6J- RP 0372587 03 32.13.31.1 32.13.31.1 32.13.42.1	Z6K- RP 0372588 03 32.13.42.1 32.13.42.1 32.12.34.1	AXV- RP 0372244 04 32.11.16.1 32.12.14.1 32.13.14.1		Z6M- RP 0372590 02 32.13.31.1 32.12.22.1	CEY- RP 0372531 02 32.33.18.1 32.33.18.1 32.33.17.1 32.33.17.1
26	Z6P- RP 0372592 06 32.13.21.1 32.13.21.1 32.13.33.1 32.13.33.1	Z6N- RP 0372591 01 32.13.22.1 32.13.22.1		Z66- RP 0372585 04 32.11.01.1 32.12.22.1 32.13.42.1 32.13.42.1	DFQ- RP 0370225 03 32.33.18.1 32.33.22.1 32.12.42.1	D6V- RP 0370378 03 32.32.13.1 32.32.13.1	D6C- RP 0370372 06 32.12.41.1 32.32.14.1 32.12.33.1 32.33.24.1 32.11.16.1 32.33.23.1	D6E- RP 0370348 06 32.11.24.1 32.33.18.1 32.33.18.1 32.11.24.1 32.11.16.1 32.33.21.1
27	Z6K- RP 0372588 03 32.13.21.1 32.12.33.1 32.11.03.1	Z6L- RP 0372589 02 32.13.32.1	Z6L- RP 0372589 02 32.13.33.1 32.12.34.1	Z6P- RP 0372592 06 32.13.42.1 32.13.42.1 32.13.42.1 32.12.41.1	DEN- RP 0372195 02 32.11.16.1 32.33.18.1	D6T- RP 0370380 04 32.32.13.1 32.13.02.1 32.32.14.1 32.33.18.1	D6W- RP 0370377 03 32.32.14.1 32.32.14.1 32.13.31.1	D6Y- RP 0370378 03 32.32.13.1 32.33.18.1 32.33.21.1
28	DKZ- RP 0372529 01 32.13.21.1 32.13.21.1 32.13.21.1	DKY- RP 0372528 02 32.13.31.1 32.12.32.1	Z6K- RP 0372588 03 32.11.16.1 32.11.04.1 32.12.32.1	Z6Q- RP 0372593 06 32.32.13.1 32.12.14.1 32.13.14.1 32.32.13.1 32.13.33.1 32.33.22.1	Z66- RP 0372585 04 32.12.34.1 32.12.34.1 32.12.22.1 32.12.21.1	Z6P- RP 0372592 06 32.11.03.1 32.32.13.1 32.12.22.1 32.32.13.1	D6T- RP 0370380 04 32.12.41.1 32.32.13.1 32.33.18.1	AQQ- RP 0370703 01 32.32.13.1





0826389

CIRCUIT CARD LOCATION CHART  
REMARKS

21B1

2821 00.03.10.1  
133298 SHEET 4  
DATE AUG 27, 1970

NOTE 1  
32.13.12.1 32.13.31.1 32.11.01.1 32.12.22.1

NOTE 2  
32.33.17.1 32.13.42.1 32.12.40.1 32.32.13.1

NOTE 3  
32.33.21.1 32.12.40.1 32.13.32.1

A	B	C	REMARKS	D	E	F	G	H
					UGT- RP 0372976 04 32.31.04.1 32.31.04.1 32.31.04.1 32.31.04.1	UGT- RP 0372976 04 32.20.15.1 32.20.15.1 32.20.15.1 32.20.15.1	YYN- RP 0372723 05 32.31.01.1 32.31.01.1 32.31.01.1 32.31.01.1	UGT- RP 0372976 04 32.31.04.1 32.31.04.1 32.31.04.1 32.31.04.1
							E	
				DGT- RP 0370380 04 32.32.11.1 32.32.11.1 32.31.04.1 32.31.04.1	UGT- RP 0372976 04 32.31.04.1 32.31.04.1 32.31.04.1 32.31.04.1	UGT- RP 0372976 04 32.20.16.1 32.20.16.1 32.20.16.1 32.20.16.1	YYN- RP 0372723 05 32.31.02.1 32.31.02.1 32.31.02.1 32.31.02.1	YYN- RP 0372723 05 32.31.01.1 32.31.01.1 32.31.01.1 32.31.01.1
							E	E
	DFR- RP 0370226 04 32.31.01.1 32.31.05.1 32.31.11.1 32.31.11.1	DGT- RP 0370380 04 32.31.01.1 32.31.01.1 32.31.01.1 32.31.02.1	DHB- RP 0370348 06 32.31.01.1 32.31.01.1 32.31.01.1 32.20.53.1 32.20.53.1	UGT- RP 0372976 04 32.31.04.1 32.31.04.1 32.31.04.1 32.31.04.1	UGT- RP 0372976 04 32.20.17.1 32.20.17.1 32.33.16.1 32.31.04.1	YYN- RP 0372723 05 32.31.02.1 32.31.02.1 32.31.02.1 32.31.02.1	YYN- RP 0372723 05 32.31.02.1 32.31.02.1 32.31.01.1 32.31.01.1	
							E	E
	DHB- RP 0370348 06 32.31.01.1 32.31.05.1 32.31.08.1 32.31.08.1 32.31.08.1 32.31.05.1	AXW- RP 0372236 01 32.33.15.1 32.33.15.1 32.33.15.1 32.33.15.1 32.33.15.1	DFJ- RP 0370232 12 32.20.15.1 32.20.15.1 32.20.15.1 32.20.15.1 32.20.15.1 32.20.15.1 RE NOTE001	AXV- RP 0372244 04 32.20.15.1 32.20.15.1 32.20.15.1 32.20.15.1	AXV- RP 0372244 04 32.20.16.1 32.20.16.1 32.20.16.1 32.20.16.1	AXV- RP 0372244 04 32.20.17.1 32.20.17.1 32.20.01.1 32.20.01.1	CEY- RP 0372531 02 32.20.16.1 32.20.16.1 32.20.16.1 32.20.16.1 32.20.16.1	
							E	E
	DGV- RP 0370378 03 32.20.44.1 32.20.53.1 32.20.53.1	AXW- RP 0372236 01 32.33.15.1 32.33.15.1 32.33.15.1 32.33.15.1	AXN- RP 0372212 01 32.20.18.1 32.20.18.1 32.20.18.1 32.20.18.1	AXN- RP 0372212 01 32.20.19.1 32.20.19.1 32.20.19.1 32.20.19.1	Z6Q- RP 0372593 06 32.20.15.1 32.20.15.1 32.20.15.1 32.20.16.1	CEY- RP 0372531 02 32.20.15.1 32.20.15.1 32.20.15.1 32.20.15.1	CEY- RP 0372531 02 32.20.16.1 32.20.16.1 32.20.16.1 32.20.16.1	
							E	E
	AQN- RP 0370690 12 32.20.15.1 32.20.15.1 32.20.15.1 32.20.15.1 32.20.16.1 32.20.16.1 32.20.16.1 RE NOTE002	AXW- RP 0372236 01 32.33.16.1 32.33.16.1 32.33.16.1 32.33.16.1	AXN- RP 0372212 01 32.20.18.1 32.20.18.1 32.20.18.1 32.20.18.1	AXN- RP 0372212 01 32.20.19.1 32.20.19.1 32.20.19.1 32.20.19.1	Z6Q- RP 0372593 06 32.20.16.1 32.20.16.1 32.20.17.1 32.20.02.1	CEY- RP 0372531 02 32.20.15.1 32.20.15.1 32.20.15.1 32.20.15.1	CEY- RP 0372531 02 32.20.17.1 32.20.17.1 32.20.17.1 32.20.17.1	
							E	E
	DFR- RP 0370226 04 32.31.01.1 32.31.01.1 32.20.12.1 32.33.11.1	DHF- RP 0370350 02 32.33.11.1 32.33.11.1	AXN- RP 0372212 01 32.20.18.1 32.20.18.1 32.20.18.1 32.20.18.1	YKS- RP 0372221 04 32.20.11.1 32.20.11.1 32.20.11.1 32.20.11.1	YKS- RP 0372221 04 32.20.12.1 32.20.12.1 32.20.12.1 32.20.12.1	YKS- RP 0372221 04 32.20.13.1 32.20.13.1 32.20.13.1 32.20.15.1	YKS- RP 0372221 04 32.20.14.1 32.20.14.1 32.20.14.1 32.20.16.1	
				D	D			
	AXA- RP 0372197 04 32.20.12.1 32.20.12.1 32.20.12.1	DHF- RP 0370350 02 32.33.11.1 32.33.11.1	AXN- RP 0372212 01 32.20.19.1 32.20.19.1 32.20.19.1 32.20.19.1	YKS- RP 0372221 04 32.20.11.1 32.20.11.1 32.20.11.1	YKS- RP 0372221 04 32.20.12.1 32.20.12.1 32.20.12.1	YKS- RP 0372221 04 32.20.13.1 32.20.13.1 32.20.15.1	YKS- RP 0372221 04 32.20.14.1 32.20.14.1 32.20.16.1	
				D	D			
	AXA- RP 0372197 04 32.20.12.1 32.20.14.1 32.20.14.1 32.20.14.1	DHF- RP 0370350 02 32.33.12.1 32.33.12.1	AXR- RP 0372240 02 32.20.18.1 32.20.18.1 32.20.18.1 32.20.19.1	YKS- RP 0372221 04 32.20.11.1 32.20.11.1 32.20.11.1	YKS- RP 0372221 04 32.20.12.1 32.20.12.1 32.20.12.1	YKS- RP 0372221 04 32.20.13.1 32.20.13.1 32.20.15.1	YKS- RP 0372221 04 32.20.14.1 32.20.14.1 32.20.16.1	
				D	E			
	AXA- RP 0372197 04 32.20.14.1 32.20.14.1 32.20.12.1 32.20.02.1	Z6Q- RP 0372593 06 32.20.02.1 32.20.03.1 32.31.07.1 32.20.02.1	DGT- RP 0370380 04 32.20.53.1 32.31.01.1 32.31.05.1 32.33.16.1	YKS- RP 0372221 04 32.20.11.1 32.20.11.1 32.20.11.1	YKS- RP 0372221 04 32.20.12.1 32.20.12.1 32.20.12.1	YKS- RP 0372221 04 32.20.13.1 32.20.13.1 32.20.15.1	YKS- RP 0372221 04 32.20.14.1 32.20.14.1 32.20.17.1	
				D	D			
	AXG- RP 0372206 01 32.33.16.1 32.33.16.1 32.33.16.1 32.33.16.1	Z6Q- RP 0372593 06 32.20.12.1 32.20.12.1 32.20.01.1 32.20.14.1 32.31.01.1	AXV- RP 0372244 04 32.20.13.1 32.20.02.1 32.20.02.1	YKS- RP 0372221 04 32.20.11.1 32.20.11.1 32.20.11.1	YKS- RP 0372221 04 32.20.12.1 32.20.12.1 32.20.12.1	YKS- RP 0372221 04 32.20.13.1 32.20.13.1 32.20.16.1	YKS- RP 0372221 04 32.20.14.1 32.20.14.1 32.20.17.1	
				D	D			
	DGV- RP 0370378 03 32.20.53.1 32.31.07.1 32.31.07.1	D6X- RP 0370376 02 32.31.07.1 32.31.07.1	D6U- RP 0370379 04 32.20.33.1 32.20.33.1 32.20.45.1 32.31.02.1	D6W- RP 0370375 02 32.20.01.1 32.20.11.1 32.20.44.1	ES6- RP 0374907 06 32.20.11.1 32.20.11.1	ES6- RP 0374907 06 32.20.13.1 32.20.13.1 32.20.17.1 32.20.17.1 32.20.17.1	YKW- RP 0372225 03 32.20.21.1 32.20.21.1	
					F C D E			C
	DHC- RP 0370372 06 32.31.04.1 32.31.04.1 32.20.53.1 32.20.01.1	DGT- RP 0370380 04 32.31.07.1 32.31.07.1 32.31.07.1 32.31.07.1	D6X- RP 0370376 02 32.20.52.1	DFJ- RP 0370232 12 32.20.18.1 32.20.18.1 32.20.18.1 32.20.18.1 32.20.18.1 32.20.18.1 32.20.18.1 32.20.18.1 32.20.18.1 32.20.18.1 32.20.18.1 32.20.18.1 32.20.18.1 32.20.18.1 RE NOTE003	DGY- RP 0370375 02 32.20.18.1 32.20.13.1	ES6- RP 0374907 06 32.20.12.1 32.20.12.1	ES6- RP 0374907 06 32.20.14.1 32.20.14.1 32.20.17.1 32.20.17.1 32.20.17.1	
	E F				F C D E			C

A	B	C	D	E	F	G	H	
15		DHB- RP 0370348 06 32.20.03.1 32.20.05.1 32.20.05.1 32.20.33.1 32.20.45.1 32.33.15.1	ZGP- RP 0372592 06 32.20.51.1 32.20.51.1 32.20.52.1 32.20.04.1 32.31.01.1 32.20.53.1	DGW- RP 0370377 03 32.20.45.1 32.20.53.1 32.20.53.1	AQN- RP 0370690 12 32.20.13.1 32.20.11.1 32.20.02.1 32.31.02.1 32.20.12.1	YKX- RP 0372226 01 32.20.21.1	YKY- RP 0372227 03 32.20.21.1 32.20.21.1	
16		DFQ- RP 0370225 03 32.20.11.1 32.20.14.1	DGT- RP 0370380 04 32.20.52.1 32.20.53.1 32.31.06.1	AXN- RP 0372212 01 32.20.53.1 32.20.53.1 32.20.53.1	ZGP- RP 0372592 06 32.20.53.1 32.31.06.1 32.31.06.1 32.31.06.1 32.33.16.1	YKU- RP 0372223 01 32.20.21.1	YKY- RP 0372223 01 32.20.21.1	
17		DHC- RP 0370372 06 32.20.05.1 32.20.05.1 32.20.05.1 32.20.05.1 32.20.05.1	DHJ- RP 0370352 01 32.20.51.1 32.20.51.1 32.20.51.1 32.20.51.1 32.20.51.1	AXC- RP 0372202 02 32.31.06.1 32.31.06.1 32.31.06.1 32.31.06.1	YKV- RP 0372224 01 32.20.22.1	YKT- RP 0372222 01 32.20.21.1	YKT- RP 0372222 01 32.20.21.1	
18		DHC- RP 0370372 06 32.20.05.1 32.20.05.1 32.20.05.1 32.20.05.1	DFR- RP 0370226 04 32.20.12.1 32.32.11.1	DGY- RP 0370375 02 32.20.12.1 32.20.14.1	DHJ- RP 0370352 01 32.20.51.1 32.20.51.1 32.20.51.1 32.20.51.1	DGU- RP 0370379 04 32.20.31.1 32.20.31.1 32.20.32.1	YKV- RP 0372224 01 32.20.22.1	DJA- RP 0373329 04 32.20.21.1 32.20.21.1 32.20.21.1
19		DGT- RP 0370380 04 32.20.53.1 32.31.07.1 32.20.53.1 32.31.07.1	DHB- RP 0370348 06 32.20.03.1 32.31.01.1 32.31.05.1 32.20.52.1 32.20.14.1	DGT- RP 0370380 04 32.20.03.1 32.20.45.1 32.33.15.1 32.20.53.1	DHJ- RP 0370352 01 32.20.52.1 32.20.52.1 32.20.52.1 32.20.52.1	DGU- RP 0370379 04 32.20.32.1 32.20.32.1 32.20.33.1 32.20.33.1	YKV- RP 0372224 01 32.20.22.1	DJB- RP 0373330 12 32.20.22.1 32.20.31.1 32.20.31.1 32.20.32.1 32.20.32.1 32.20.33.1
20		DGV- RP 0370370 03 32.20.53.1 32.20.53.1 32.31.07.1	DGW- RP 0370377 03 32.20.44.1 32.31.07.1 32.20.53.1	DFR- RP 0370226 04 32.31.07.1 32.20.05.1 32.20.53.1 32.31.01.1	DHJ- RP 0370352 01 32.20.52.1 32.20.52.1 32.20.52.1 32.20.52.1	DGU- RP 0370379 04 32.20.33.1 32.20.34.1 32.20.34.1	YKV- RP 0372224 01 32.20.22.1	DJB- RP 0373330 12 32.20.33.1 32.20.34.1 32.20.34.1 32.20.34.1 32.20.22.1
21		DFJ- RP 0370232 12 32.31.07.1 32.31.02.1 32.31.01.1 32.20.03.1 32.20.47.1 32.31.04.1	ZGH- RP 0372586 04 32.31.07.1 32.20.44.1 32.31.01.1 32.20.53.1	DFR- RP 0370226 04 32.20.35.1 32.20.35.1 32.31.05.1 32.31.02.1	DGW- RP 0370377 03 32.20.41.1 32.20.41.1 32.20.41.1	DGT- RP 0370380 04 32.31.05.1 32.20.53.1 32.20.02.1 32.20.53.1	YKV- RP 0372224 01 32.20.22.1	DJB- RP 0373330 12 32.20.22.1 32.20.22.1 32.20.25.1 32.20.35.1 32.20.35.1 42.20.36.1 42.20.36.1 32.20.35.1
22		DFR- RP 0370226 04 32.20.11.1 32.33.12.1 32.31.07.1 32.20.04.1	DGV- RP 0370370 03 32.20.53.1 32.20.53.1 32.20.01.1	DHC- RP 0370372 06 32.20.53.1 32.20.05.1 32.20.33.1 32.31.01.1 32.31.02.1 32.20.52.1	DGV- RP 0370378 03 32.20.41.1 32.20.41.1 32.20.41.1	DFR- RP 0370226 04 32.20.31.1 32.20.31.1 32.20.31.1	YKR- RP 0372220 03 32.20.31.1 32.20.41.1 32.20.41.1	YKR- RP 0372220 03 32.20.31.1 32.20.41.1 32.20.41.1
23		ZGK- RP 0372588 03 32.20.03.1 32.31.02.1 32.31.07.1	DGX- RP 0370376 02 32.31.07.1 32.20.45.1	ZGL- RP 0372589 02 32.20.02.1 32.31.07.1	DGW- RP 0370377 03 32.20.41.1 32.20.42.1 32.20.42.1	DFR- RP 0370226 04 32.20.31.1 32.20.31.1 32.20.32.1	YKR- RP 0372220 03 32.20.31.1 32.20.41.1 32.20.41.1	YLA- RP 0372229 02 32.20.31.1 32.20.31.1 32.20.32.1
24		ZGG- RP 0372585 04 32.20.01.1 32.20.53.1 32.20.03.1 32.20.03.1	ZGJ- RP 0372587 03 32.20.02.1 32.31.04.1 32.20.02.1	DFQ- RP 0370225 03 32.20.02.1 32.31.05.1 32.31.02.1	DGV- RP 0370378 03 32.20.41.1 32.20.42.1 32.20.42.1	DFR- RP 0370226 04 32.20.32.1 32.20.32.1 32.20.32.1	YKR- RP 0372220 03 32.20.32.1 32.20.42.1 32.20.42.1	YLA- RP 0372229 02 32.20.32.1 32.20.32.1 32.20.32.1
25		ZGG- RP 0372585 04 32.31.02.1 32.20.03.1 32.20.04.1	ZGP- RP 0372592 06 32.20.03.1 32.20.52.1 32.20.35.1 32.31.05.1 32.31.05.1	DGV- RP 0370378 03 32.31.05.1 32.31.05.1	DGW- RP 0370377 03 32.20.42.1 32.20.42.1 32.20.43.1	DFR- RP 0370226 04 32.20.33.1 32.20.33.1 32.20.33.1	YKR- RP 0372220 03 32.20.33.1 32.20.42.1 32.20.42.1	YLA- RP 0372229 02 32.20.33.1 32.20.33.1 32.20.33.1
26		ZGP- RP 0372592 06 32.20.03.1 32.20.03.1 32.20.03.1 32.20.03.1 32.31.05.1	DHF- RP 0370350 02 32.32.11.1 32.32.11.1	DHF- RP 0370350 02 32.32.11.1 32.32.11.1	DGV- RP 0370378 03 32.20.42.1 32.20.43.1 32.20.43.1	DFR- RP 0370226 04 32.20.33.1 32.20.33.1 32.20.33.1 32.20.34.1	YKR- RP 0372220 03 32.20.33.1 32.20.43.1 32.20.43.1	YLA- RP 0372229 02 32.20.33.1 32.20.34.1 32.20.34.1
27		ZGG- RP 0372585 04 32.20.04.1 32.20.04.1 32.20.04.1 32.31.05.1	DFR- RP 0370226 04 32.20.02.1 32.20.04.1 32.32.11.1	DHF- RP 0370350 02 32.32.11.1 32.32.11.1	DGW- RP 0370377 03 32.20.43.1 32.20.43.1 32.20.43.1	DFR- RP 0370226 04 32.20.34.1 32.20.34.1 32.20.34.1 32.20.34.1	YKR- RP 0372220 03 32.20.43.1 32.20.43.1 32.20.43.1	YLA- RP 0372229 02 32.20.34.1 32.20.34.1 32.20.34.1
28		ZGG- RP 0372585 04 32.20.04.1 32.20.04.1 32.20.02.1 32.20.04.1	DFR- RP 0370226 04 32.20.04.1 32.20.03.1 32.20.03.1	DHF- RP 0370350 02 32.20.01.1 32.20.17.1	DGV- RP 0370378 03 32.20.43.1 32.20.43.1 32.20.43.1	ZGJ- RP 0372587 03 32.20.02.1 32.20.53.1 32.31.07.1	DFR- RP 0370226 04 32.20.34.1 32.20.34.1 32.31.05.1	YLA- RP 0372229 02 32.20.34.1 32.20.34.1

15  
16  
17  
18  
19  
20  
21  
22  
23  
24  
25  
26  
27  
28

C  
B  
K L M  
G H J  
C  
E

RE NOTE004  
RE NOTE005  
RE NOTE006  
RE NOTE007

M  
G  
D  
J  
E  
L  
F  
D  
C

D  
C

D  
C

D  
C

D  
C

D  
C

D  
C

D  
C

D  
C

D  
C

D  
C

D  
C

D  
C

D  
C

D  
C

D  
C

D  
C

D  
C

D  
C

D  
C

D  
C

D  
C

D  
C

D  
C

D  
C

D  
C



0826399

CIRCUIT CARD LOCATION CHART  
REMARKS

21B3

2821 00.03.30.1  
131803 SHEET 4  
DATE DEC 26, 1967

NOTE 1	32.20.17.1	32.20.17.1	32.20.14.1	32.20.12.1
NOTE 2	32.20.17.1	32.20.17.1	32.31.02.1	32.31.02.1
NOTE 3	32.20.12.1	32.31.06.1	32.20.12.1	32.20.01.1
NOTE 4	32.20.51.1	32.20.51.1	32.20.51.1	
NOTE 5	32.20.51.1	32.20.51.1	32.20.51.1	
NOTE 6	32.20.52.1	32.20.52.1	32.20.52.1	
NOTE 7	32.20.52.1	32.20.52.1	32.20.52.1	

	A	B	C	REMARKS D	E	F	G	H
1								
2								
3								
4	DKX- RP 0372527 01 32.20.67.1 32.20.67.1 32.20.67.1 32.20.67.1 32.20.67.1	DKX- RP 0372527 01 32.20.67.1 32.20.67.1 32.20.67.1 32.20.67.1 32.20.67.1	DKX- RP 0372527 01 32.20.78.1 32.20.78.1 32.20.78.1 32.20.78.1 32.20.78.1		DFG- PFR 0370225 03 42.31.01.1 42.33.01.1	ZGM- RP 0372590 02 42.12.01.1		
5	DKX- RP 0372527 01 32.20.67.1 32.20.67.1 32.20.67.1 32.20.67.1 32.20.67.1	DKX- RP 0372527 01 32.20.78.1 32.20.78.1 32.20.78.1 32.20.78.1 32.20.78.1	DKX- RP 0372527 01 32.20.79.1 32.20.79.1 32.20.79.1 32.20.79.1 32.20.79.1		C DFG- PFR 0370225 03 42.12.01.1 42.13.27.1 42.12.03.1	E ZGL- RP 0372589 02 42.12.01.1 42.31.01.1		
6	DKX- RP 0372527 01 32.20.67.1 32.20.67.1 32.20.67.1 32.20.67.1 32.20.67.1	DKX- RP 0372527 01 32.20.78.1 32.20.78.1 32.20.78.1 32.20.78.1 32.20.78.1	DKX- RP 0372527 01 32.20.79.1 32.20.79.1 32.20.79.1 32.20.79.1 32.20.79.1	CEX- CB 0372530 02 42.11.01.1 42.11.01.1 42.11.01.1 42.11.01.1 42.11.01.1	CEY- PFR 0372531 02 42.12.02.1 42.12.02.1 42.12.02.1 42.12.02.1	ZGG- PFR 0372585 04 42.33.01.1 42.12.02.1 42.12.02.1 42.12.02.1	ZGH- PFR 0372586 04 42.12.03.1 42.12.03.1 42.12.02.1 42.12.02.1	
7	ZGG- RP 0372585 04 32.20.61.1 32.20.61.1 32.20.61.1 32.20.61.1	ZGG- RP 0372585 04 32.20.61.1 32.20.61.1 32.20.61.1 32.20.61.1	DKX- RP 0372527 01 32.20.79.1 32.20.79.1 32.20.79.1 32.20.79.1	ZGH- CB 0372586 04 42.31.02.1	ZGH- RP 0372586 04 42.12.01.1 42.12.01.1 42.12.01.1 42.12.01.1	DGV- PFR 0370378 03 42.12.03.1		
8	ZGP- RP 0372592 06 32.20.61.1 32.20.61.1 32.20.61.1 32.20.61.1 32.20.61.1 32.20.61.1 32.20.79.1	ZGK- RP 0372588 03 32.20.61.1 32.20.67.1 32.20.61.1	ZGQ- RP 0372593 06 32.20.62.1 32.20.64.1 32.20.66.1 32.20.70.1 32.20.71.1	CEY- RP 0372531 02 42.32.02.1 42.32.02.1 42.32.02.1 42.13.27.1 42.13.27.1	A ZGH- RP 0372586 04 42.12.01.1 42.12.01.1 42.12.01.1	B C ZGG- PFR 0372585 04 42.12.03.1 42.12.03.1 42.12.03.1 42.12.03.1	ZGQ- RP 0372593 06 42.11.01.1 42.11.01.1	E A C D
9	DKY- RP 0372528 02 32.20.62.1 32.20.62.1	ZGN- RP 0372591 01 32.20.62.1 32.20.62.1	DFJ- RP 0370232 12 32.20.62.1 32.20.63.1 32.20.64.1 32.20.66.1 32.20.67.1 32.20.78.1 32.20.71.1 RE NOTE 01	ZGJ- PFR 0372587 03 42.12.02.1 42.31.01.1 42.12.02.1	DGW- PFR 0370377 03 42.12.02.1 42.23.01.1 42.23.01.1	DGW- PFR 0370377 03 42.23.01.1 42.23.02.1 42.23.02.1		
10	ZGL- RP 0372589 02 32.20.62.1 32.20.66.1	DKX- RP 0372527 01 32.20.63.1 32.20.63.1 32.20.63.1 32.20.63.1 32.20.63.1	DKX- RP 0372527 01 32.20.63.1 32.20.63.1 32.20.63.1 32.20.63.1 32.20.63.1	ZGH- PFR 0372586 04 42.23.02.1 42.13.27.1 42.12.02.1 42.33.01.1	DGW- PFR 0370377 03 42.23.01.1 42.23.01.1 42.23.01.1	DGW- PFR 0370377 03 42.23.02.1 42.23.02.1 42.23.02.1		
11	CEX- RP 0372530 02 32.20.64.1 32.20.64.1 32.20.64.1 32.20.73.1 32.20.73.1	DKZ- RP 0372529 01 32.20.64.1 32.20.64.1 32.20.64.1 32.20.64.1	DKZ- RP 0372529 01 32.20.63.1 32.20.63.1 32.20.63.1 32.20.63.1	ZGG- RP 0372585 04 42.31.02.1 42.31.02.1 32.20.79.1 42.31.02.1	DEN- RP 0372195 02 42.12.03.1 32.20.79.1	ZGG- PFR 0372585 04 42.13.27.1 42.13.27.1 42.12.02.1 42.33.01.1		
12	DKX- RP 0372527 01 32.20.65.1 32.20.65.1 32.20.65.1 32.20.65.1 32.20.65.1	DKX- RP 0372527 01 32.20.65.1 32.20.65.1 32.20.65.1 32.20.65.1 32.20.65.1	DKX- RP 0372527 01 32.20.64.1 32.20.64.1 32.20.64.1 32.20.64.1 32.20.64.1	DJU- RP 0370379 04 42.23.03.1 42.23.03.1 42.23.03.1 42.23.03.1	DGU- RP 0370379 04 42.23.03.1 42.23.03.1 42.23.04.1 42.23.04.1	DGU- RP 0370379 04 42.23.04.1 42.23.04.1 42.23.04.1		
13	ZGG- RP 0372585 04 32.20.65.1 32.20.70.1 32.20.70.1	ZGP- RP 0372592 06 32.20.65.1 32.20.66.1 32.20.66.1 32.20.66.1 32.20.61.1	DKY- RP 0372528 02 32.20.66.1 32.20.66.1	DHB- CB 0370348 06 42.11.01.1 42.11.01.1 42.31.02.1	DGX- PFR 0370376 02 42.13.27.1 42.33.02.1			
14	ZGH- RP 0372586 04 32.20.66.1 32.20.66.1 32.20.66.1	ZGJ- RP 0372591 01 32.20.66.1 32.20.70.1	ZGP- RP 0372592 06 32.20.62.1 32.20.62.1 32.20.63.1 32.20.64.1 32.20.64.1 32.20.65.1	DGT- RP 0370380 04 42.12.03.1 42.12.03.1 42.12.03.1 32.20.67.1	DGU- RP 0370379 04 42.12.03.1 42.31.02.1 42.31.02.1	DFQ- RP 0370225 03 42.23.04.1 42.23.03.1		

	A	B	C	REMARKS	E	F	G	H	
15	DFJ- RP 0370232 12 32.20.70.1 42.11.01.1 32.20.71.1 32.20.61.1 32.20.72.1 32.20.77.1 42.12.02.1	ZGP- RP 0372592 06 32.20.70.1 32.20.71.1 32.20.67.1 32.20.72.1 32.20.73.1 32.20.74.1	ZGP- RP 0372592 06 32.20.70.1 32.20.70.1 32.20.70.1 32.20.80.1 32.20.80.1 42.31.02.1	DGT- CB 0370380 04 42.31.02.1 42.31.02.1 42.31.02.1	HFT- RP 0372575 01 42.31.02.1			ZGP- RP 0372592 06 42.11.01.1 42.11.01.1 42.12.02.1 42.31.01.1 42.31.01.1	
	RE NOTE002			B				E	
	DKX- RP 0372527 01 32.20.72.1 32.20.72.1 32.20.72.1 32.20.72.1 32.20.72.1	ZGG- RP 0372585 04 32.20.71.1 32.20.71.1 32.20.71.1 32.20.71.1 32.20.71.1	ZGH- RP 0372586 04 32.20.72.1 32.20.72.1 32.20.72.1 32.20.72.1 32.20.65.1	ZGH- CB 0372586 04 42.32.01.1 42.32.01.1 42.32.01.1 42.32.01.1 42.32.01.1	ZGH- CB 0372586 04 42.32.01.1 42.32.01.1 42.32.01.1 42.32.01.1 42.32.01.1	ZGH- CB 0372586 04 42.32.02.1 42.32.02.1 42.32.02.1 42.32.02.1 42.32.02.1	DGT- RP 0370380 04 42.31.01.1 42.31.01.1 42.31.01.1 42.31.01.1 42.31.02.1		
	ZGM- RP 0372590 02 32.20.72.1 32.20.70.1	ZGM- RP 0372590 02 32.20.73.1 32.20.73.1	ZGM- RP 0372590 02 32.20.73.1 32.20.73.1	DGV- PFR 0370378 03 42.33.01.1 42.33.01.1 42.33.01.1	DGV- PFR 0370378 03 42.33.01.1 42.33.01.1 42.33.01.1	DGV- PFR 0370378 03 42.33.02.1 42.33.02.1 42.33.02.1	DGU- RP 0370379 04 42.11.01.1 42.11.01.1 42.11.01.1 42.31.02.1		
	DKX- RP 0372527 01 32.20.73.1 32.20.73.1 32.20.73.1 32.20.73.1 32.20.73.1	DKX- RP 0372527 01 32.20.74.1 32.20.74.1 32.20.74.1 32.20.74.1 32.20.74.1	DKZ- RP 0372529 01 32.20.74.1 32.20.74.1 32.20.74.1 32.20.74.1 32.20.74.1	DGV- PFR 0370378 03 42.33.02.1 42.33.02.1 42.13.27.1	DGV- RP 0370378 03 42.23.03.1 42.23.03.1 42.23.04.1	DKY- PFR 0372528 02 42.13.27.1 42.23.02.1	ZGM- RP 0372590 02 42.31.01.1		
19	ZGJ- RP 0372587 03 32.20.74.1 32.20.75.1 32.20.76.1	ZGK- RP 0372588 03 32.20.75.1 32.20.75.1 32.20.65.1	CFY- RP 0372531 02 32.20.75.1 32.20.75.1 32.20.75.1 32.20.75.1 32.20.75.1	ZGH- PFR 0372586 04 42.12.03.1 42.12.02.1 42.12.03.1 42.12.02.1	ZGP- RP 0372592 06 42.12.02.1 42.12.02.1 42.12.03.1 42.12.02.1	ZGQ- CIO1 0372593 06 42.14.01.1 42.14.01.1 42.14.01.1 42.14.01.1	ZGM- RP 0372586 04 42.12.01.1 42.11.01.1 42.32.01.1		
	ZGP- RP 0372592 06 32.20.75.1 32.20.75.1 32.20.75.1 32.20.76.1 32.20.76.1	ZGJ- RP 0372587 03 32.20.76.1 32.20.76.1 32.20.76.1	ZGJ- RP 0372587 03 32.20.76.1 32.20.76.1 42.12.02.1	DGM- PFR 0370377 03 42.13.27.1 42.23.02.1 42.23.02.1	ZGK- RP 0372588 03 42.12.02.1 42.11.01.1 42.12.01.1	DKY- CIO1 0372528 02 42.14.01.1 42.14.01.1	DGX- RP 0370376 02 32.20.67.1 32.20.79.1		
	ZGP- RP 0372592 06 32.20.76.1 32.20.76.1 32.20.76.1 32.20.77.1 42.31.02.1 32.20.80.1	DKX- RP 0372527 01 32.20.76.1 32.20.76.1 32.20.76.1 32.20.76.1 32.20.76.1	DKZ- RP 0372529 01 32.20.77.1 32.20.77.1 32.20.77.1 32.20.77.1	DFJ- RP 0370232 12 32.20.79.1 42.31.01.1 42.12.03.1 42.12.03.1	DKZ- PFR 0372529 01 42.12.02.1 42.12.02.1 42.12.02.1	ZGM- CIO1 0372590 02 42.14.01.1 42.14.01.1	DGV- RP 0370378 03 32.20.67.1 32.20.79.1		
	ZGJ- RP 0372587 03 42.12.03.1 32.20.79.1 32.20.66.1	DFR- RP 0370226 04 32.20.62.1 32.20.80.1 32.20.70.1 32.20.71.1	DKX- RP 0372527 01 32.20.77.1 32.20.77.1 32.20.77.1 32.20.77.1	DGM- RP 0370377 03 32.20.80.1 42.12.01.1 42.31.02.1	ZGH- CIO1 0372586 04 42.14.01.1 42.14.01.1 42.14.01.1	ZGK- CIO1 0372588 03 42.14.01.1 42.14.01.1 42.14.01.1	DGT- RP 0370380 04 32.20.79.1 42.11.01.1 42.11.01.1 42.11.01.1		
	DFQ- RP 0370225 03 32.20.70.1 32.20.70.1 32.20.70.1	ZGQ- RP 0372593 06 32.20.71.1 32.20.61.1 32.20.67.1 42.31.01.1 32.20.79.1	DFR- RP 0370226 04 32.20.71.1 32.20.62.1 32.20.62.1	ZGK- PFR 0372588 03 42.12.03.1 42.12.02.1 42.12.02.1	AQQ- CIO1 0370703 01 42.14.01.1	DFJ- CIO1 0370232 12 42.14.01.1 42.14.01.1 42.14.01.1 42.14.01.1 42.14.01.1	ZGH- RP 0372586 04 42.32.01.1 42.32.01.1 42.31.01.1 42.32.02.1		
RE NOTE003									
24	DGT- RP 0370380 04 32.20.80.1 32.20.80.1 42.31.02.1 42.31.02.1			DFR- RP 0370226 04 42.31.02.1 42.31.01.1 42.31.02.1			DGT- CIO1 0370380 04 42.14.01.1 42.14.01.1		
				C			C D		



0826409

CIRCUIT CARD LOCATION CHART  
REMARKS

2184

2821

32.04.01.1

SHEET 3

125601

DATE NOV 18, 1965

NOTE 1  
42.12.02.1 42.11.01.1 32.20.61.1 32.20.61.1  
NOTE 2  
42.31.02.1 42.12.02.1 42.31.02.1 42.12.02.1  
NOTE 3  
42.14.01.1 42.14.01.1

PIN NO.	1403 DIAGRAM	1403 SIGNAL NAME	2821 SIGNAL NAME	2821 DIAGRAM	POINTS IN 2821
1	01.01.1	HAMMER FIRE 1	V HAMMER 01 FIRE	33.33.04.1	21C1X05A--21A3H05A
2	01.01.1	HAMMER RETURN 1 & 3	V HAMMER RETURN 1 & 3	38.11.06.0	2821-EC2-4
3	01.01.1	HAMMER FIRE 3	V HAMMER 03 FIRE	33.33.06.1	21C1X05B--21A3H05B
4	01.01.1	HAMMER FIRE 5	V HAMMER 05 FIRE	33.33.06.1	21C1X05C--21A3H05C
5	01.01.1	HAMMER RETURN 5 & 7	V HAMMER RETURN 5 & 7	38.11.06.0	2821-EC1-6
6	01.01.1	HAMMER FIRE 7	V HAMMER 07 FIRE	33.33.08.1	21C1X05D--21A3H05D
7	01.01.1	HAMMER FIRE 9	V HAMMER 09 FIRE	33.33.12.1	21C1X05E--21A3H05E
8	01.01.1	HAMMER RETURN 9 & 11	V HAMMER RETURN 9 & 11	38.11.06.0	2821-EC1-5
9	01.01.1	HAMMER FIRE 11	V HAMMER 11 FIRE	33.33.04.1	21C1X05F--21A3H05F
10	01.01.1	HAMMER FIRE 13	V HAMMER 13 FIRE	33.33.06.1	21C1X05G--21A3H05G
11	01.01.1	HAMMER RETURN 13 & 15	V HAMMER RETURN 13 & 15	38.11.06.0	2821-EC1-3
12	01.01.1	HAMMER FIRE 15	V HAMMER 15 FIRE	33.33.10.1	21C1X05H--21A3H05H
13	01.01.1	HAMMER FIRE 17	V HAMMER 17 FIRE	33.33.08.1	21C1X05J--21A3H05J
14	01.01.1	HAMMER RETURN 17 & 19	V HAMMER RETURN 17 & 19	38.11.06.0	2821-EC1-2
15	01.01.1	HAMMER FIRE 19	V HAMMER 19 FIRE	33.33.12.1	21C1X05K--21A3H05K
16	01.01.1	HAMMER FIRE 21	V HAMMER 21 FIRE	33.33.04.1	21C1X05L--21A3H05L
17	01.01.1	HAMMER RETURN 21 & 23	V HAMMER RETURN 21 & 23	38.11.06.0	2821-EC2-8
18	01.01.1	HAMMER FIRE 23	V HAMMER 23 FIRE	33.33.06.1	21C1X05M--21A3H05M
19	01.01.1	HAMMER FIRE 25	V HAMMER 25 FIRE	33.33.10.1	21C1X05N--21A3H05N
20	01.01.1	HAMMER RETURN 25 & 27	V HAMMER RETURN 25 & 27	38.11.06.0	2821-EC2-7
21	01.01.1	HAMMER FIRE 27	V HAMMER 27 FIRE	33.33.08.1	21C1X05P--21A3H05P
22	01.01.1	HAMMER FIRE 29	V HAMMER 29 FIRE	33.33.12.1	21C1X05Q--21A3H05Q
23	01.01.1	HAMMER RETURN 29 & 31	V HAMMER RETURN 29 & 31	38.11.06.0	2821-EC2-5
24	01.01.1	HAMMER FIRE 31	V HAMMER 31 FIRE	33.33.04.1	21C1X05R--21A3H05R
25	01.01.1	HAMMER FIRE 33	V HAMMER 33 FIRE	33.33.06.1	21C1X04A--21A3H04A
26	01.01.1	HAMMER RETURN 33 & 35	V HAMMER RETURN 33 & 35	38.11.06.0	2821-EC2-4
27	01.01.1	HAMMER FIRE 35	V HAMMER 35 FIRE	33.33.10.1	21C1X04B--21A3H04B
28	01.01.1	HAMMER FIRE 37	V HAMMER 37 FIRE	33.33.08.1	21C1X04C--21A3H04C
29	01.01.1	HAMMER RETURN 37 & 39	V HAMMER RETURN 37 & 39	38.11.06.0	2821-EC2-3
30	01.01.1	HAMMER FIRE 39	V HAMMER 39 FIRE	33.33.12.1	21C1X04D--21A3H04D
31	01.01.1	HAMMER FIRE 41	V HAMMER 41 FIRE	33.33.04.1	21C1X04E--21A3H04E
32	01.01.1	HAMMER RETURN 41 & 43	V HAMMER RETURN 41 & 43	38.11.06.0	2821-EC2-2
33	01.01.1	HAMMER FIRE 43	V HAMMER 43 FIRE	33.33.06.1	21C1X04F--21A3H04F
34	01.01.1	HAMMER FIRE 45	V HAMMER 45 FIRE	33.33.10.1	21C1X04G--21A3H04G
35	01.01.1	HAMMER RETURN 45 & 47	V HAMMER RETURN 45 & 47	38.11.06.0	2821-EC2-1
36	01.01.1	HAMMER FIRE 47	V HAMMER 47 FIRE	33.33.08.1	21C1X04H--21A3H04H
37	01.01.1	HAMMER FIRE 49	V HAMMER 49 FIRE	33.33.12.1	21C1X04J--21A3H04J
38	01.01.1	HAMMER RETURN 49 & 51	V HAMMER RETURN 49 & 51	38.11.06.0	2821-EC1-8
39	01.01.1	HAMMER FIRE 51	V HAMMER 51 FIRE	33.33.04.1	21C1X04K--21A3H04K
40	01.01.1	HAMMER FIRE 53	V HAMMER 53 FIRE	33.33.06.1	21C1X04L--21A3H04L
41	01.01.1	HAMMER RETURN 53 & 55	V HAMMER RETURN 53 & 55	38.11.06.0	2821-EC1-7
42	01.01.1	HAMMER FIRE 55	V HAMMER 55 FIRE	33.33.10.1	21C1X04M--21A3H04M
43	01.01.1	HAMMER FIRE 57	V HAMMER 57 FIRE	33.33.08.1	21C1X04N--21A3H04N
44	01.01.1	HAMMER RETURN 57 & 59	V HAMMER RETURN 57 & 59	38.11.06.0	2821-EC1-5
45	01.01.1	HAMMER FIRE 59	V HAMMER 59 FIRE	33.33.12.1	21C1X04P--21A3H04P
46	01.01.1	HAMMER FIRE 61	V HAMMER 61 FIRE	33.33.04.1	21C1X04Q--21A3H04Q
47	01.01.1	HAMMER RETURN 61 & 63	V HAMMER RETURN 61 & 63	38.11.06.0	2821-EC1-4
48	01.01.1	HAMMER FIRE 63	V HAMMER 63 FIRE	33.33.06.1	21C1X04R--21A3H04R
49	01.01.1	HAMMER FIRE 65	V HAMMER 65 FIRE	33.33.10.1	21C1X03A--21A3H03A
50	01.01.1	HAMMER RETURN 65 & 67	V HAMMER RETURN 65 & 67	38.11.06.0	2821-EC1-2
51	01.01.1	HAMMER FIRE 67	V HAMMER 67 FIRE	33.33.08.1	21C1X03B--21A3H03B
52	01.02.1	HAMMER FIRE 69	V HAMMER 69 FIRE	33.33.13.1	21C1X03C--21A3H03C
53	01.02.1	HAMMER RETURN 69 & 71	V HAMMER RETURN 69 & 71	38.11.06.0	2821-EC1-1
54	01.02.1	HAMMER FIRE 71	V HAMMER 71 FIRE	33.33.04.1	21C1X03D--21A3H03D
55	01.02.1	HAMMER FIRE 73	V HAMMER 73 FIRE	33.33.07.1	21C1X03E--21A3H03E
56	01.02.1	HAMMER RETURN 73 & 75	V HAMMER RETURN 73 & 75	38.11.06.0	2821-EC2-7
57	01.02.1	HAMMER FIRE 75	V HAMMER 75 FIRE	33.33.11.1	21C1X03F--21A3H03F
58	01.02.1	HAMMER FIRE 77	V HAMMER 77 FIRE	33.33.09.1	21C1X03G--21A3H03G
59	01.02.1	HAMMER RETURN 77 & 79	V HAMMER RETURN 77 & 79	38.11.06.0	2821-EC2-6
60	01.02.1	HAMMER FIRE 79	V HAMMER 79 FIRE	33.33.13.1	21C1X03H--21A3H03H
61	01.02.1	HAMMER FIRE 81	V HAMMER 81 FIRE	33.33.04.1	21C1X03J--21A3H03J
62	01.02.1	HAMMER RETURN 81 & 83	V HAMMER RETURN 81 & 83	38.11.06.0	2821-EC2-4
63	01.02.1	HAMMER FIRE 83	V HAMMER 83 FIRE	33.33.07.1	21C1X03K--21A3H03K
64	01.02.1	HAMMER FIRE 85	V HAMMER 85 FIRE	33.33.11.1	21C1X03L--21A3H03L
65	01.02.1	HAMMER RETURN 85 & 87	V HAMMER RETURN 85 & 87	38.11.06.0	2821-EC2-3
66	01.02.1	HAMMER FIRE 87	V HAMMER 87 FIRE	33.33.09.1	21C1X03M--21A3H03M
67	01.02.1	HAMMER FIRE 89	V HAMMER 89 FIRE	33.33.13.1	21C1X03N--21A3H03N
68	01.02.1	HAMMER RETURN 89 & 91	V HAMMER RETURN 89 & 91	38.11.06.0	2821-EC2-2
69	01.02.1	HAMMER FIRE 91	V HAMMER 91 FIRE	33.33.04.1	21C1X03P--21A3H03P
70	01.02.1	HAMMER FIRE 93	V HAMMER 93 FIRE	33.33.07.1	21C1X03Q--21A3H03Q
71	01.02.1	HAMMER RETURN 93 & 95	V HAMMER RETURN 93 & 95	38.11.06.0	2821-EC2-1
72	01.02.1	HAMMER FIRE 95	V HAMMER 95 FIRE	33.33.11.1	21C1X03R--21A3H03R
73	01.02.1	HAMMER FIRE 97	V HAMMER 97 FIRE	33.33.09.1	21C1X02A--21A3H02A
74	01.02.1	HAMMER RETURN 97 & 99	V HAMMER RETURN 97 & 99	38.11.06.0	2821-EC1-8
75	01.02.1	HAMMER FIRE 99	V HAMMER 99 FIRE	33.33.13.1	21C1X02B--21A3H02B
76	01.02.1	HAMMER FIRE 101	V HAMMER 101 FIRE	33.33.04.1	21C1X02C--21A3H02C
77	01.02.1	HAMMER RETURN 101 & 103	V HAMMER RETURN 101 & 103	38.11.06.0	2821-EC1-7
78	01.02.1	HAMMER FIRE 103	V HAMMER 103 FIRE	33.33.07.1	21C1X02D--21A3H02D
79	01.02.1	HAMMER FIRE 105	V HAMMER 105 FIRE	33.33.11.1	21C1X02E--21A3H02E
80	01.02.1	HAMMER RETURN 105 & 107	V HAMMER RETURN 105 & 107	38.11.06.0	2821-EC1-6
81	01.02.1	HAMMER FIRE 107	V HAMMER 107 FIRE	33.33.09.1	21C1X02F--21A3H02F
82	01.02.1	HAMMER FIRE 109	V HAMMER 109 FIRE	33.33.13.1	21C1X02G--21A3H02G
83	01.02.1	HAMMER RETURN 109 & 111	V HAMMER RETURN 109 & 111	38.11.06.0	2821-EC1-4
84	01.02.1	HAMMER FIRE 111	V HAMMER 111 FIRE	33.33.04.1	21C1X02H--21A3H02H
85	01.02.1	HAMMER FIRE 113	V HAMMER 113 FIRE	33.33.07.1	21C1X02J--21A3H02J
86	01.02.1	HAMMER RETURN 113 & 115	V HAMMER RETURN 113 & 115	38.11.06.0	2821-EC1-3
87	01.02.1	HAMMER FIRE 115	V HAMMER 115 FIRE	33.33.11.1	21C1X02K--21A3H02K
88	01.02.1	HAMMER FIRE 117	V HAMMER 117 FIRE	33.33.09.1	21C1X02L--21A3H02L
89	01.02.1	HAMMER RETURN 117 & 119	V HAMMER RETURN 117 & 119	38.11.06.0	2821-EC1-1
90	01.02.1	HAMMER FIRE 119	V HAMMER 119 FIRE	33.33.13.1	21C1X02M--21A3H02M
91	01.02.1	HAMMER FIRE 121	V HAMMER 121 FIRE	33.33.04.1	21C1X02N--21A3H02N
92	01.02.1	HAMMER RETURN 121 & 123	V HAMMER RETURN 121 & 123	38.11.06.0	2821-EC2-8
93	01.02.1	HAMMER FIRE 123	V HAMMER 123 FIRE	33.33.07.1	21C1X02P--21A3H02P
94	01.02.1	HAMMER FIRE 125	V HAMMER 125 FIRE	33.33.11.1	21C1X02Q--21A3H02Q
95	01.02.1	HAMMER RETURN 125 & 127	V HAMMER RETURN 125 & 127	38.11.06.0	2821-EC2-6
96	01.02.1	HAMMER FIRE 127	V HAMMER 127 FIRE	33.33.09.1	21C1X02R--21A3H02R
97	01.02.1	HAMMER FIRE 129	V HAMMER 129 FIRE	33.33.13.1	21C1X01A--21A3H01A
98	01.02.1	HAMMER RETURN 129 & 131	V HAMMER RETURN 129 & 131	38.11.06.0	2821-EC2-5
99	01.02.1	HAMMER FIRE 131	V HAMMER 131 FIRE	33.33.04.1	21C1X01B--21A3H01B

SIGNAL AND POWER CONNECTIONS  
2821 TO 1403

DATE	EC NO	DATE	EC NO	DATE	EC NO
10-26-64	121567	5-21-65	124248		
12-10-64	121572	23MAR66	125634		
2-11-65	121594				
3-18-65	121598				

PIN NO.	1403 DIAGRAM	1403 SIGNAL NAME	2821 SIGNAL NAME	2821 DIAGRAM	POINTS IN 2821
100	01.06.1	-6V RESTORE KEY	-6V DC	38.11.06.0	21C1X08K--PS2-12
101	99.91.1***(+Y)+U PRINT		+Y DC	33.32.16.1	21C1X07E--21A3C02E
102	99.91.1 (-Y)-U PROCESS M		-Y METER RUN	33.32.16.1	21C1X07F--21A3C02F
103		SPARE	SPARE		
104		SPARE	SPARE		
105		SPARE	SPARE		
106		SPARE	SPARE		
107		SPARE	SPARE		
108		SPARE	SPARE		
109	01.05.1	-20V	-20V DC	38.11.06.0	21C1X08M--TB1-15
110		-T CHAIN INLK TERM ONLY	-Y CHAIN INLK	33.33.00.1	21C1X07K--21A3C02K
111	01.05.1	-T CHAIN INLK TERM ONLY	CHAIN INLK	38.11.06.0	21C1X08B--TB7-6U
112	01.05.1	SHIELD GND	FRAME BOND	38.11.06.0	21C1X08P--BB2-6
113	01.05.1	SHIELD GND	FRAME BOND	38.11.06.0	21C1X08Q--BB2-6
114		SPARE	SPARE		
115		SPARE	SPARE		
116	01.07.1	LOW SPEED START IND (NOT USED)	NOT USED		21C1X06H--21A3C01H
117	01.07.1	HIGH SPEED START IND (NOT USED)	NOT USED		21C1X06N--21A3C01N
118	01.06.1 (+Y)	+T FORMS CHECK OR CARR STOP	+Y FORMS CHK. OR CARR STOP	33.32.14.1	21C1X06P--21A3C01P
119	01.07.1	LOW SPEED STOP IND (NOT USED)	NOT USED		21C1X06F--21A3C01F
120	01.07.1	HIGH SPEED STOP IND (NOT USED)	NOT USED		21C1X06G--21A3C01G
121	01.06.1	-T START RELAY CTRL (NOT USED)	NOT USED		
122	01.05.1	-12V	-12V DC	38.11.06.0	21C1X08E--PS5-12
123		SPARE	SPARE		
124		SPARE	SPARE		
125	01.05.1	DC GND	DC GROUND	38.11.06.0	21C1X08M--PS2-11
126		RESERVE R AND S - SPECIAL SYSTEMS			21C1X06K--21A3C01K
127	01.07.1 (-Y)	NO WIRE	NO WIRE		
128	01.07.1 (-Y)	CARRIAGE INTLK	-Y CARRIAGE INLK	33.32.14.1	21C1X06E--21A3C01E
129	(01.08.2)	SPARE	SPARE		21C1X07Q--21A3C02Q
130	01.06.1 (+Y)	(UCS EMITTER GROUND)	+Y UCS EMITTER GROUND	33.32.12.1	21C1X06J--21A3C01J
131	01.06.1 (+Y)	+U READY IND	+Y PRINT READY IND	33.33.01.1	21C1X07L--21A3C02L
132		NO WIRE	NO WIRE		
133	01.07.1	CHAIN CONNECTION INTERLOCK	PRINT CONN INTLK #1	38.11.06.0	21C1X08C--TB4-6L
134	01.09.1	CHAIN MOTOR RELAY (TRAIN MOTOR CONTROL)	CHAIN MOTOR CONTROL	38.11.06.0	21C1X08A--K4-A
135	**01.07.1 (-Y)	END OF FORMS	-Y END OF FORMS	33.32.14.1	21C1X07M--21A3C02M
136		SPARE	SPARE		
137	01.06.1	-T START RELAY (NOT USED)	NOT USED		
138	01.06.1 (+Y)	+U RESTORE KEY	+Y RESTORE KEY	33.32.13.1	21C1X06A--21A3C01A
139	01.06.1 (-Y)	-T RESTORE KEY	-Y RESTORE KEY	33.32.13.1	21C1X06B--21A3C01B
140(01.08.2)	01.05.1	+6V	+6V GENERATED	38.11.06.0	21C1X08D--TB8-3
141(01.08.2)	01.05.1	-6V	-6V DC	38.11.06.0	21C1X08J--PS2-12
142(01.08.2)	01.08.1	SA-1 (SENSE AMP 1)	-Y SENSE AMP 1	33.33.00.1	21C1X07A--21A3C02A
143(01.08.2)	01.08.1	SA-2 (SENSE AMP 2)	-Y SENSE AMP 2	33.33.00.1	21C1X07B--21A3C02B
144	01.08.1	+12V	+12V DC	38.11.06.0	21C1X08G--PS1-10
145	01.06.1 (+Y)	+T CHECK RESET	+Y CHECK RESET PRT	33.32.12.1	21C1X07N--21A3C02N
146	02.01.1 (-Y)	-U EI EMITTER (MAG EMITTER)	-Y MAGNETIC EMITTER	33.32.12.1	21C1X06Q--21A3C01Q
147	02.01.1	E1 EMITTER DC GND (MAG EMITTER DC GND)	+Y MAGNETIC EMITTER GROUND	33.32.12.1	21C1X06R--21A3C01R
148	01.06.1	+6V (+12V)	+12V DC	38.11.06.0	21C1X08H--PS1-10
149	01.06.1	-6V (-12V)	-12V DC	38.11.06.0	21C1X08F--PS5-12
150	01.06.1 (-Y)	-T STOP KEY	-Y PRT STOP KEY	33.33.01.1	21C1X07H--21A3C02H
151	01.06.1 (+Y)	+U PRINT CHECK IND	+Y PRINT CHECK IND	33.33.01.1	21C1X07D--21A3C02D
152	01.06.1	-T SINGLE CYCLE PRINT	-Y SINGLE CYCLE KEY	33.33.02.1	21C1X07R--21A3C02R
153	01.06.1	+U SINGLE CYCLE PRINT	+Y SINGLE CYCLE KEY	33.33.02.1	21C1X07P--21A3C02P
154	01.06.1 (+Y)	+U PR START KEY (PRT START KEY)	+Y PRT START KEY	33.33.01.1	21C1X07G--21A3C02G
155	01.06.1 (-Y)	-U NOT PR START KEY (PRT START KEY)	-Y PRT START KEY	33.33.01.1	21C1X07J--21A3C02J
156	01.06.1	+6V (DC GND)	DC GND	38.11.06.0	21C1X08L--PS2-11
157	01.06.1 (+Y)	+U SPACE KEY	+Y SPACE KEY	33.32.13.1	21C1X06C--21A3C01C
158	01.06.1 (-Y)	-T SPACE KEY	-Y SPACE KEY	33.32.13.1	21C1X06D--21A3C01D
159	01.08.2	U PCS EMIT (UCS EMITTER)	-Y UCS EMITTER	33.32.12.1	21C1X06L--21A3C01L
160	01.06.1 (+Y)	+U END OF FORMS IND	+Y END OF FORMS IND	33.32.14.1	21C1X06M--21A3C01M
	01.06.1 (+Y)	+U SYNC CHECK IND	+Y SYNC CHECK IND	33.33.03.1	21C1X07C--21A3C02C

NOTE \* JUMPED TO PIN 109

ALL SPARE PINS WHICH DO NOT HAVE 2821 POINTS INDICATED HAVE THEIR WIRE TIED OFF AT 2821 END.

\*\* REFERENCED TO LOGIC 02.04.1 FOR STL PRINTER. ALL VOLTAGES ARE AS INDICATED IN "1403 SIGNAL NAME" COLUMN.

\*\*\* SIGNALS AND DIAGRAM NUMBERS UNIQUE TO 1403N1 ARE SHOWN IN PARENTHESES.

*A3 F20  
A12  
C04  
E23*

SIGNAL AND POWER CONNECTIONS  
2821 TO 1403

DATE	EC NO	DATE	EC NO	DATE	EC NO
10-26-64	121567	4-14-65	124236		
12-10-64	121572	5-21-65	124248		
2-11-65	121594	23MAR66	125634		
3-18-65	121598	22MAY67	125673		

PIN NO.	1403 DIAGRAM	1403 SIGNAL NAME	2821 SIGNAL NAME	2821 DIAGRAM	POINTS IN 2821
1	01.03.1	HAMMER FIRE 2	V HAMMER 02 FIRE	33.33.05.1	21C1X14A--21A3G05A
2	01.03.1	HAMMER RETURN 2 & 4	HAMMER RETURN 2 & 4	38.11.06.0	2821-EC4-4
3	01.03.1	HAMMER FIRE 4	V HAMMER 04 FIRE	33.33.06.1	21C1X14B--21A3G05B
4	01.03.1	HAMMER FIRE 6	V HAMMER 06 FIRE	33.33.08.1	21C1X14C--21A3G05C
5	01.03.1	HAMMER RETURN 6 & 8	HAMMER RETURN 6 & 8	38.11.06.0	2821-EC3-6
6	01.03.1	HAMMER FIRE 8	V HAMMER 08 FIRE	33.33.10.1	21C1X14D--21A3G05D
7	01.03.1	HAMMER FIRE 10	V HAMMER 10 FIRE	33.33.12.1	21C1X14E--21A3G05E
8	01.03.1	HAMMER RETURN 10 & 12	HAMMER RETURN 10 & 12	38.11.06.0	2821-EC3-5
9	01.03.1	HAMMER FIRE 12	V HAMMER 12 FIRE	33.33.05.1	21C1X14F--21A3G05F
10	01.03.1	HAMMER FIRE 14	V HAMMER 14 FIRE	33.33.06.1	21C1X14G--21A3G05G
11	01.03.1	HAMMER RETURN 14 & 16	HAMMER RETURN 14 & 16	38.11.06.0	2821-EC3-3
12	01.03.1	HAMMER FIRE 16	V HAMMER 16 FIRE	33.33.08.1	21C1X14H--21A3G05H
13	01.03.1	HAMMER FIRE 18	V HAMMER 18 FIRE	33.33.10.1	21C1X14J--21A3G05J
14	01.03.1	HAMMER RETURN 18 & 20	HAMMER RETURN 18 & 20	38.11.06.0	2821-EC3-2
15	01.03.1	HAMMER FIRE 20	V HAMMER 20 FIRE	33.33.12.1	21C1X14K--21A3G05K
16	01.03.1	HAMMER FIRE 22	V HAMMER 22 FIRE	33.33.05.1	21C1X14L--21A3G05L
17	01.03.1	HAMMER RETURN 22 & 24	HAMMER RETURN 22 & 24	38.11.06.0	2821-EC4-8
18	01.03.1	HAMMER FIRE 24	V HAMMER 24 FIRE	33.33.06.1	21C1X14M--21A3G05M
19	01.03.1	HAMMER FIRE 26	V HAMMER 26 FIRE	33.33.08.1	21C1X14N--21A3G05N
20	01.03.1	HAMMER RETURN 26 & 28	HAMMER RETURN 26 & 28	38.11.06.0	2821-EC4-7
21	01.03.1	HAMMER FIRE 28	V HAMMER 28 FIRE	33.33.10.1	21C1X14P--21A3G05P
22	01.03.1	HAMMER FIRE 30	V HAMMER 30 FIRE	33.33.12.1	21C1X14Q--21A3G05Q
23	01.03.1	HAMMER RETURN 30 & 32	HAMMER RETURN 30 & 32	38.11.06.0	2821-EC4-5
24	01.03.1	HAMMER FIRE 32	V HAMMER 32 FIRE	33.33.05.1	21C1X14R--21A3G05R
25	01.03.1	HAMMER FIRE 34	V HAMMER 34 FIRE	33.33.06.1	21C1X13A--21A3G04A
26	01.03.1	HAMMER RETURN 34 & 36	HAMMER RETURN 34 & 36	38.11.06.0	2821-EC4-4
27	01.03.1	HAMMER FIRE 36	V HAMMER 36 FIRE	33.33.08.1	21C1X13B--21A3G04B
28	01.03.1	HAMMER FIRE 38	V HAMMER 38 FIRE	33.33.10.1	21C1X13C--21A3G04C
29	01.03.1	HAMMER RETURN 38 & 40	HAMMER RETURN 38 & 40	38.11.06.0	2821-EC4-3
30	01.03.1	HAMMER FIRE 40	V HAMMER 40 FIRE	33.33.12.1	21C1X13D--21A3G04D
31	01.03.1	HAMMER FIRE 42	V HAMMER 42 FIRE	33.33.05.1	21C1X13E--21A3G04E
32	01.03.1	HAMMER RETURN 42 & 44	HAMMER RETURN 42 & 44	38.11.06.0	2821-EC4-2
33	01.03.1	HAMMER FIRE 44	V HAMMER 44 FIRE	33.33.06.1	21C1X13F--21A3G04F
34	01.03.1	HAMMER FIRE 46	V HAMMER 46 FIRE	33.33.08.1	21C1X13G--21A3G04G
35	01.03.1	HAMMER RETURN 46 & 48	HAMMER RETURN 46 & 48	38.11.06.0	2821-EC4-1
36	01.03.1	HAMMER FIRE 48	V HAMMER 48 FIRE	33.33.10.1	21C1X13H--21A3G04H
37	01.03.1	HAMMER FIRE 50	V HAMMER 50 FIRE	33.33.12.1	21C1X13J--21A3G04J
38	01.03.1	HAMMER RETURN 50 & 52	HAMMER RETURN 50 & 52	38.11.06.0	2821-EC3-8
39	01.03.1	HAMMER FIRE 52	V HAMMER 52 FIRE	33.33.05.1	21C1X13K--21A3G04K
40	01.03.1	HAMMER FIRE 54	V HAMMER 54 FIRE	33.33.06.1	21C1X13L--21A3G04L
41	01.03.1	HAMMER RETURN 54 & 56	HAMMER RETURN 54 & 56	38.11.06.0	2821-EC3-7
42	01.03.1	HAMMER FIRE 56	V HAMMER 56 FIRE	33.33.08.1	21C1X13M--21A3G04M
43	01.03.1	HAMMER FIRE 58	V HAMMER 58 FIRE	33.33.10.1	21C1X13N--21A3G04N
44	01.03.1	HAMMER RETURN 58 & 60	HAMMER RETURN 58 & 60	38.11.06.0	2821-EC3-5
45	01.03.1	HAMMER FIRE 60	V HAMMER 60 FIRE	33.33.12.1	21C1X13P--21A3G04P
46	01.03.1	HAMMER FIRE 62	V HAMMER 62 FIRE	33.33.05.1	21C1X13Q--21A3G04Q
47	01.03.1	HAMMER RETURN 62 & 64	HAMMER RETURN 62 & 64	38.11.06.0	2821-EC3-4
48	01.03.1	HAMMER FIRE 64	V HAMMER 64 FIRE	33.33.06.1	21C1X13R--21A3G04R
49	01.03.1	HAMMER FIRE 66	V HAMMER 66 FIRE	33.33.08.1	21C1X12A--21A3G03A
50	01.03.1	HAMMER RETURN 66 & 68	HAMMER RETURN 66 & 68	38.11.06.0	2821-EC3-2
51	01.03.1	HAMMER FIRE 68	V HAMMER 68 FIRE	33.33.10.1	21C1X12B--21A3G03B
52	01.04.1	HAMMER FIRE 70	V HAMMER 70 FIRE	33.33.13.1	21C1X12C--21A3G03C
53	01.04.1	HAMMER RETURN 70 & 72	HAMMER RETURN 70 & 72	38.11.06.0	2821-EC3-1
54	01.04.1	HAMMER FIRE 72	V HAMMER 72 FIRE	33.33.05.1	21C1X12D--21A3G03D
55	01.04.1	HAMMER FIRE 74	V HAMMER 74 FIRE	33.33.07.1	21C1X12E--21A3G03E
56	01.04.1	HAMMER RETURN 74 & 76	HAMMER RETURN 74 & 76	38.11.06.0	2821-EC4-7
57	01.04.1	HAMMER FIRE 76	V HAMMER 76 FIRE	33.33.09.1	21C1X12F--21A3G03F
58	01.04.1	HAMMER FIRE 78	V HAMMER 78 FIRE	33.33.11.1	21C1X12G--21A3G03G
59	01.04.1	HAMMER RETURN 78 & 80	HAMMER RETURN 78 & 80	38.11.06.0	2821-EC4-6
60	01.04.1	HAMMER FIRE 80	V HAMMER 80 FIRE	33.33.13.1	21C1X12H--21A3G03H
61	01.04.1	HAMMER FIRE 82	V HAMMER 82 FIRE	33.33.05.1	21C1X12J--21A3G03J
62	01.04.1	HAMMER RETURN 82 & 84	HAMMER RETURN 82 & 84	38.11.06.0	2821-EC4-4
63	01.04.1	HAMMER FIRE 84	V HAMMER 84 FIRE	33.33.07.1	21C1X12K--21A3G03K
64	01.04.1	HAMMER FIRE 86	V HAMMER 86 FIRE	33.33.09.1	21C1X12L--21A3G03L
65	01.04.1	HAMMER RETURN 86 & 88	HAMMER RETURN 86 & 88	38.11.06.0	2821-EC4-3
66	01.04.1	HAMMER FIRE 88	V HAMMER 88 FIRE	33.33.11.1	21C1X12M--21A3G03M
67	01.04.1	HAMMER FIRE 90	V HAMMER 90 FIRE	33.33.13.1	21C1X12N--21A3G03N
68	01.04.1	HAMMER RETURN 90 & 92	HAMMER RETURN 90 & 92	38.11.06.0	2821-EC4-2
69	01.04.1	HAMMER FIRE 92	V HAMMER 92 FIRE	33.33.05.1	21C1X12P--21A3G03P
70	01.04.1	HAMMER FIRE 94	V HAMMER 94 FIRE	33.33.07.1	21C1X12Q--21A3G03Q
71	01.04.1	HAMMER RETURN 94 & 96	HAMMER RETURN 94 & 96	38.11.06.0	2821-EC4-1
72	01.04.1	HAMMER FIRE 96	V HAMMER 96 FIRE	33.33.09.1	21C1X12R--21A3G03R
73	01.04.1	HAMMER FIRE 98	V HAMMER 98 FIRE	33.33.11.1	21C1X11A--21A3G02A
74	01.04.1	HAMMER RETURN 98 & 100	HAMMER RETURN 98 & 100	38.11.06.0	2821-EC3-8
75	01.04.1	HAMMER FIRE 100	V HAMMER 100 FIRE	33.33.13.1	21C1X11B--21A3G02B
76	01.04.1	HAMMER FIRE 102	V HAMMER 102 FIRE	33.33.05.1	21C1X11C--21A3G02C
77	01.04.1	HAMMER RETURN 102 & 104	HAMMER RETURN 102 & 104	38.11.06.0	2821-EC3-7
78	01.04.1	HAMMER FIRE 104	V HAMMER 104 FIRE	33.33.07.1	21C1X11D--21A3G02D
79	01.04.1	HAMMER FIRE 106	V HAMMER 106 FIRE	33.33.09.1	21C1X11E--21A3G02E
80	01.04.1	HAMMER RETURN 106 & 108	HAMMER RETURN 106 & 108	38.11.06.0	2821-EC3-6
81	01.04.1	HAMMER FIRE 108	V HAMMER 108 FIRE	33.33.11.1	21C1X11F--21A3G02F
82	01.04.1	HAMMER FIRE 110	V HAMMER 110 FIRE	33.33.13.1	21C1X11G--21A3G02G
83	01.04.1	HAMMER RETURN 110 & 112	HAMMER RETURN 110 & 112	38.11.06.0	2821-EC3-4
84	01.04.1	HAMMER FIRE 112	V HAMMER 112 FIRE	33.33.05.1	21C1X11H--21A3G02H
85	01.04.1	HAMMER FIRE 114	V HAMMER 114 FIRE	33.33.07.1	21C1X11J--21A3G02J
86	01.04.1	HAMMER RETURN 114 & 116	HAMMER RETURN 114 & 116	38.11.06.0	2821-EC3-3
87	01.04.1	HAMMER FIRE 116	V HAMMER 116 FIRE	33.33.09.1	21C1X11K--21A3G02K
88	01.04.1	HAMMER FIRE 118	V HAMMER 118 FIRE	33.33.11.1	21C1X11L--21A3G02L
89	01.04.1	HAMMER RETURN 118 & 120	HAMMER RETURN 118 & 120	38.11.06.0	2821-EC3-1
90	01.04.1	HAMMER FIRE 120	V HAMMER 120 FIRE	33.33.13.1	21C1X11M--21A3G02M
91	01.04.1	HAMMER FIRE 122	V HAMMER 122 FIRE	33.33.05.1	21C1X11N--21A3G02N
92	01.04.1	HAMMER RETURN 122 & 124	HAMMER RETURN 122 & 124	38.11.06.0	2821-EC4-8
93	01.04.1	HAMMER FIRE 124	V HAMMER 124 FIRE	33.33.07.1	21C1X11P--21A3G02P
94	01.04.1	HAMMER FIRE 126	V HAMMER 126 FIRE	33.33.09.1	21C1X11Q--21A3G02Q
95	01.04.1	HAMMER RETURN 126 & 128	HAMMER RETURN 126 & 128	38.11.06.0	2821-EC4-6
96	01.04.1	HAMMER FIRE 128	V HAMMER 128 FIRE	33.33.11.1	21C1X11R--21A3G02R
97	01.04.1	HAMMER FIRE 130	V HAMMER 130 FIRE	33.33.13.1	21C1X10A--21A3G01A
98	01.04.1	HAMMER RETURN 130 & 132	HAMMER RETURN 130 & 132	38.11.06.0	2821-EC4-5
99	01.04.1	HAMMER FIRE 132	V HAMMER 132 FIRE	33.33.05.1	21C1X10B--21A3G01B

SIGNAL AND POWER CONNECTIONS  
2821 TO 1403

DATE	EC NO	DATE	EC NO	DATE	EC NO
10-26-64	121567	5-21-65	124248		
12-10-64	121572				
2-11-65	121594				
3-18-65	121598				

837988

1403 SUMMARY CONNECTOR #2 21A3 PR

22.04.11.0

REFERENCE DRAWING

PIN NO.	1403 DIAGRAM	1403 SIGNAL NAME	2821 SIGNAL NAME	2821 DIAGRAM	POINTS IN 2821
100	02.04.1	LISTER OP	-Y STL MODE SW	43.32.00.1	21C1X10L--21A3G01L
101	02.04.1	STL-1	+V TAPE 1 DR	43.32.00.1	21C1X10C--21A3G01C
102	02.04.1	STL-2	+V TAPE 2 DR	43.32.00.1	21C1X10D--21A3G01D
103	02.04.1	STL-3	+V TAPE 3 DR	43.32.00.1	21C1X10E--21A3G01E
104	02.04.1	STL-4	+V TAPE 4 DR	43.32.00.1	21C1X10F--21A3G01F
105	02.04.1	STL-5	+V TAPE 5 DR	43.32.00.1	21C1X10G--21A3G01G
106	02.04.1	STL-6	+V TAPE 6 DR	43.32.00.1	21C1X10H--21A3G01H
107	02.04.1	STL-7	+V TAPE 7 DR	43.32.00.1	21C1X10J--21A3G01J
108	02.04.1	STL-8	+V TAPE 8 DR	43.32.00.1	21C1X10K--21A3G01K
109		SPARE	SPARE		
110		SPARE	SPARE		
111	01.05.1	SHIELD GND	FRAME BOND	38.11.06.0	21C1X09F--BB2-5
112	01.05.1	SHIELD GND	FRAME BOND	38.11.06.0	21C1X09F--BB2-5
113		SPARE	SPARE		
114		SPARE	SPARE		
115		SPARE	SPARE		
116		SPARE	SPARE		
117		SPARE	SPARE		
118		SPARE	SPARE		
119		SPARE	SPARE		
120		SPARE	SPARE		
121		SPARE	SPARE		
122		SPARE	SPARE		
123		SPARE	SPARE		
124		SPARE	SPARE		
125	01.09.1	PRINT CONNECTION INTERLOCK	PRINT CONN INLK #2	38.11.06.0	21C1X09C--TB4-1U
126	01.07.1	-60V CONTROLLED	-60V CTRL	33.32.17.1	21C1X10M--21A3G01M
127	**01.08.1	PAPER MAG DRIVE	+Y PAPER DAMPER MAG DRIVE	33.32.17.1	21C1X15Q--21A3F01Q
128		NO/WIRE	NO/WIRE		
129		NO/WIRE	NO/WIRE		
130	02.02.1	SLOW BRUSH #1	-Y SLOW BR 1	33.32.00.1	21C1X15A--21A3F01A
131	02.02.1	SLOW BRUSH #2	-Y SLOW BR 2	33.32.00.1	21C1X15B--21A3F01B
132	02.02.1	SLOW BRUSH #3	-Y SLOW BR 3	33.32.00.1	21C1X15C--21A3F01C
133	02.02.1	SLOW BRUSH #4	-Y SLOW BR 4	33.32.00.1	21C1X15D--21A3F01D
134	02.02.1	SLOW BRUSH #5	-Y SLOW BR 5	33.32.00.1	21C1X15E--21A3F01E
135	02.02.1	SLOW BRUSH #6	-Y SLOW BR 6	33.32.00.1	21C1X15F--21A3F01F
136	02.02.1	SLOW BRUSH #7	-Y SLOW BR 7	33.32.00.1	21C1X15G--21A3F01G
137	02.02.1	SLOW BRUSH #8	-Y SLOW BR 8	33.32.00.1	21C1X15H--21A3F01H
138	02.02.1	SLOW BRUSH #9	-Y SLOW BR 9	33.32.00.1	21C1X15J--21A3F01J
139	02.02.1	SLOW BRUSH #10	-Y SLOW BR 10	33.32.00.1	21C1X15K--21A3F01K
140	02.02.1	SLOW BRUSH #11	-Y SLOW BR 11	33.32.00.1	21C1X15L--21A3F01L
141	02.02.1	SLOW BRUSH #12	-Y SLOW BR 12	33.32.00.1	21C1X15M--21A3F01M
142	02.03.1	STOP BRUSH #1	-Y STOP BR 1	33.32.03.1	21C1X16A--21A3F02A
143	02.03.1	STOP BRUSH #2	-Y STOP BR 2	33.32.03.1	21C1X16B--21A3F02B
144	02.03.1	STOP BRUSH #3	-Y STOP BR 3	33.32.03.1	21C1X16C--21A3F02C
145	02.03.1	STOP BRUSH #4	-Y STOP BR 4	33.32.03.1	21C1X16D--21A3F02D
146	02.03.1	STOP BRUSH #5	-Y STOP BR 5	33.32.03.1	21C1X16E--21A3F02E
147	02.03.1	STOP BRUSH #6	-Y STOP BR 6	33.32.03.1	21C1X16F--21A3F02F
148	02.03.1	STOP BRUSH #7	-Y STOP BR 7	33.32.03.1	21C1X16G--21A3F02G
149	02.03.1	STOP BRUSH #8	-Y STOP BR 8	33.32.03.1	21C1X16H--21A3F02H
150	02.03.1	STOP BRUSH #9	-Y STOP BR 9	33.32.03.1	21C1X16J--21A3F02J
151	02.03.1	STOP BRUSH #10	-Y STOP BR 10	33.32.03.1	21C1X16K--21A3F02K
152	02.03.1	STOP BRUSH #11	-Y STOP BR 11	33.32.03.1	21C1X16L--21A3F02L
153	02.03.1	STOP BRUSH #12	-Y STOP BR 12	33.32.03.1	21C1X16M--21A3F02M
154		SPARE	SPARE		
155	02.01.1	LOW SPEED START	+Y LOW SPEED START	33.32.17.1	21C1X16P--21A3F02P
156	02.01.1	LOW SPEED STOP	+Y LOW SPEED STOP	33.32.17.1	21C1X16Q--21A3F02Q
157	02.01.1	HIGH SPEED START	+Y HIGH SPEED START	33.32.17.1	21C1X16R--21A3F02R
158	02.01.1	HIGH SPEED STOP	+Y HIGH SPEED STOP	33.32.17.1	21C1X9A--TB7-4U
159	01.08.2	*PCS MODE (+Y DUAL MODE SWITCH)	+Y DUAL MODE SWITCH	33.32.12.1	21C1X15N--21A3F01N
160	01.06.1	(+Y) +U FORMS CHECK IND	+Y FORMS CHECK IND	33.32.14.1	21C1X15P--21A3F01P

NOTE:  
ALL SPARE PINS WHICH DO NOT HAVE 2821 POINTS INDICATED, HAVE THEIR WIRES TIED OFF AT 2821 END.

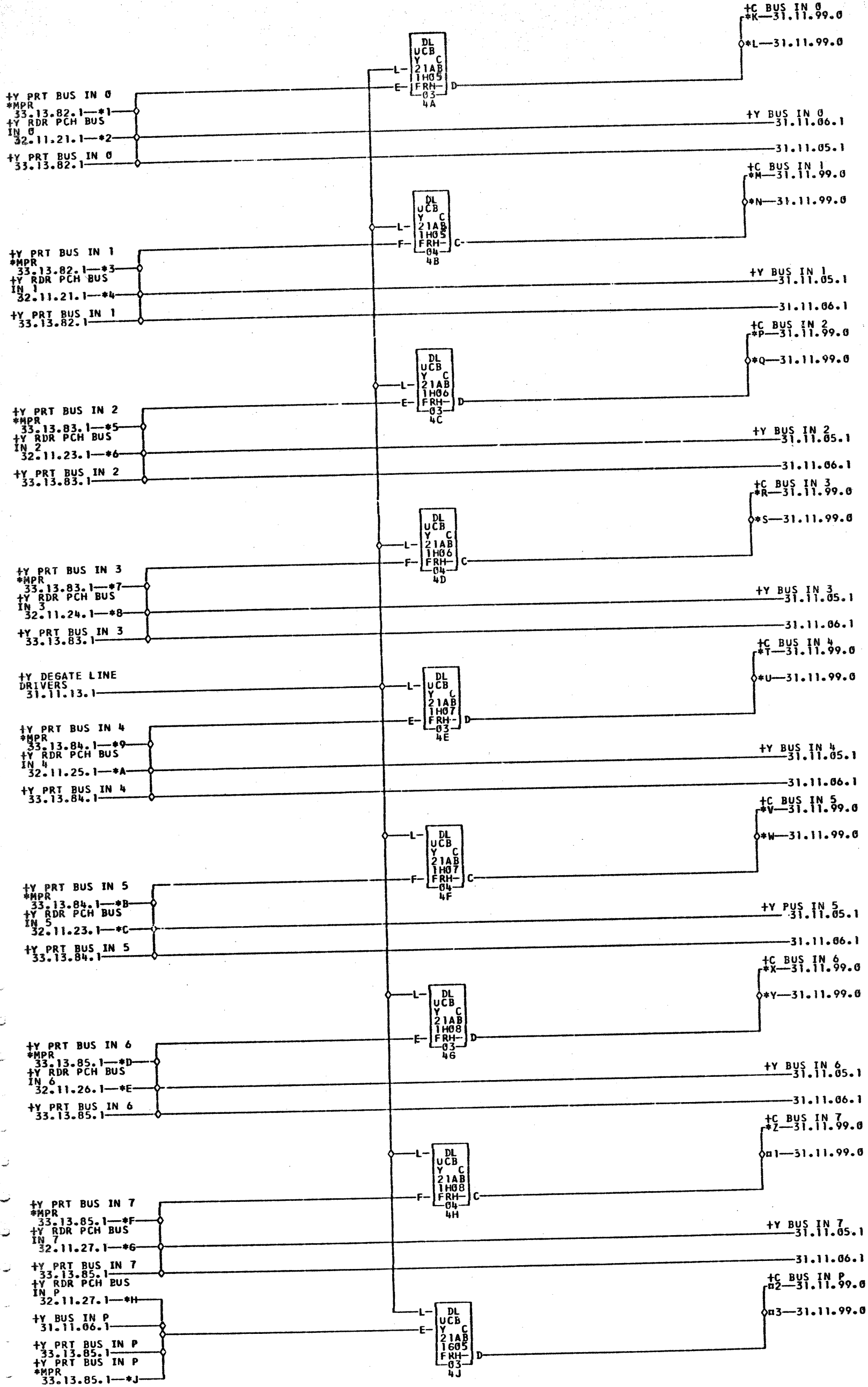
\* SIGNALS UNIQUE TO 1403N1 ARE SHOWN IN PARENTHESES.

\*\* FOR 1403-3 PRINTER ONLY

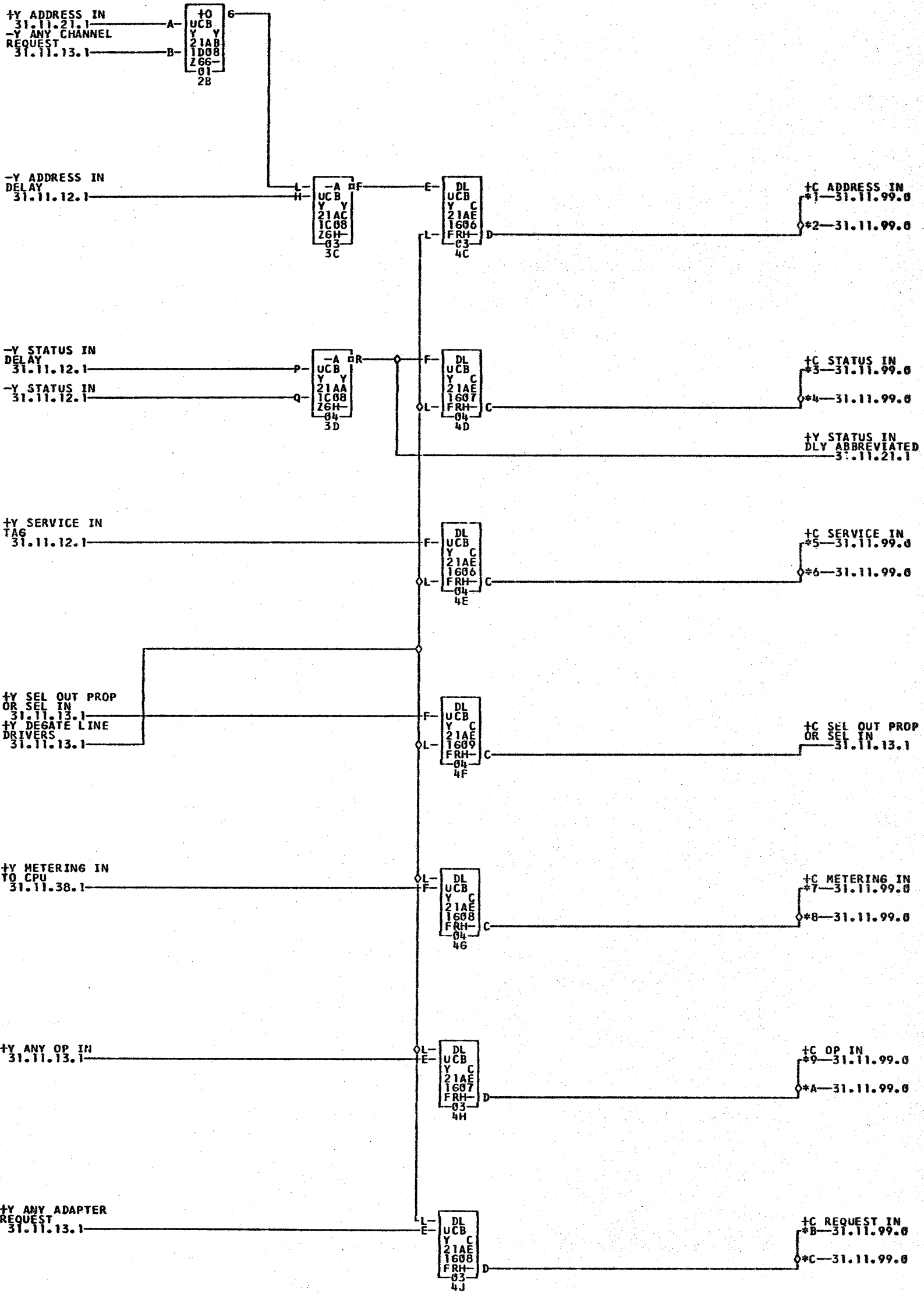
\*\*\* PIN NUMBER 156 AND 158 HAVE TWO CONNECTIONS EACH IN SUMMARY CONNECTOR #2

SIGNAL AND POWER CONNECTIONS  
2821 TO 1403

DATE	EC NO	DATE	EC NO	DATE	EC NO
10-26-64	121567	4-14-65	124236		
12-10-64	121572	5-21-65	124248		
2-11-65	121594	13 JUL 66	125648		
3-18-65	121598	20 APR 67	125672		



- \*1-21A1E05A
- \*2-21A1F03A
- \*3-21A1E05B
- \*4-21A1F03B
- \*5-21A1E05C
- \*6-21A1F03C
- \*7-21A1E05D
- \*8-21A1F03D
- \*9-21A1E05E
- \*A-21A1F03E
- \*B-21A1E05F
- \*C-21A1F03F
- \*D-21A1E05G
- \*E-21A1F03G
- \*F-21A1E05H
- \*G-21A1F03H
- \*H-21A1E05I
- \*I-21A1F03I
- \*J-21A1E05K
- \*L-21A1H02E
- \*M-21A1E05L
- \*N-21A1F03L
- \*O-21A1E05M
- \*P-21A1F03M
- \*Q-21A1H02G
- \*R-21A1E05N
- \*S-21A1F03N
- \*T-21A1H02H
- \*U-21A1E05O
- \*V-21A1F03O
- \*X-21A1H02I
- \*Y-21A1E05P
- \*Z-21A1F03P
- \*a1-21A1H02J
- \*a2-21A1E05Q
- \*a3-21A1F03Q
- \*a4-21A1H02K
- \*a5-21A1E05R
- \*a6-21A1F03R
- \*a7-21A1H02L
- \*a8-21A1E05S
- \*a9-21A1F03S
- \*a10-21A1H02M
- \*a11-21A1E05T
- \*a12-21A1F03T
- \*a13-21A1H02N
- \*a14-21A1E05U
- \*a15-21A1F03U
- \*a16-21A1H02O
- \*a17-21A1E05V
- \*a18-21A1F03V
- \*a19-21A1H02P
- \*a20-21A1E05W
- \*a21-21A1F03W
- \*a22-21A1H02Q
- \*a23-21A1E05X
- \*a24-21A1F03X
- \*a25-21A1H02R
- \*a26-21A1E05Y
- \*a27-21A1F03Y
- \*a28-21A1H02S
- \*a29-21A1E05Z
- \*a30-21A1F03Z
- \*a31-21A1H02T
- \*a32-21A1E05a1
- \*a33-21A1F03a1
- \*a34-21A1H02U
- \*a35-21A1E05a2
- \*a36-21A1F03a2
- \*a37-21A1H02V
- \*a38-21A1E05a3
- \*a39-21A1F03a3
- \*a40-21A1H02W
- \*a41-21A1E05a4
- \*a42-21A1F03a4
- \*a43-21A1H02X
- \*a44-21A1E05a5
- \*a45-21A1F03a5
- \*a46-21A1H02Y
- \*a47-21A1E05a6
- \*a48-21A1F03a6
- \*a49-21A1H02Z
- \*a50-21A1E05a7
- \*a51-21A1F03a7
- \*a52-21A1H02a1
- \*a53-21A1E05a8
- \*a54-21A1F03a8
- \*a55-21A1H02a2
- \*a56-21A1E05a9
- \*a57-21A1F03a9
- \*a58-21A1H02a3
- \*a59-21A1E05a10
- \*a60-21A1F03a10
- \*a61-21A1H02a4
- \*a62-21A1E05a11
- \*a63-21A1F03a11
- \*a64-21A1H02a5
- \*a65-21A1E05a12
- \*a66-21A1F03a12
- \*a67-21A1H02a6
- \*a68-21A1E05a13
- \*a69-21A1F03a13
- \*a70-21A1H02a7
- \*a71-21A1E05a14
- \*a72-21A1F03a14
- \*a73-21A1H02a8
- \*a74-21A1E05a15
- \*a75-21A1F03a15
- \*a76-21A1H02a9
- \*a77-21A1E05a16
- \*a78-21A1F03a16
- \*a79-21A1H02a10
- \*a80-21A1E05a17
- \*a81-21A1F03a17
- \*a82-21A1H02a11
- \*a83-21A1E05a18
- \*a84-21A1F03a18
- \*a85-21A1H02a12
- \*a86-21A1E05a19
- \*a87-21A1F03a19
- \*a88-21A1H02a13
- \*a89-21A1E05a20
- \*a90-21A1F03a20
- \*a91-21A1H02a14
- \*a92-21A1E05a21
- \*a93-21A1F03a21
- \*a94-21A1H02a15
- \*a95-21A1E05a22
- \*a96-21A1F03a22
- \*a97-21A1H02a16
- \*a98-21A1E05a23
- \*a99-21A1F03a23
- \*a100-21A1H02a17



\*1-21A1601F  
\*7-21A1H01F

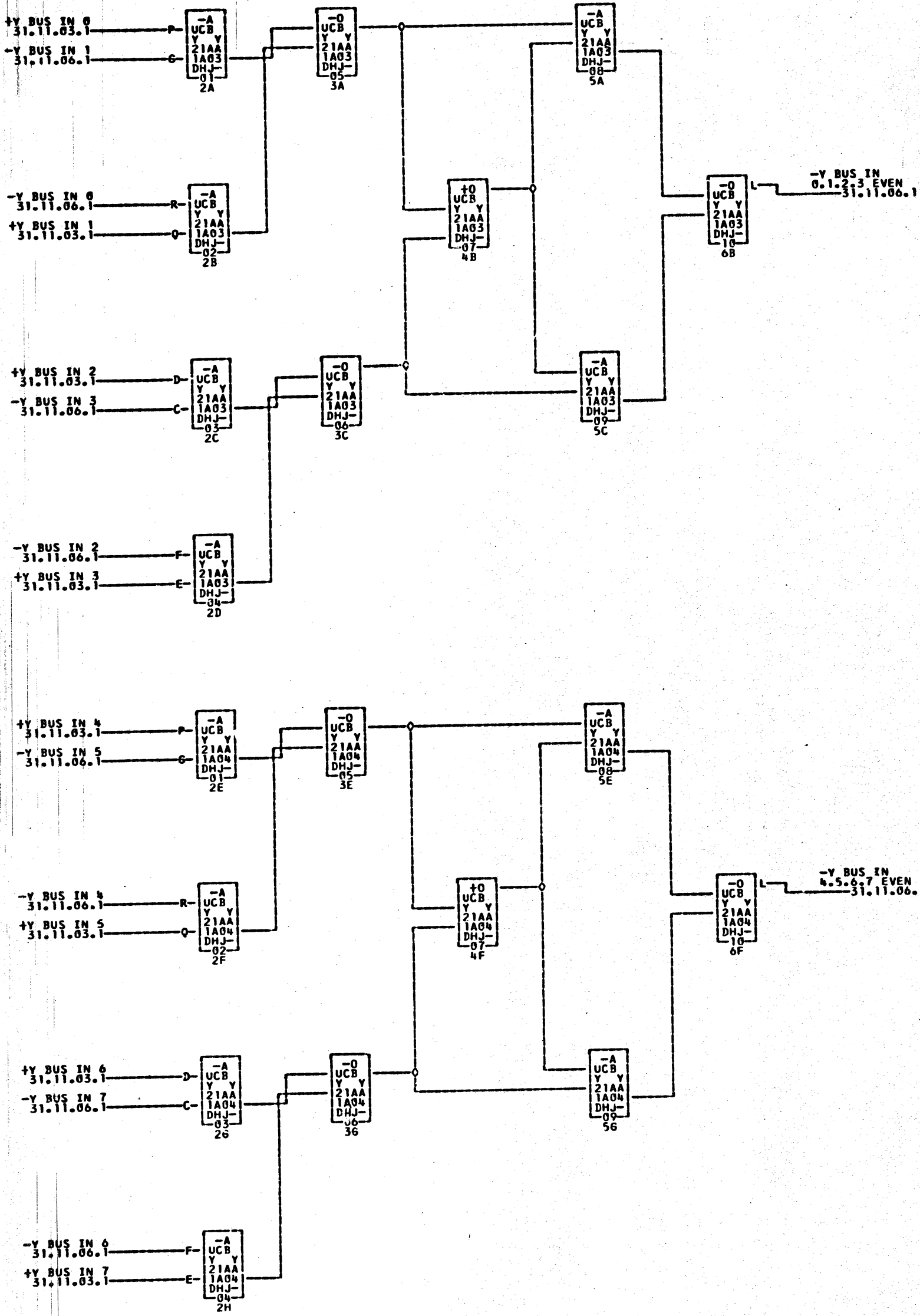
\*2-21A1603F  
\*8-21A1H03F

\*3-21A1601E  
\*9-21A1601D

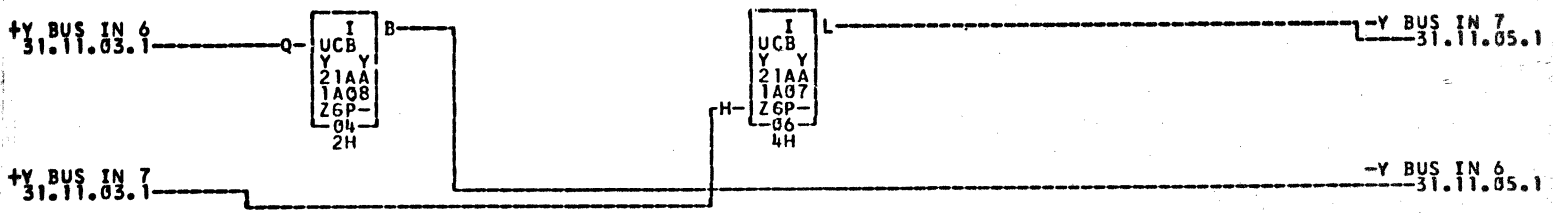
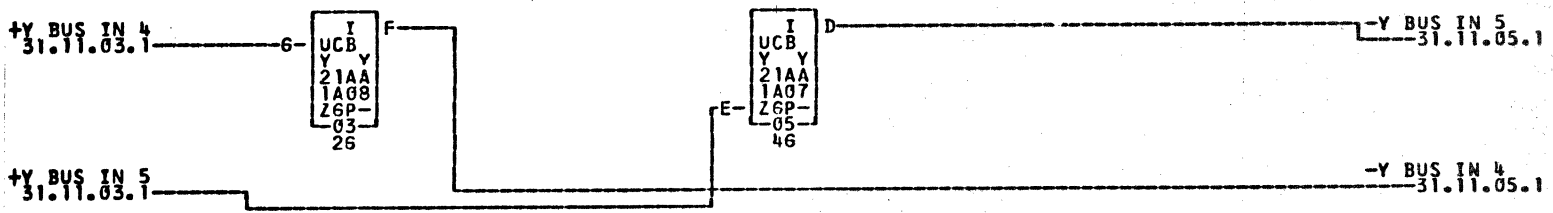
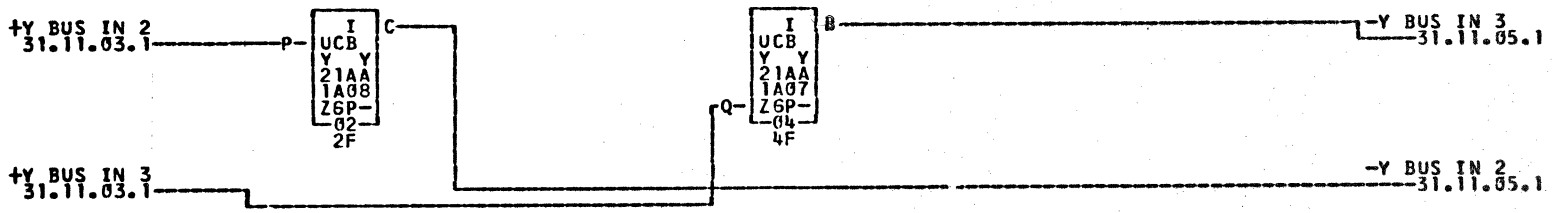
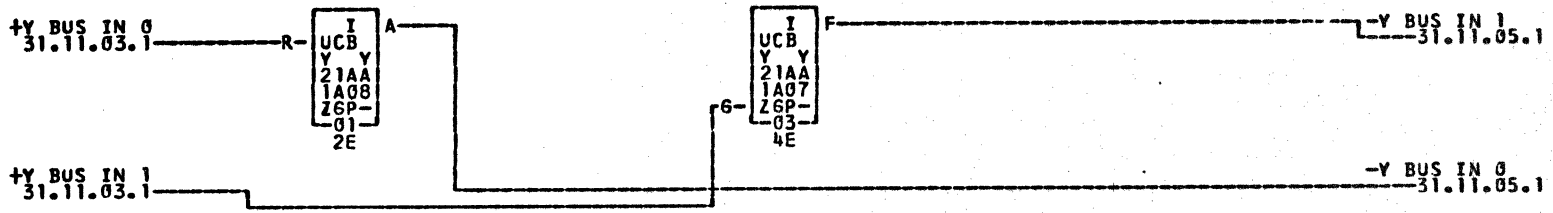
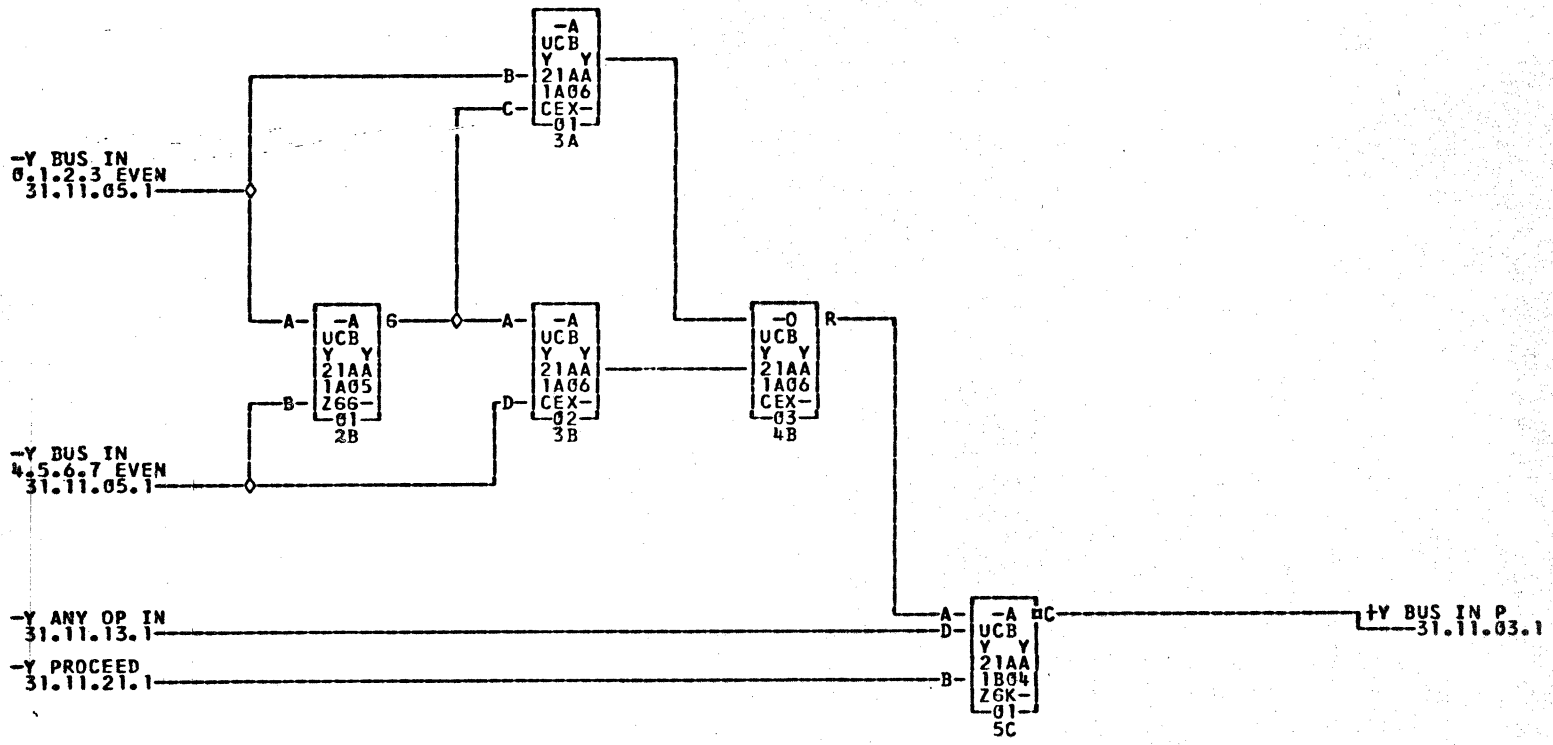
\*4-21A1603E  
\*A-21A1603D

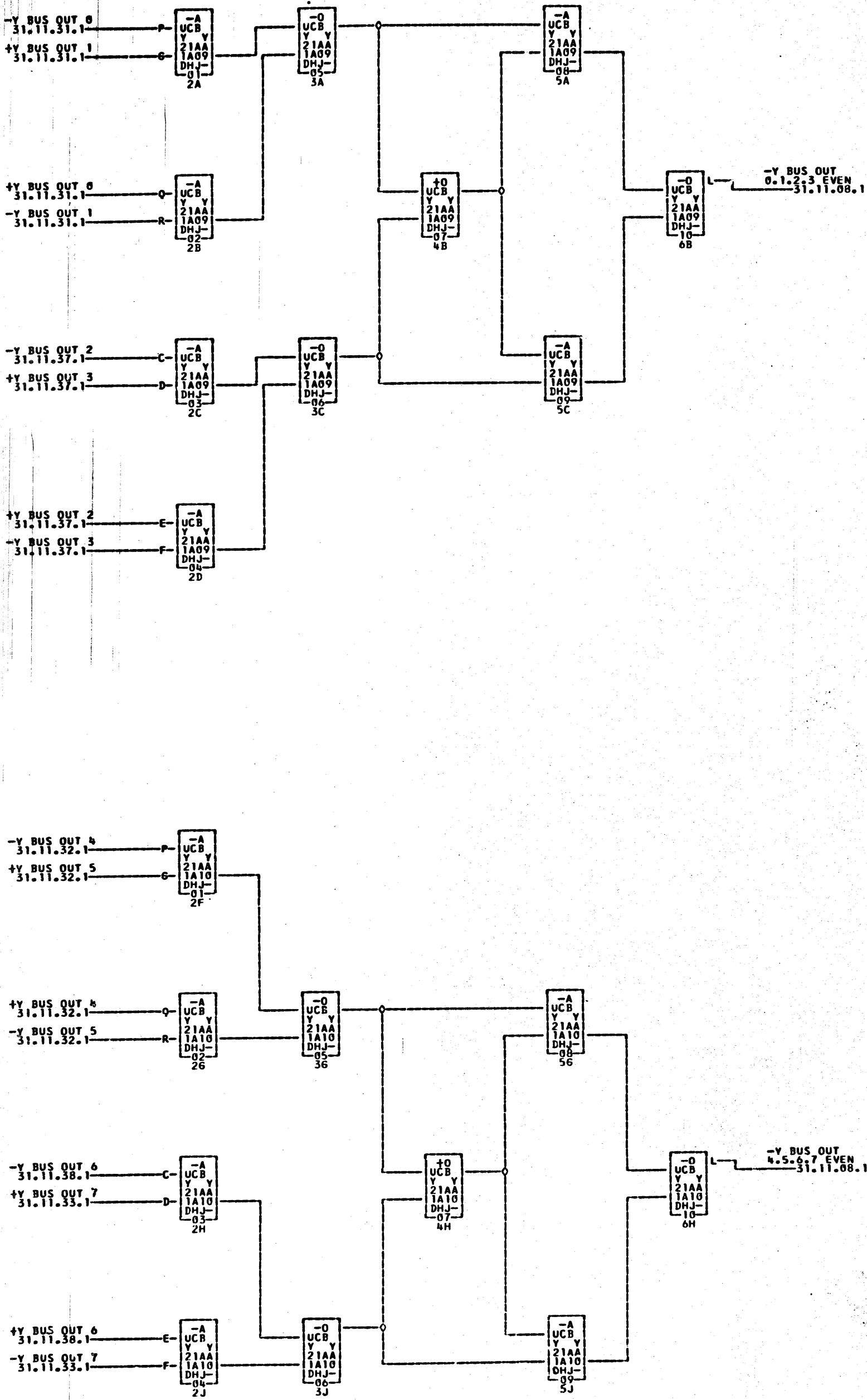
\*5-21A16016  
\*B-21A1H016

\*6-21A16036  
\*C-21A1H036

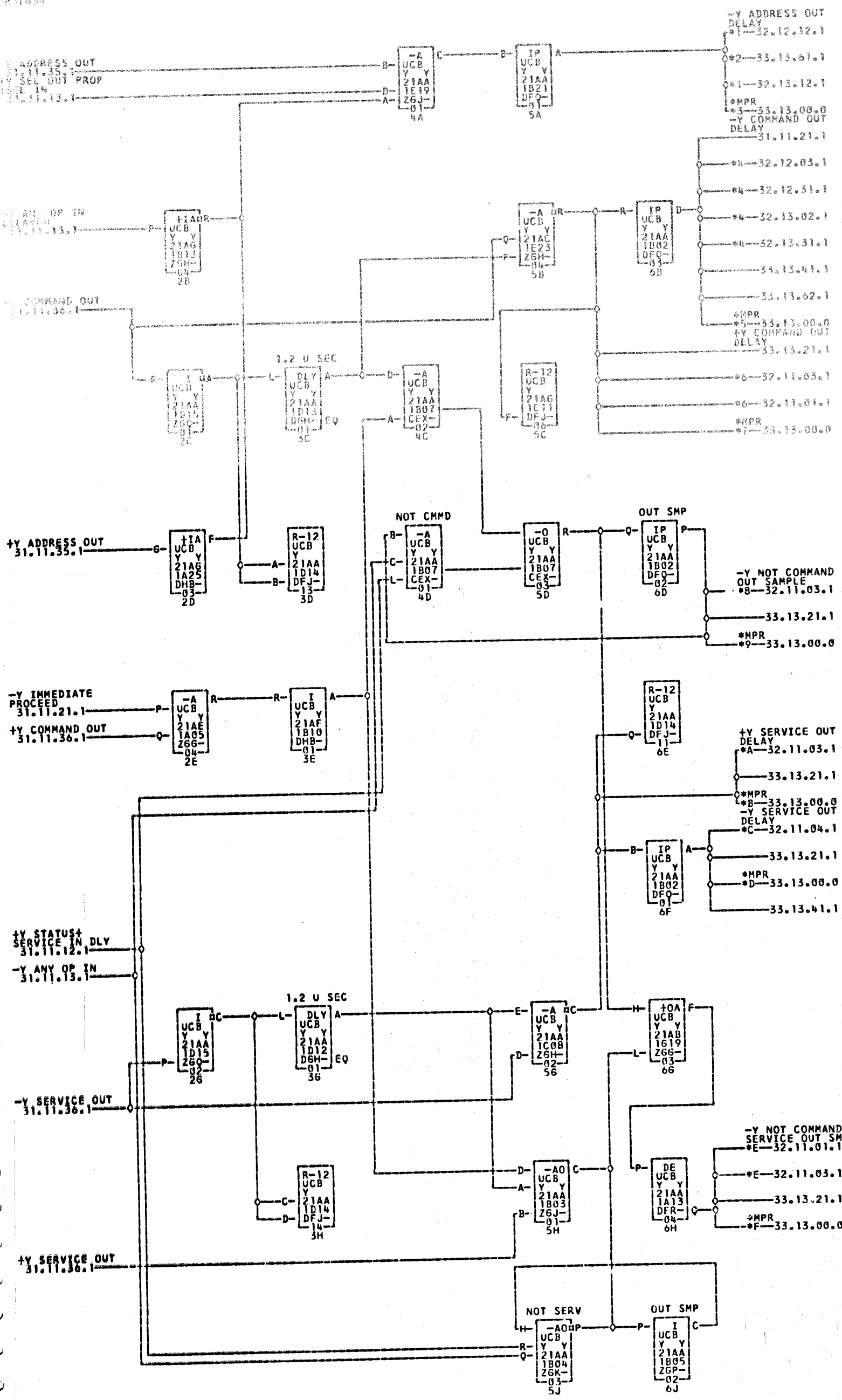










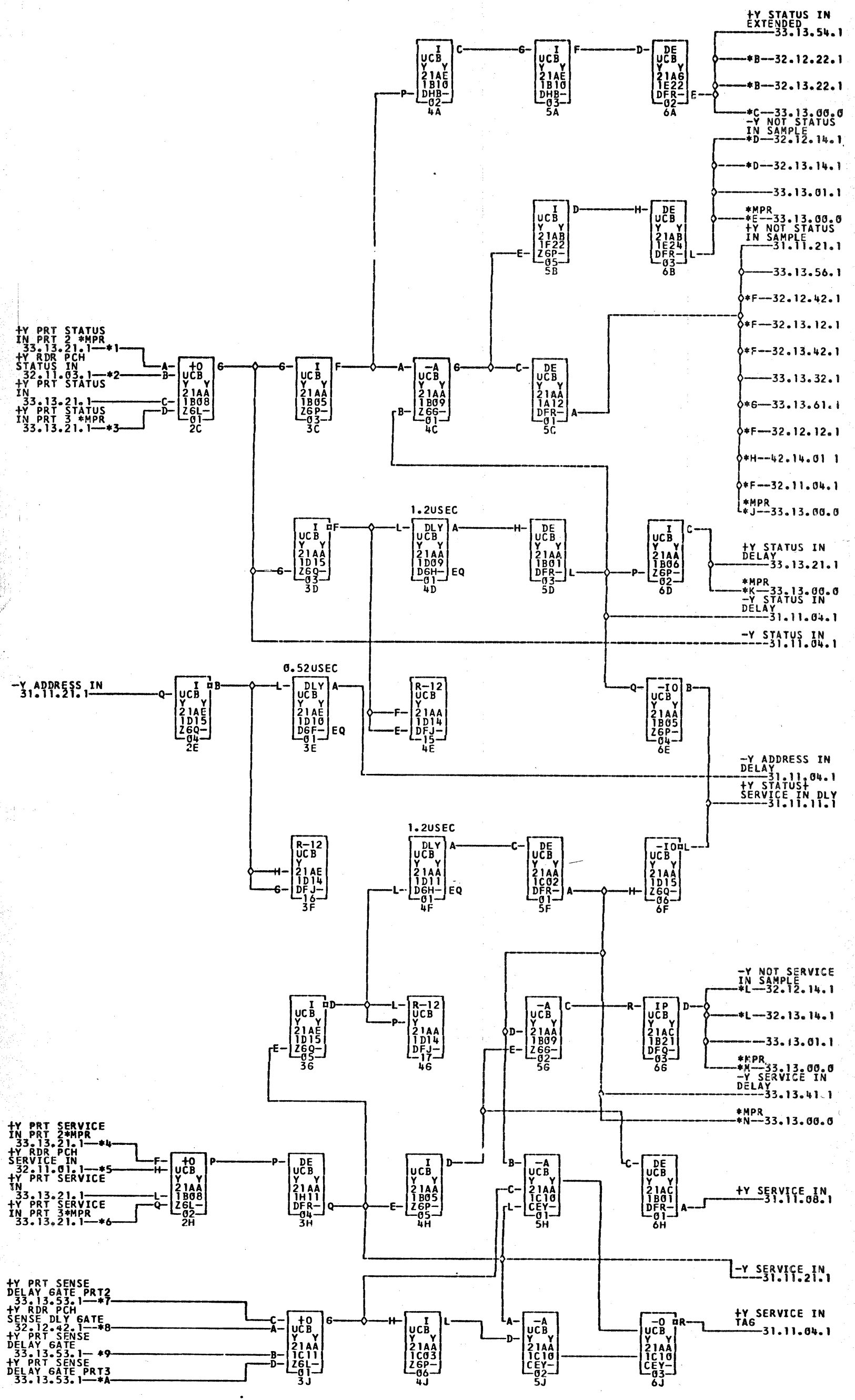


- \*1-21A1F05K
- \*2-21B1F03K
- \*3-21A1E03H
- \*4-21A1F06H
- \*5-21A1E03E
- \*6-21A1F06G
- \*7-21A1E03F
- \*8-21A1F06F
- \*9-21A1E02D
- \*A-21A1F06H
- \*B-21A1E03G
- \*C-21A1F06N
- \*D-21A1E03D
- \*E-21A1F06K
- \*F-21A1E02E

TAG	DATE	E.C.NO.	TAG	DATE	E.C.NO.	TAG	DATE	E.C.NO.	TAG	DATE	E.C.NO.
A	02-17-65	121570M	B	04-26-65	124237	C	05-24-65	124248	D	06-09-65	124249
E	09-09-65	124272	F	11-18-65	125601	G	01-20-66	125617			

MDM. 5000

COMMENTS

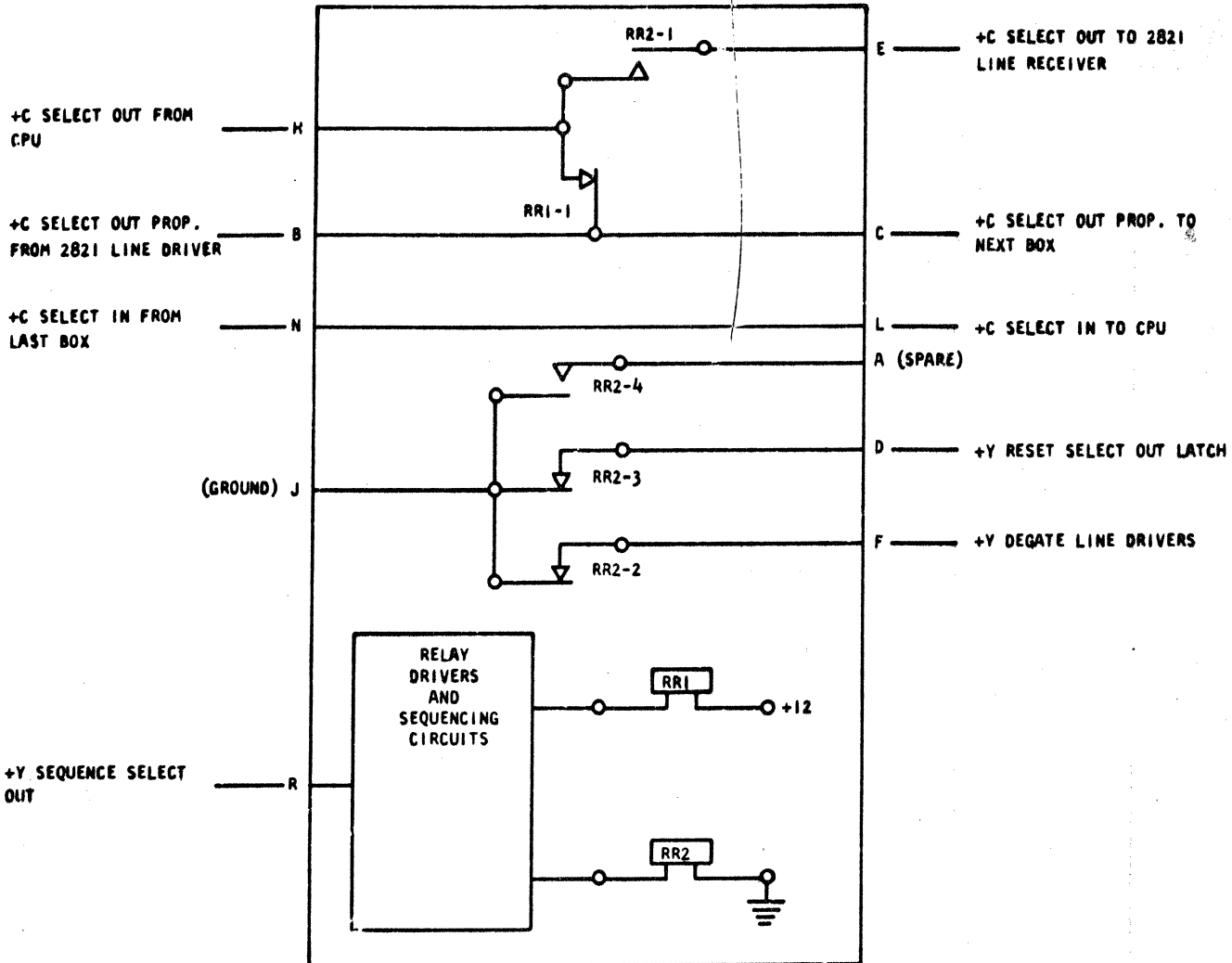


- \*1-21A1E05L
- \*2-21A1F02B
- \*3-21A1E05M
- \*4-21A1E05N
- \*5-21A1F02C
- \*6-21A1E05P
- \*7-21A1E05Q
- \*8-21A1F02D
- \*9-21A1E05R
- \*A-21A1E05R
- \*B-21A1F03N
- \*C-21A1E02Q
- \*D-21A1F05Q
- \*E-21A1E03K
- \*F-21A1F05R
- \*G-21B1B32L
- \*H-21A1F05R
- \*I-21B1F03R
- \*J-21A1E03L
- \*K-21A1E02R
- \*L-21A1F04C
- \*M-21B1F04C
- \*N-21A1E03M

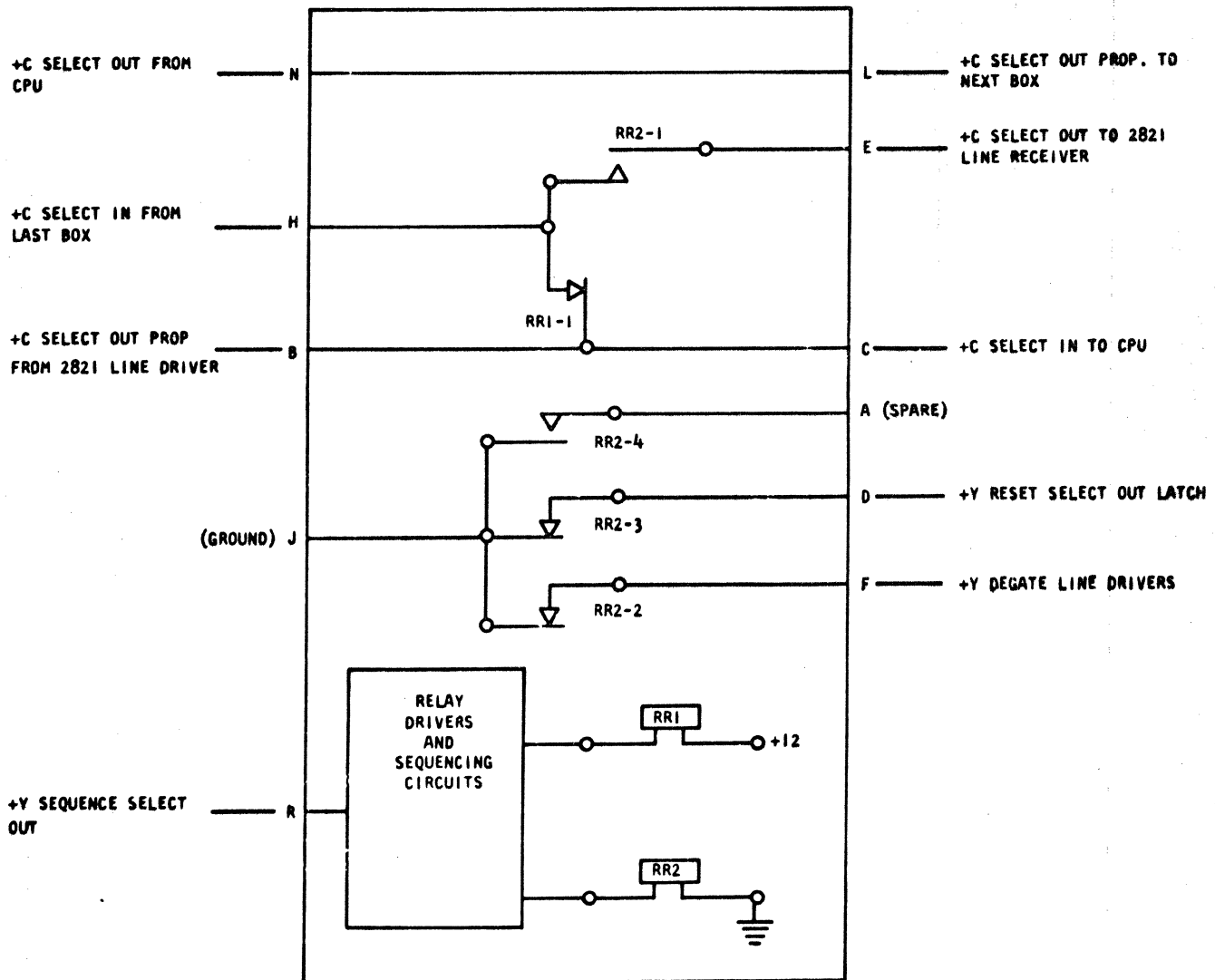
TAG	DATE	E.C.NO.	TAG	DATE	E.C.NO.	TAG	DATE	E.C.NO.	TAG	DATE	E.C.NO.
A	02-17-65	121570M	B	05-24-65	124248	C	06-09-65	124249	D	10-11-65	125598
E	11-18-65	125601	F	01-20-66	125617	G	04-21-67	125672			

SELECT OUT BY PASS  
REVERSAL OF SELECT OUT AND SELECT IN

21A1F08  
HIGH PRIORITY

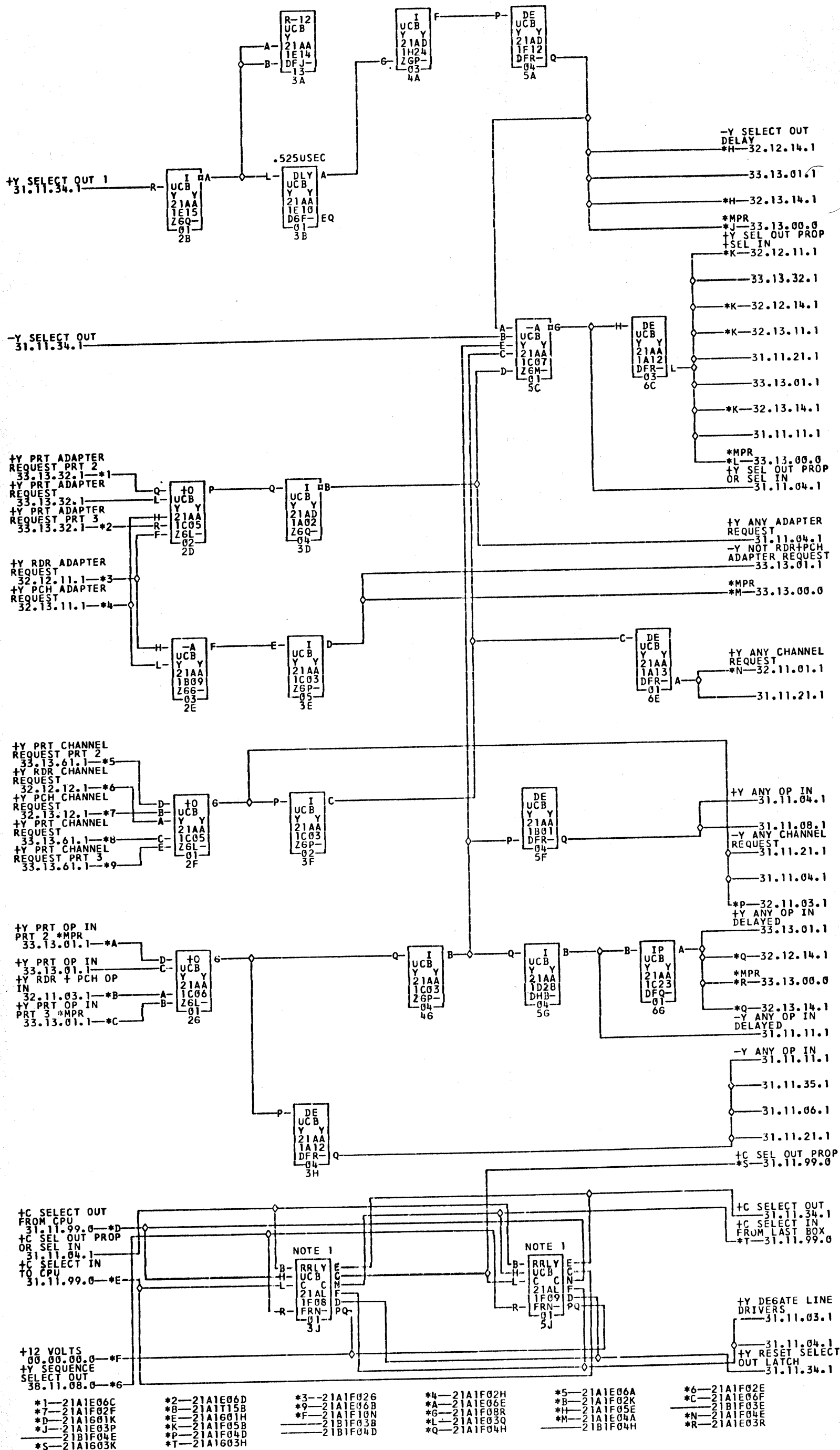


21A1F09  
LOW PRIORITY



NOTES:

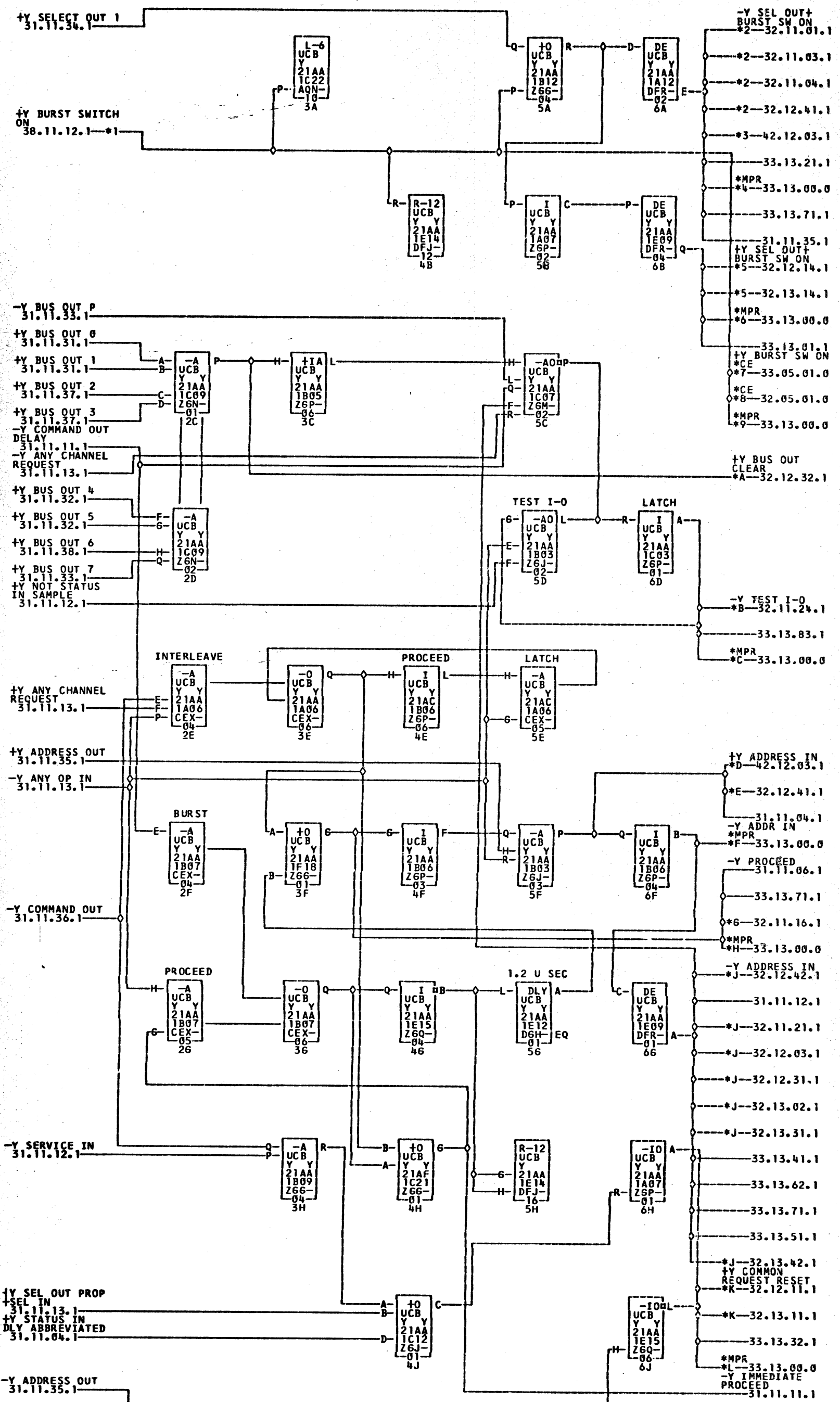
1. SMS CARD FRM- (375193) TO BE PLUGGED INTO EITHER LOCATION F08 OR F09. ONE OF THESE LOCATIONS SHOULD BE EMPTY.
2. BOTH RELAYS ARE TRANSFERRED WITH POWER ON.
3. WHEN POWER COMES ON, RELAY 2 WILL PICK APPROXIMATELY 1 MILLISECOND BEFORE RELAY 1. WHEN POWER DROPS, RELAY 1 WILL DROP OUT 2 MILLISECONDS OR MORE BEFORE RELAY 2.



NOTE 1 FOR REED RELAY SEE 31.11.13.0  
MDM.5000-5001

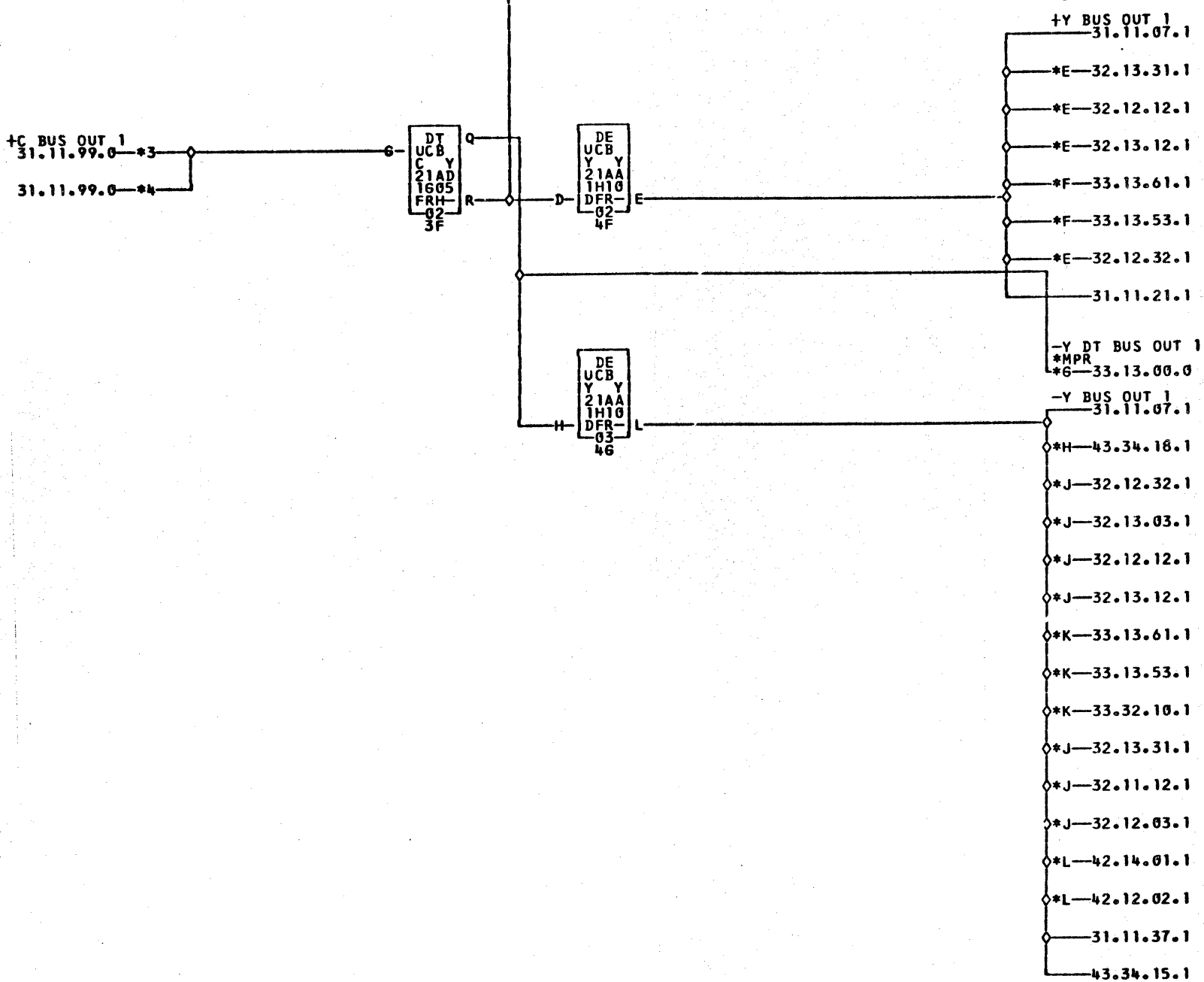
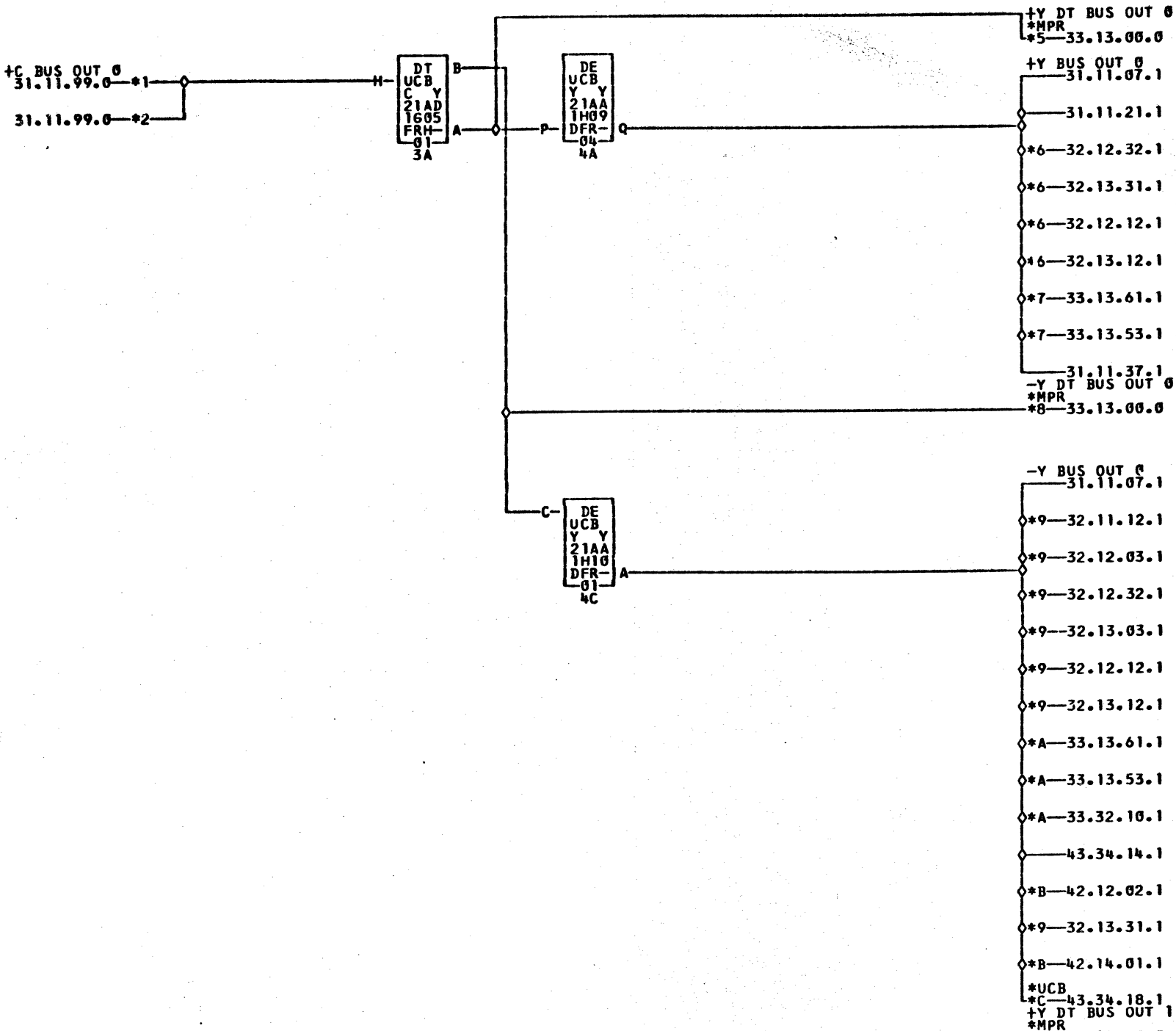
TAG	DATE	E.C.NO.	TAG	DATE	E.C.NO.	TAG	DATE	E.C.NO.	TAG	DATE	E.C.NO.
A	02-17-65	121570M	B	03-18-65	121598	C	04-26-65	124237	D	06-09-65	124249
E	09-09-65	124272	F	11-18-65	125601	G	01-20-66	125617	H	06-02-66	125646
J	04-21-67	125672	K	08-02-67	130813	L	09-13-67	130814			

2-1

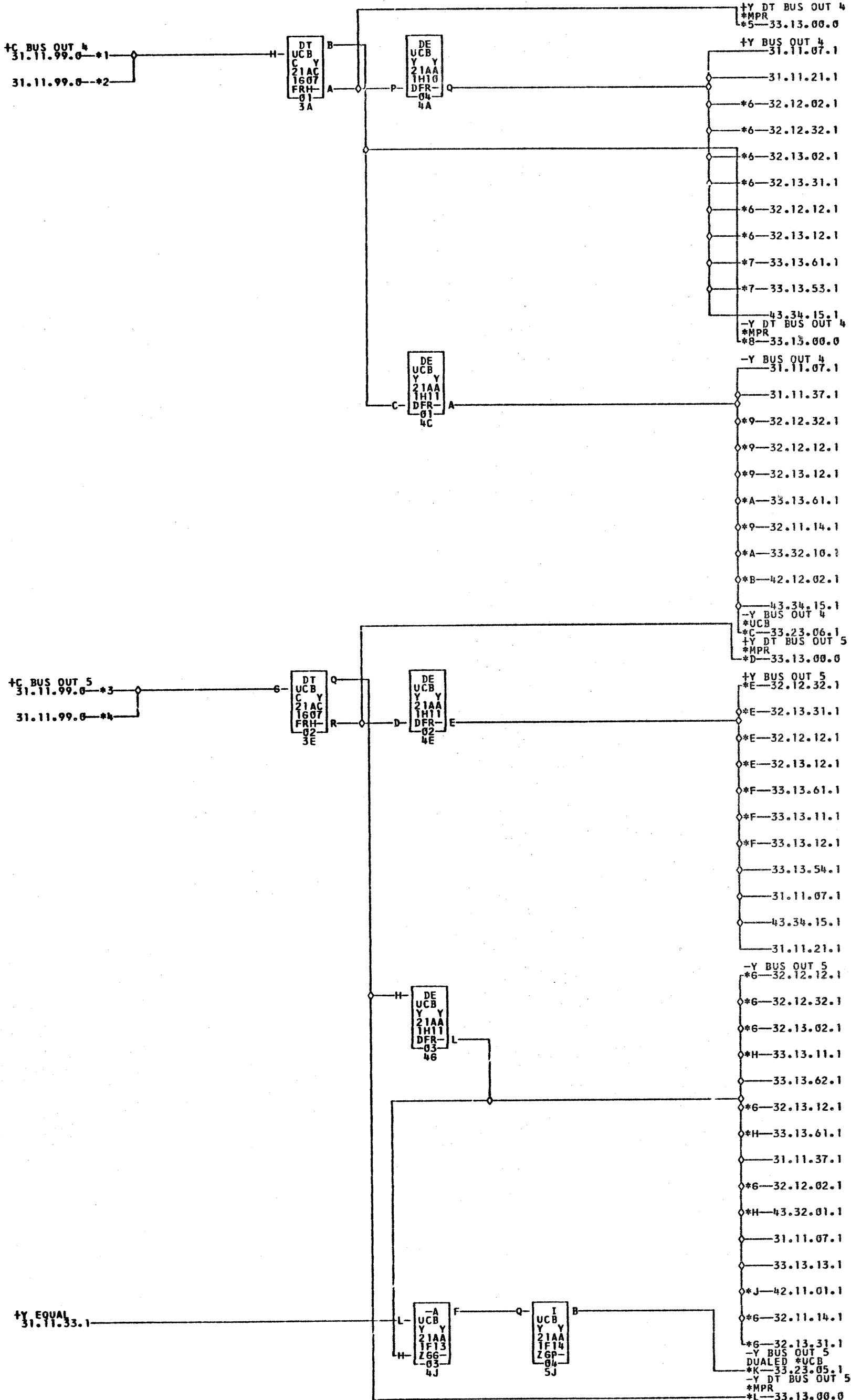


- |             |             |             |             |             |             |
|-------------|-------------|-------------|-------------|-------------|-------------|
| *1-21A1A01C | *2-21A1F06R | 21B1F02R    | *3-21A1F06R | *5-21B1F02R | 21B1F24A    |
| 21B3T24A    | 21B3A31H    | 21B4A02H    | *4-21A1E04B | 21B1F05A    | 21B1F03A    |
| *6-21A1E04C | *7-21A1D02P | CEPA057     | *8-21A1F03M | *B-21A1F05M | 21B1E01C    |
| CERPA028    | *9-21A1E02N | *A-21A1F04K | 21B1F04K    | *G-21A1F04M | 21B1F04M    |
| *C-21A1E04D | *D-21A1F05P | 21B1F03P    | 21B1T23D    | *6-21A1F04L | 21B3A31L    |
| 21B4A026    | *E-21A1F05P | 21B1F03P    | *F-21A1E02F | *H-21A1F04L | 21B1F04L    |
| *H-21A1E06P | *J-21A1F05N | 21B1F03N    | *K-21A1FC4P | 21B1F04P    | *L-21A1E04E |



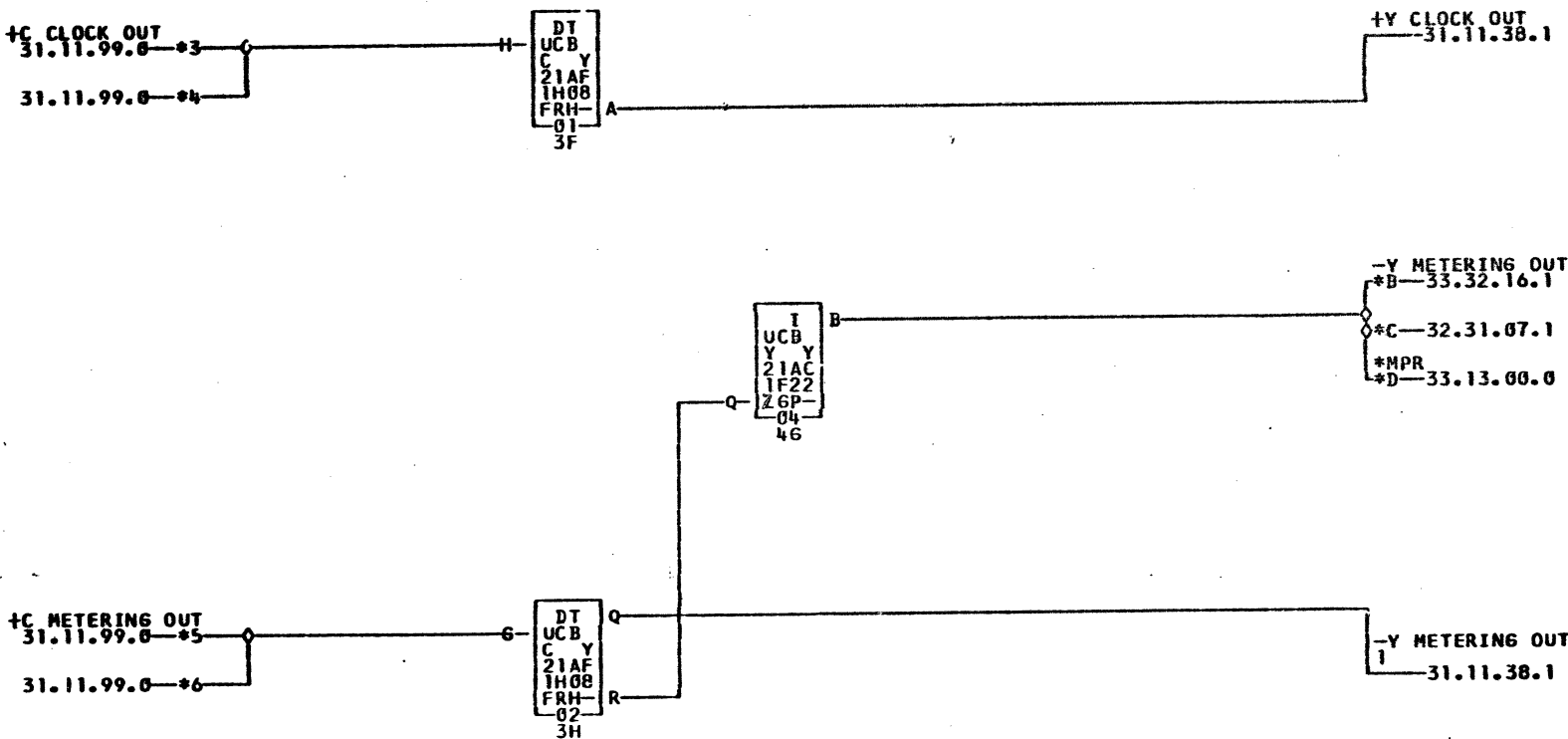
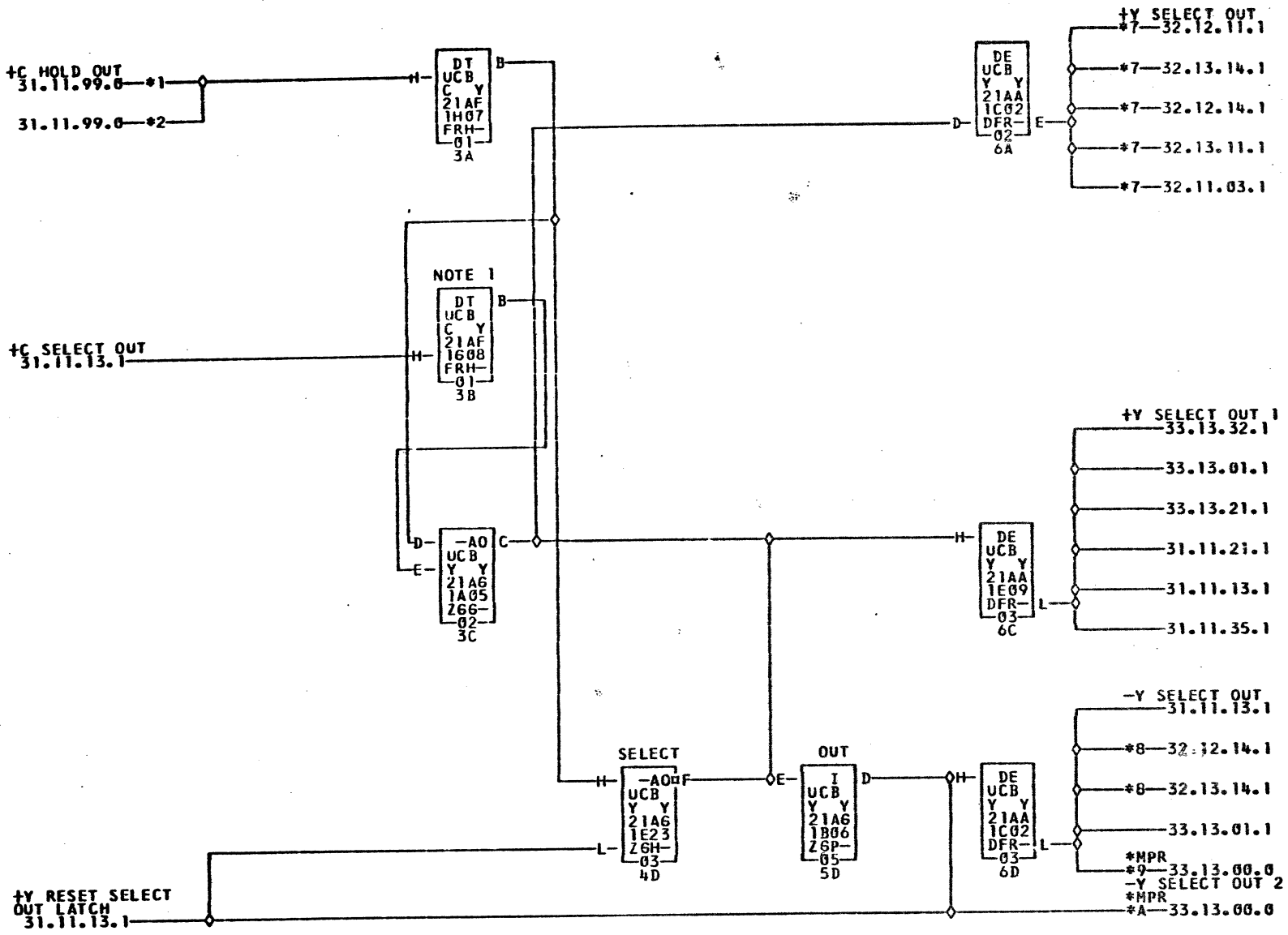


- \*1-21A1602E
- \*2-21A1604E
- \*3-21A1602F
- \*4-21A1604F
- \*5-21A1E01A
- \*6-21A1F07A
- \*A-21A1T17D
- \*7-21A1T17C
- \*B-21A1F07L
- \*8-21A1E01B
- \*9-21A1F07L
- \*C-21A1H30R
- \*8-21A1E01C
- \*9-21B1F01L
- \*10-21B1B32A
- \*11-21B1F01B
- \*12-21A1T18A
- \*13-21A1E01D
- \*14-21A1F07B
- \*15-21A1F01B
- \*16-21A1F01M
- \*17-21A1E01D
- \*18-21A1F07C
- \*19-21A4A02C
- \*20-21A1F07M
- \*21-21B1B32B
- \*22-21B4C02B
- \*K-21A1T18B
- \*18-21A3T18B
- \*L-21A1F07M
- \*21-21B1F61M



*1-21A1G02K	*2-21A1G04K	*3-21A1G02L	*4-21A1G04L	*5-21A1E01K	*6-21A1F07E
*A-21A1F01E	*7-21A1T19C	*B-21A1F07Q	*E-21A1E01L	*8-21A1F07Q	*9-21A1E32H
*C-21A1H29M	*6-21A1F07R	*D-21A1E01M	*H-21A1T20B	*F-21A1T20A	*J-21A1F07R
21A1H20A	21B1A32A	21B4D02A	*K-21A1H29L	*I-21A1F14	*L-21A1E01N
21B1F01R				21A4A02L	





\*1-21A1H01N  
\*7-21A1F05C  
\*B-21A1T06B  
\*D-21A1E06Q

\*2-21A1H03N  
21B1F03C  
21A3T06B

\*3-21A1H01D  
\*8-21A1F05D  
\*C-21A1F03L

\*4-21A1H03D  
21B1F03D  
21B1F05L

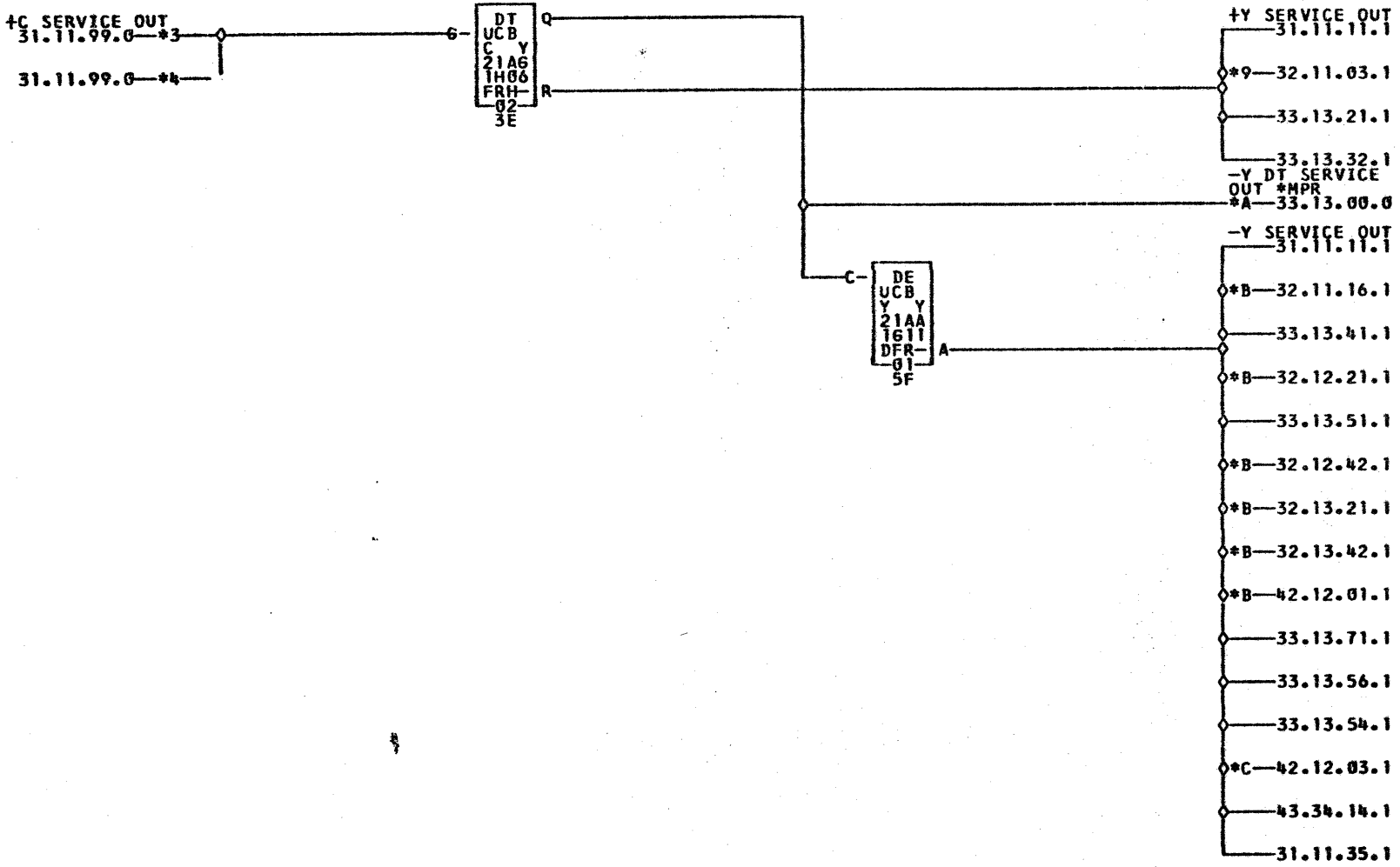
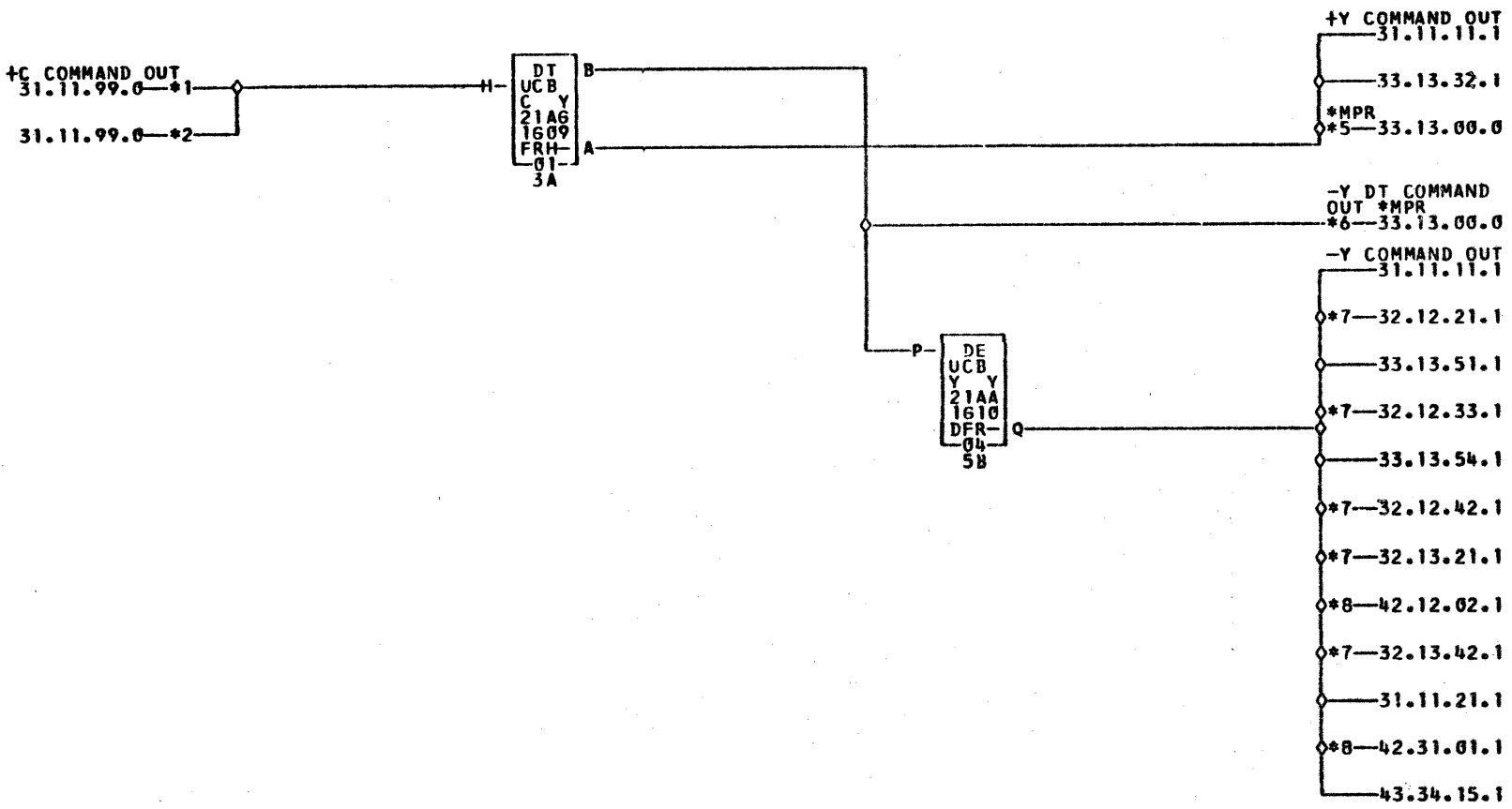
\*5-21A1H01E  
\*9-21A1E04F  
21B1T14A

\*6-21A1H03E  
\*A-21A1E026  
21B3T14A

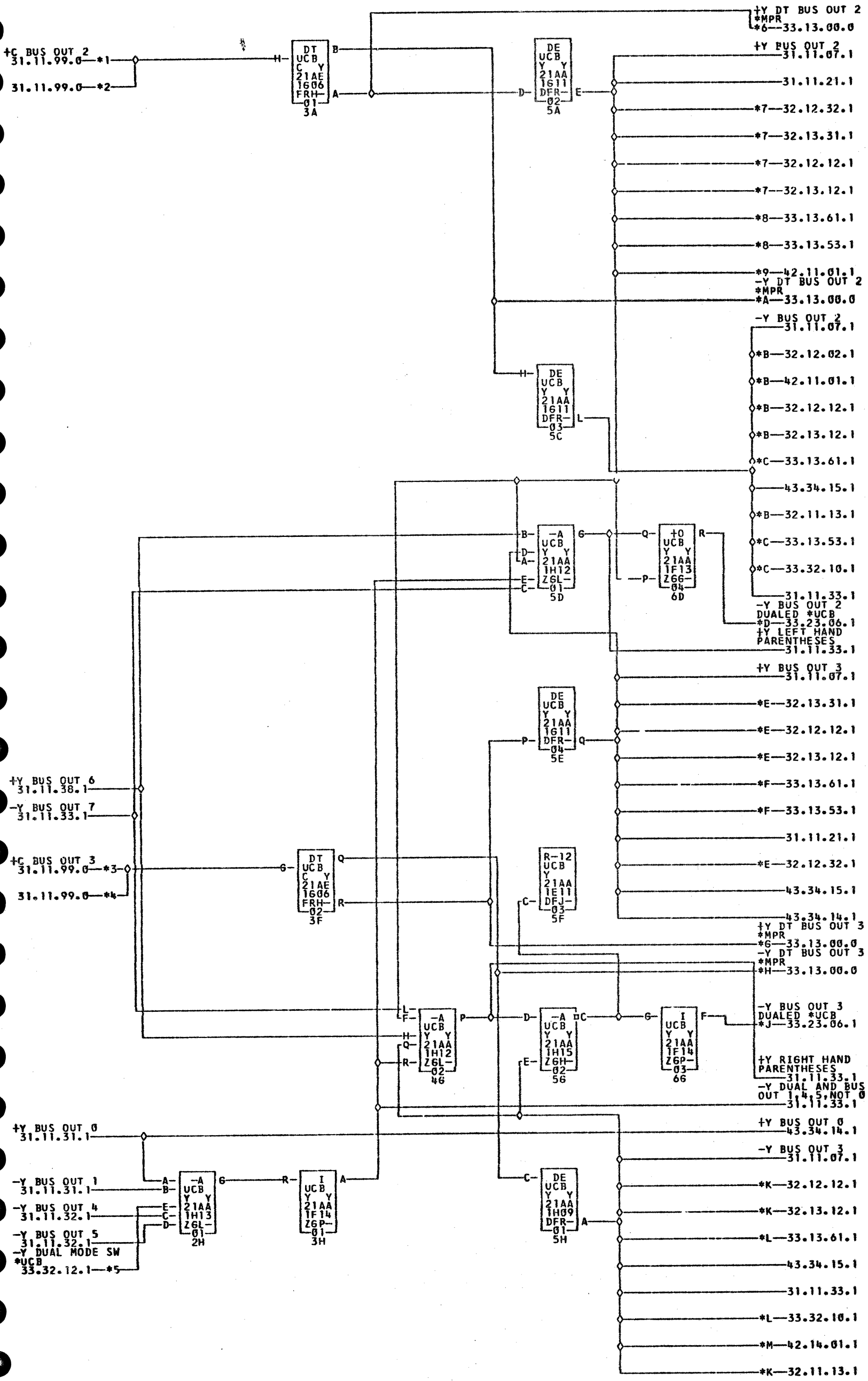
MDM 5000 COMMENTS  
NOTE 1-PIN H TERMINATED THRU A 95.3 OHM BACKPANEL RESISTOR TO GROUND

TAG	DATE	E.C.NO.	TAG	DATE	E.C.NO.	TAG	DATE	E.C.NO.	TAG	DATE	E.C.NO.
A	02-17-65	12157GM	B	03-18-65	121598	C	04-26-65	124237	D	06-09-65	124249
E	08-19-65	124270	F	08-02-67	130813	G	09-13-67	130814			





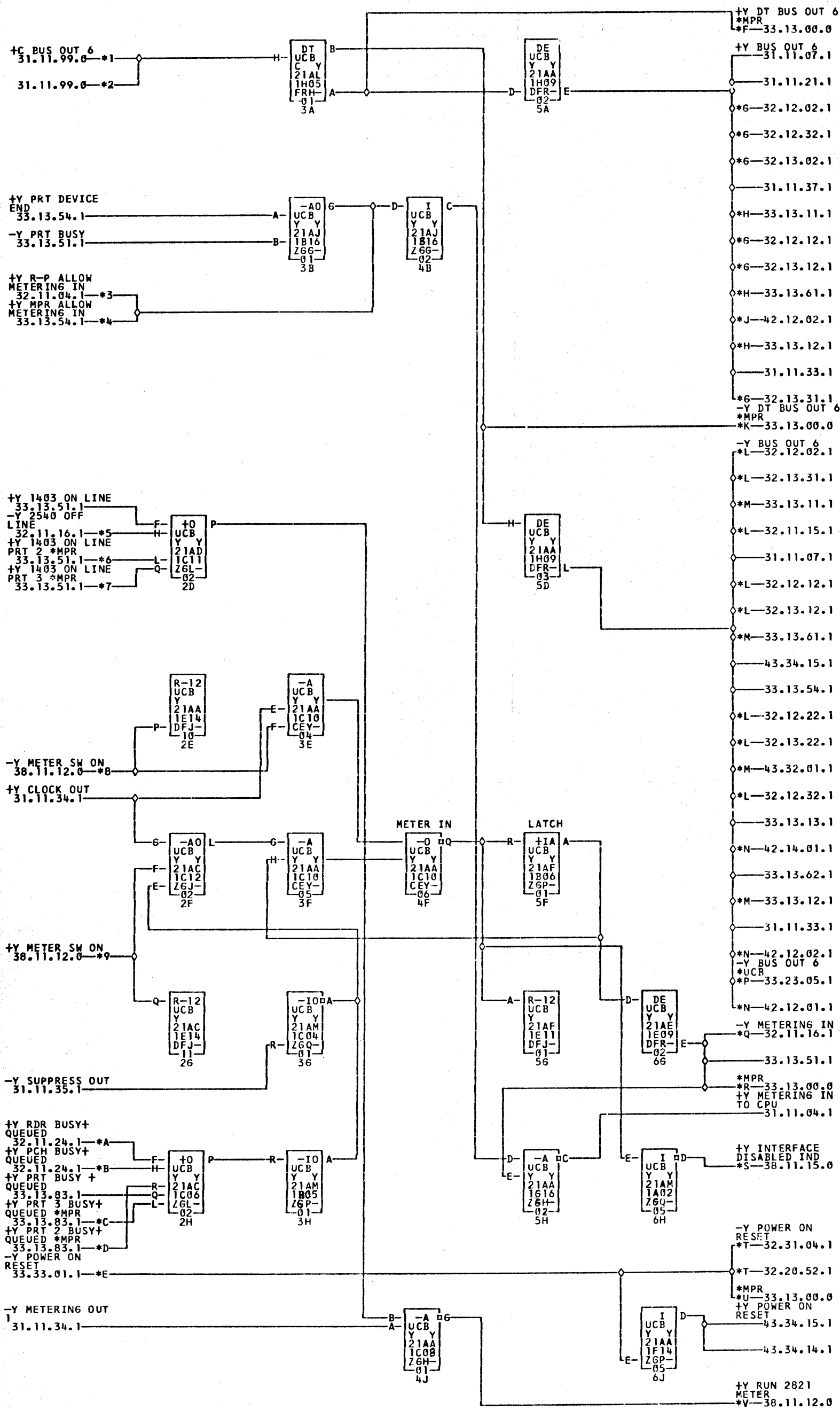
- \*1-21A1601M
- \*2-21A1603M
- \*3-21A1601Q
- \*4-21A1603Q
- \*5-21A1606R
- \*6-21A1602H
- \*7-21A1F06L
- \*8-21B1F02L
- \*A-21A1F06L
- \*B-21B1F02L
- \*B-21B1E32M
- \*7-21A1F06P
- \*8-21B1F02P
- \*A-21A1E02K
- \*B-21A1F06Q
- \*C-21B1F02Q
- \*8-21B1T24B
- \*9-21B3T24B
- \*E-21B3A31K
- \*F-21B4A02K



- \*1-21A1602G
- \*2-21A1604G
- \*3-21A1602H
- \*4-21A1604H
- \*5-21A1T29B
- \*6-21A1E01E
- \*7-21A1F07C
- \*8-21A1T18C
- \*9-21A1F07C
- \*A-21A1E01F
- \*B-21A3T18C
- \*B-21B1F01C
- \*C-21A1F07N
- \*C-21A1F07N
- \*D-21B1T22A
- \*E-21B3T22A
- \*E-21B4F01P
- \*F-21A1T18D
- \*F-21A1T19A
- \*G-21A1H29P
- \*H-21A1E01H
- \*H-21A1H29N
- \*I-21A4A02P
- \*I-21B1F01P
- \*J-21A1F07D
- \*J-21A1H29N
- \*K-21A1F07P
- \*K-21B1B32C
- \*L-21A1T19B
- \*L-21A1T19B

TAG	DATE	E.C.NO.	TAG	DATE	E.C.NO.	TAG	DATE	E.C.NO.	TAG	DATE	E.C.NO.
A	02-17-65	121570M	B	03-18-65	121598	C	08-19-65	124270	D	02-15-66	125632
E	08-02-67	136813									

MDM. 4181-5000-5182 COMMENTS

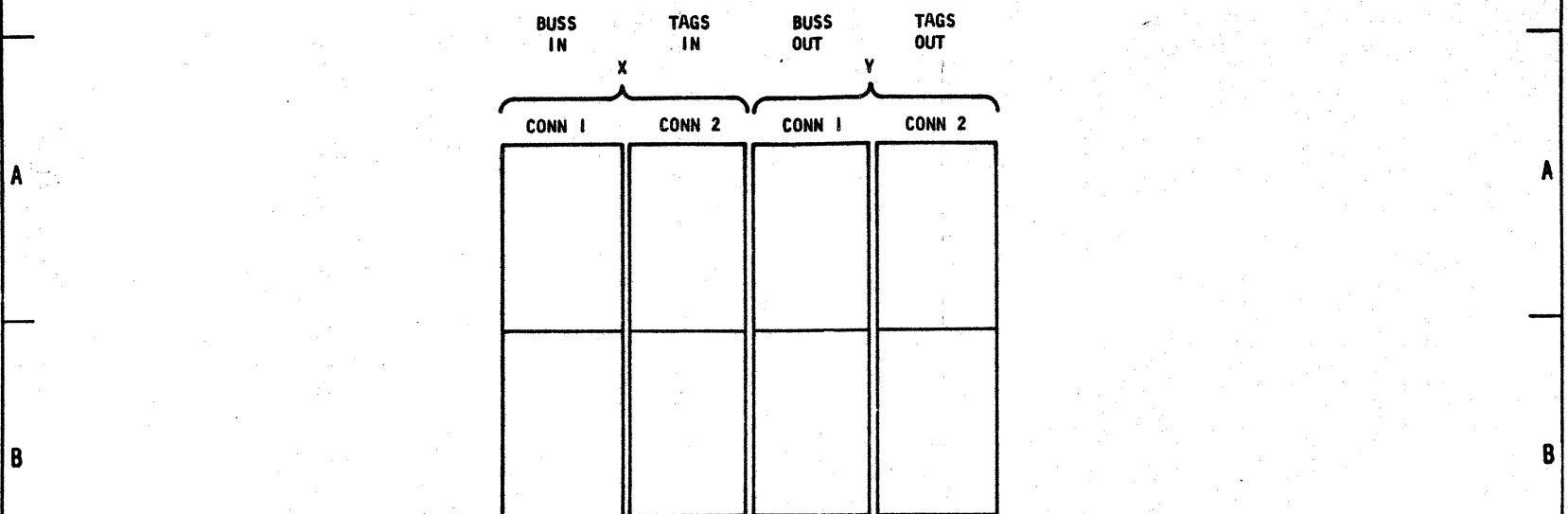


- \*1-21A1602M
- \*2-21A1604M
- \*3-21A1F02R
- \*4-21A1E04Q
- \*5-21A1F02L
- \*6-21A1E02P
- \*7-21A1E02L
- \*8-21A1A01B
- \*9-21A1A01A
- \*A-21A1F02M
- \*B-21A1F02N
- \*C-21A1E06H
- \*D-21A1E066
- \*E-21A1T05A
- \*F-21A1E01P
- \*G-21A1E02M
- \*H-21A1F016
- \*I-21A1E01Q
- \*J-21A3T20C
- \*K-21A1F076
- \*L-21A1F06A
- \*M-21A1T20D
- \*N-21A1F03N
- \*O-21B1F02A
- \*P-21A1F06A
- \*Q-21B1T22D
- \*R-21B3A31C
- \*S-21B4A02C
- \*T-21A1F29K
- \*U-21A1F04A
- \*V-21B1F04A
- \*W-21B1F04Q
- \*X-21B1F04K
- \*Y-21B1F04A
- \*Z-21B1F04A

MDM.5000 COMMENTS

TAG	DATE	E.C.NO.	TAG	DATE	E.C.NO.	TAG	DATE	E.C.NO.	TAG	DATE	E.C.NO.
A	32-17-65	121570M	B	03-10-65	121598	C	04-26-65	124237	D	05-24-65	124248
E	06-09-65	124249	F	08-19-65	124270	G	10-11-65	125598	H	02-15-66	125632
J	03-10-66	125633	K	04-21-67	125672	L	08-02-67	130813	M	09-13-67	130814





CONNECTOR GROUP X MATES WITH CABLES FROM CPU OR FROM ADJACENT CONTROL UNIT.

CONNECTOR GROUP Y MATES WITH CABLES FROM ADJACENT CONTROL UNIT, OR WITH TERMINATOR CONNECTOR ASSEMBLIES IF THE 2821 IS THE LAST BOX.  
BUS TERMINATOR PN 5440649  
TAG TERMINATOR PN 5440650

## SERPENT AND EDGE CONNECTOR ASSIGNMENTS

SIGNAL NAME	LOGIC PAGE	EDGE CONN ON 21A1	SERPENT CONN SIGNAL PIN	SERPENT CONN SHIELD PIN
+C OP IN	31.11.04.1	G01D	X2-B03	X2-B02
		G03D	X2-B03	X2-B02
+C STATUS IN	31.11.04.1	G01E	X2-D04	X2-D05
		G03E	Y2-D04	Y2-D05
+C ADDRESS IN	31.11.04.1	G01F	X2-B05	X2-B04
		G03F	Y2-B05	Y2-B04
+C SERVICE IN	31.11.04.1	G01G	X2-D06	X2-D07
		G03G	Y2-D06	Y2-D07
+C SELECT IN TO CPU	31.11.13.1	G01H	X2-B08	X2-B07
+C SELECT IN FROM LAST BOX	31.11.13.1	G03H	Y2-B08	Y2-B07
+C SELECT OUT FROM CPU	31.11.13.1	G01K	X2-D09	X2-D08
+C SELECT OUT PRJP	31.11.13.1	G03K	Y2-D09	Y2-D08
+C ADDRESS OUT	31.11.35.1	G01L	X2-B10	X2-B09
		G03L	Y2-B10	Y2-B09
+C COMMAND OUT	31.11.36.1	G01M	X2-D11	X2-D10
		G03M	Y2-D11	Y2-D10
+C SUPPRESS OUT	31.11.35.1	G01N	X2-B12	X2-B13
		G03N	Y2-B12	Y2-B13
+C SERVICE OUT	31.11.36.1	G01Q	X2-D13	X2-D12
		G03Q	Y2-D13	Y2-D12
+C CLOCK OUT	31.11.34.1	H01D	X2-G03	X2-G02
		H03D	Y2-G03	Y2-G02
+C METERING OUT	31.11.34.1	H01E	X2-J04	X2-J05
		H03E	Y2-J04	Y2-J05
+C METERING IN	31.11.04.1	H01F	X2-G05	X2-G04
		H03F	Y2-G05	Y2-G04
+C REQUEST IN	31.11.04.1	H01G	X2-J06	X2-J07
		H03G	Y2-J06	Y2-J07
FEED THROUGH		H01H	X2-G08	X2-G07
		H03H	Y2-G08	Y2-G07
FEED THROUGH		H01K	X2-J09	X2-J08
		H03K	Y2-J09	Y2-J08
FEED THROUGH		H01L	X2-G10	X2-G09
		H03L	Y2-G10	Y2-G09
+C HOLD OUT	31.11.34.1	H01N	X2-G12	X2-G13
		H03N	Y2-G12	Y2-G13
+C OPERATIONAL OUT	31.11.35.1	H01Q	X2-J13	X2-J12
		H03Q	Y2-J13	Y2-J12
+C BUS OUT P	31.11.33.1	G02D	X1-B03	X1-B02
		G04D	Y1-B03	Y1-B02
+C BUS OUT 0	31.11.31.1	G02E	X1-D04	X1-D05
		G04E	Y1-D04	Y1-D05
+C BUS OUT 1	31.11.31.1	G02F	X1-B05	X1-B04
		G04F	Y1-B05	Y1-B04
+C BUS OUT 2	31.11.37.1	G02G	X1-D06	X1-D07
		G04G	Y1-D06	Y1-D07
+C BUS OUT 3	31.11.37.1	G02H	X1-B08	X1-B07
		G04H	Y1-B08	Y1-B07
+C BUS OUT 4	31.11.32.1	G02K	X1-D09	X1-D08
		G04K	Y1-D09	Y1-D08
+C BUS OUT 5	31.11.32.1	G02L	X1-B10	X1-B09
		G04L	Y1-B10	Y1-B09
+C BUS OUT 6	31.11.38.1	G02M	X1-D11	X1-D10
		G04M	Y1-D11	Y1-D10
+C BUS OUT 7	31.11.33.1	G02N	X1-B12	X1-B13
		G04N	Y1-B12	Y1-B13
FEED THROUGH		G02Q	X1-D13	X1-D12
		G04Q	Y1-D13	Y1-D12
+C BUS IN P	31.11.03.1	H02D	X1-G03	X1-G02
		H04D	Y1-G03	Y1-G02
+C BUS IN 0	31.11.03.1	H02E	X1-J04	X1-J05
		H04E	Y1-J04	Y1-J05
+C BUS IN 1	31.11.03.1	H02F	X1-G05	X1-G04
		H04F	Y1-G05	Y1-G04
+C BUS IN 2	31.11.03.1	H02G	X1-J06	X1-J07
		H04G	Y1-J06	Y1-J07
+C BUS IN 3	31.11.03.1	H02H	X1-G08	X1-G07
		H04H	Y1-G08	Y1-G07
+C BUS IN 4	31.11.03.1	H02K	X1-J09	X1-J08
		H04K	Y1-J09	Y1-J08
+C BUS IN 5	31.11.03.1	H02L	X1-G10	X1-G09
		H04L	Y1-G10	Y1-G09
+C BUS IN 6	31.11.03.1	H02M	X1-J11	X1-J10
		H04M	Y1-J11	Y1-J10
+C BUS IN 7	31.11.03.1	H02N	X1-G12	X1-G13
		H04N	Y1-G12	Y1-G13
FEED THROUGH		H02Q	X1-J13	X1-J12
		H04Q	Y1-J13	Y1-J12

## NOTES

- INTERFACE CABLE SHIELDS ARE CONNECTED TO D.C. COMMON THROUGH PADDLE CARD J-PINS.
- FRAME GROUND IS CONNECTED TO D.C. COMMON IN THE PROCESSOR AND IN THE 2821 AT THE EPO CONNECTOR.
- 2821 FRAME GROUND IS CONNECTED TO PROCESSOR FRAME GROUND THROUGH THE EPO SHIELD AND THROUGH THE POWER CORDS TO EARTH GROUND.

DATE	EC NO	DATE	EC NO	DATE	EC NO
2NOV67	130813C				
29NOV67	130813E				
27AUG70	133298				

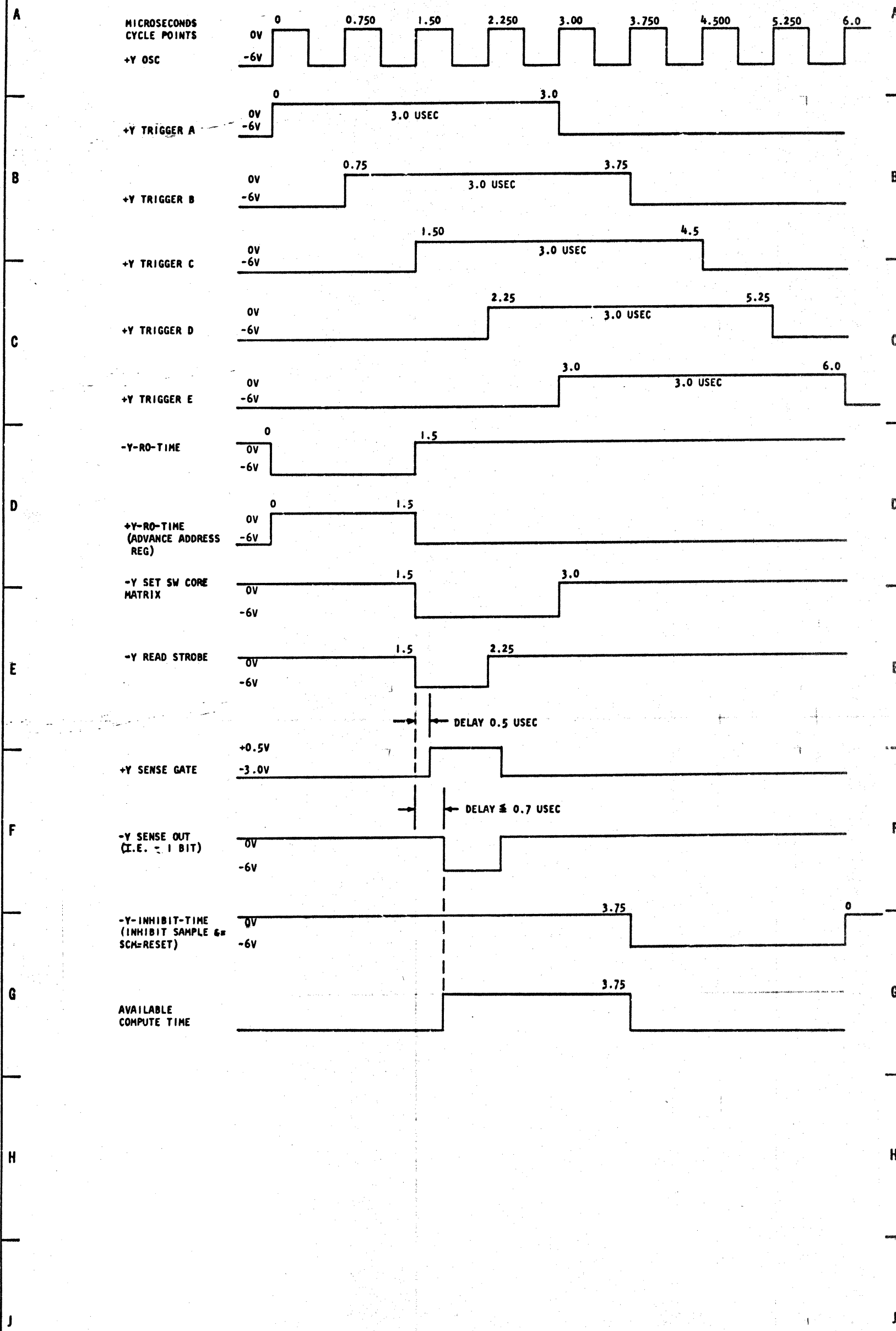
CONNECTOR P N	2821 EDGE CONNECTOR	2821 SIGNAL NAME	2821 SOURCE LOGIC
CERPA001	21B3C01M	+Y DATA REG 12	32.20.31.1
CERPA002	21B3C01N	+Y DATA REG 11	32.20.31.1
CERPA003	21B3C01P	+Y DATA REG 0	32.20.31.1
CERPA004	21B3C01Q	+Y DATA REG 1	32.20.32.1
CERPA005	21B3C01R	+Y DATA REG 2	32.20.32.1
CERPA006	21B3C02A	+Y DATA REG 3	32.20.32.1
CERPA007	21B3C02B	+Y DATA REG 4	32.20.33.1
CERPA008	21B3C02C	+Y DATA REG 5	32.20.33.1
CERPA009	21B3C02D	+Y DATA REG 6	32.20.33.1
CERPA010	21B3C02E	+Y DATA REG 7	32.20.34.1
CERPA011	21B3C02F	+Y DATA REG 8	32.20.34.1
CERPA012	21B3C02G	+Y DATA REG 9	32.20.34.1
CERPA013	21B3C02H	+Y DATA REG P	32.20.34.1
CERPA014	21B3D01N	+Y PUNCH CHECK	32.33.16.1
CERPA015	21B3C03N	+Y READ CHECK	32.20.53.1
CERPA016	21B3C02R	+Y PCH CTR A	32.33.11.1
CERPA017	21B3C03A	+Y PCH CTR B	32.33.11.1
CERPA018	21B3C03C	+Y PCH CTR C	32.33.11.1
CERPA019	21B3C03D	+Y PCH CTR D	32.33.11.1
CERPA020	21B3C03E	+Y PCH CTR E	32.33.12.1
CERPA021	21B3C03B	+Y PCH CTR F	32.33.12.1
CERPA022	21B3C02K	+Y RD CTR A	32.32.11.1
CERPA023	21B3C02L	+Y RD CTR B	32.32.11.1
CERPA024	21B3C02M	+Y RD CTR C	32.32.11.1
CERPA025	21B3C02N	+Y RD CTR D	32.32.11.1
CERPA026	21B3C02P	+Y RD CTR E	32.32.11.1
CERPA027	21B3C02Q	+Y RD CTR F	32.32.11.1
CERPA028	21B1E01C	+Y BURST SW ON	33.11.21.1
CERPA029	21B3D01H	+Y DATA REG XU	32.20.35.1
CERPA030	21B3D01R	+Y DATA REG XL	32.20.35.1
CERPA031	21B3C01F	+Y BAR TENS A	32.20.16.1
CERPA032	21B3C01G	+Y BAR TENS B	32.20.16.1
CERPA033	21B3C01H	+Y BAR TENS C	32.20.16.1
CERPA034	21B3C01A	+Y BAR UNITS A	32.20.15.1
CERPA035	21B3C01B	+Y BAR UNITS B	32.20.15.1
CERPA036	21B3C01C	+Y BAR UNITS C	32.20.15.1
CERPA037	21B3C03H	+Y RD SELECT	32.20.17.1
CERPA038	21B1G01C	+Y RDR ADAPTER REQ	32.12.11.1
CERPA039	21B1G01E	+Y RDR INTERRUPT	32.12.42.1
CERPA040	21B1G01G	+Y RDR COMMAND STORED	32.12.02.1
CERPA041	21B3C03Q	+Y RDR READY	32.31.02.1
CERPA043	21B1G01A	+Y RDR OP IN	32.12.14.1
CERPA044	21B3D01K	+Y PFR VALIDITY	42.12.03.1
CERPA045	21B1E01B	+Y READ VAL CHK	32.12.34.1
CERPA046	21B3C01L	+Y BAR TENS E	32.20.17.1
CERPA047	21B3C01K	+Y BAR TENS D	32.20.17.1
CERPA049	21B3C01E	+Y BAR UNITS E	32.20.16.1
CERPA050	21B3C01D	+Y BAR UNITS D	32.20.15.1
CERPA052	21B3C03G	+Y PCH SELECT	32.20.17.1
CERPA053	21B1G01D	+Y PCH ADAPTER REQ	32.13.11.1
CERPA054	21B1G01F	+Y PCH INTERRUPT REQ	32.13.42.1
CERPA055	21B1G01H	+Y PCH COMMAND STORED	32.13.02.1
CERPA056	21B3C03P	+Y PCH READY	32.31.02.1
CERPA058	21B1G01B	+Y PCH OP IN	32.13.14.1
CERPA059	21B3D01M	+Y ADDRESS CHECK	32.20.53.1
CERPA060	21B3C03K	+Y PARITY CHECK	32.20.52.1
CERPA062	21B3C03L	+Y CHECK RESET	32.20.52.1
CERPA064	21B3D01A	+Y ADDRESS SET	32.20.12.1
CERPA065	21B1E01N	SPARE TOGGLE SW N-0	
CERPA066	21B1H01K	SPARE TOGGLE SW N-0	
CERPA067	21B3D01L	+Y CHECK STOP	32.20.53.1
CERPA070	21B1H01G	-Y DATA ENTRY 0	32.11.12.1
CERPA071	21B1H01H	-Y DATA ENTRY 1	32.11.12.1
CERPA072	21B1H01L	-Y DATA ENTRY 2	32.11.13.1
CERPA073	21B1H01M	-Y DATA ENTRY 3	32.11.13.1
CERPA074	21B1H01P	-Y DATA ENTRY 4	32.11.14.1
CERPA075	21B1H01Q	-Y DATA ENTRY 5	32.11.14.1
CERPA076	21B1H01R	-Y DATA ENTRY 6	32.11.15.1
CERPA077	21B1E01A	-Y DATA ENTRY 7	32.11.15.1
CERPA079	21B1H01N	SPARE TOGGLE SW N-0	
CERPA080	TB1-11	24V AC INPUT	38.11.06.0
CERPA081	TB1-12	24V AC INPUT	38.11.06.0
CERPA082	TB1-12	24V AC INPUT	38.11.06.0
CERPA083	21B3C03J	CE SWITCH GROUND	
CERPA084	CERPA03J	+3 VOLT SUPPLY	
CERPA085	21B1H01F	-Y DATA ENTER DRIVE	32.11.13.1
CERPA086	21B1E01M	-6 VOLT REF, 3V COMMON	
CERPA087	21B3D01Q	+Y CE START KEY	32.31.06.1
CERPA088	21B1E01D	+Y CE STOP KEY	32.12.40.1
CERPA089	21B3C03F	+Y MACHINE RESET	32.20.01.1
CERPA090	21B3D01P	+Y NOT CE START KEY	32.31.06.1
CERPA091	21B1H01J	ROTARY SW COMMON	
CERPA092	21B1E01K	+Y OFF LINE SCAM	32.11.16.1
CERPA093	21B1H01B	+Y STORAGE SCAM	32.11.16.1
CERPA094	21B1H01C	+Y PFR MODE	32.11.16.1
CERPA095	21B1H01E	+Y LOAD & SINGLE CYCLE	32.11.16.1
CERPA096	21B1H01D	+Y OFF LINE RUN	32.11.16.1
CERPA097	21B3D01F	-Y CE SET TENS E	32.20.12.1
CERPA098	21B1E01M	-6 VOLT REF, 3V COMMON	
CERPA100	21B1H01F	-Y DATA ENTER DRIVE	32.11.13.1
CERPA101	21B1E01J	DATA ENTRY GRD	
CERPA102	21B1E01G	-Y DATA ENTER N-0	32.11.12.1
CERPA104	21B3D01G	-Y ADDRESS SET	32.20.12.1
CERP001	21B1G01K	+Y CHANNEL REG 0	32.11.12.1
CERP002	21B1G01L	+Y CHANNEL REG 1	32.11.12.1
CERP003	21B1G01M	+Y CHANNEL REG 2	32.11.13.1
CERP004	21B1G01N	+Y CHANNEL REG 3	32.11.13.1
CERP005	21B1G01P	+Y CHANNEL REG 4	32.11.14.1
CERP006	21B1G01Q	+Y CHANNEL REG 5	32.11.14.1
CERP007	21B1G01R	+Y CHANNEL REG 6	32.11.15.1
CERP008	21B1H01A	+Y CHANNEL REG 7	32.11.15.1
CERP009	21B3C03M	SPARE LIGHT	
CERP010	21B3C03R	SPARE LIGHT	
CERP011	21B1E01L	SPARE LIGHT	
CERP013	21B1E01P	SPARE LIGHT	
CERP014	21B1E01Q	+Y RDR XLATE CHK	32.20.79.1
CERP015	21B1E01R	+Y PCH XLATE CHK	32.20.67.1
CERP084	21B1E01E	-Y READ	32.32.13.1
CERP085	21B1E01F	-Y PUNCH OR +Y READ	32.33.17.1
CERP087	21B3D01B	-Y CE SET TENS A	32.20.12.1
CERP089	21B3D01C	-Y CE SET TENS B	32.20.12.1
CERP091	21B3D01D	-Y CE SET TENS C	32.20.12.1
CERP093	21B3D01E	-Y CE SET TENS D	32.20.12.1
CERP093	21B1T25A-21B3T25A		

DATE	EC NO	DATE	EC NO	DATE	EC NO
10-26-64	121567	28JUN67	125674		
2-11-65	121594				
3-25-65	121598				
28APR66	125637				
24JUN66	125647				

826997

RDR-PCH STORAGE TIMING PULSES- 2821  
(1333 1/3 KC OSC)

32.05.02.0



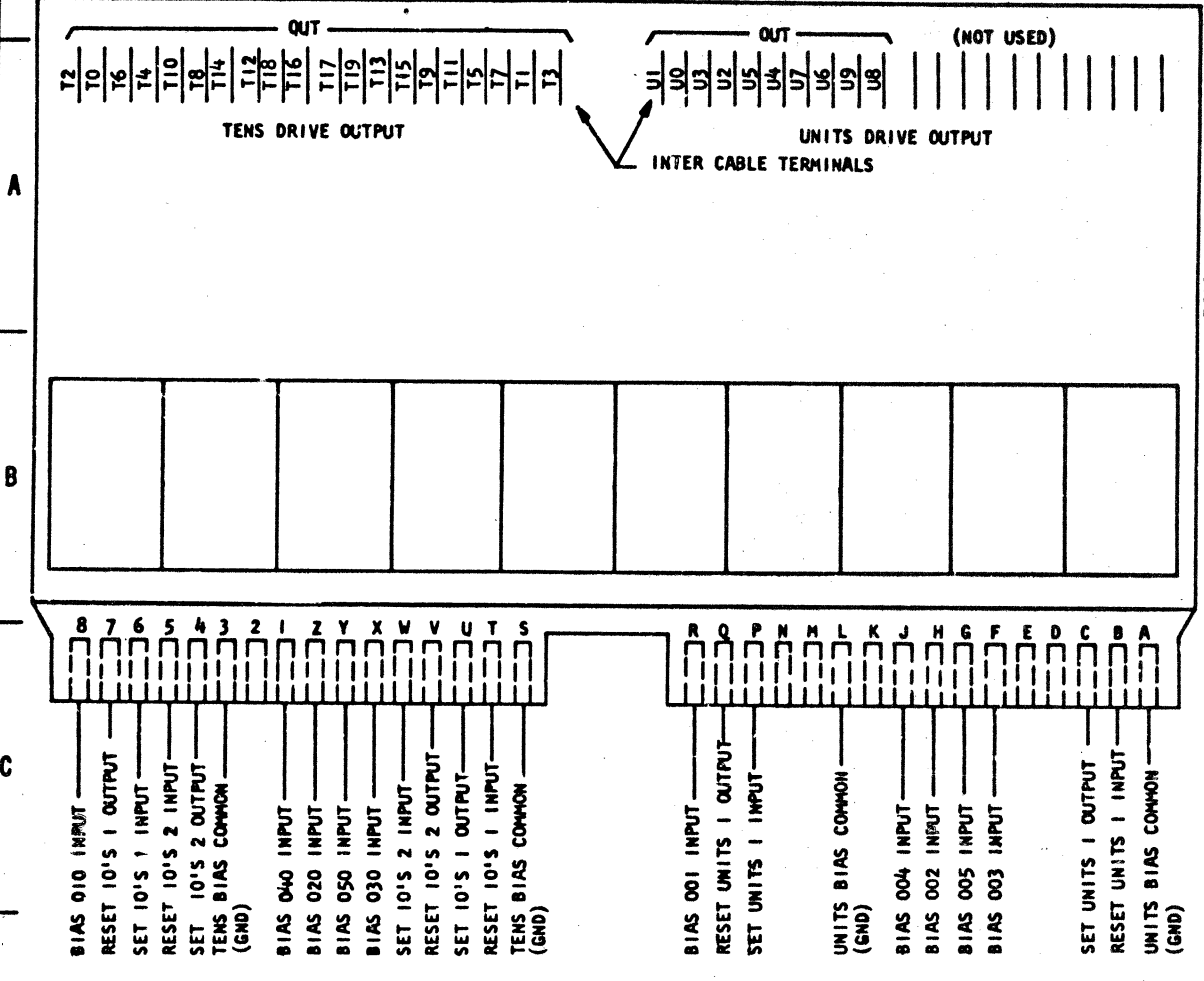
826995

### STORAGE MATRIX SWITCH (DJA-)

2821 -RDR-PCH

32.05.03.0

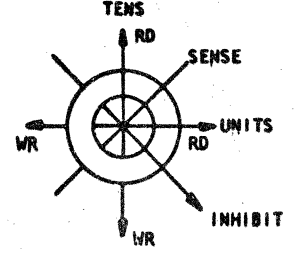
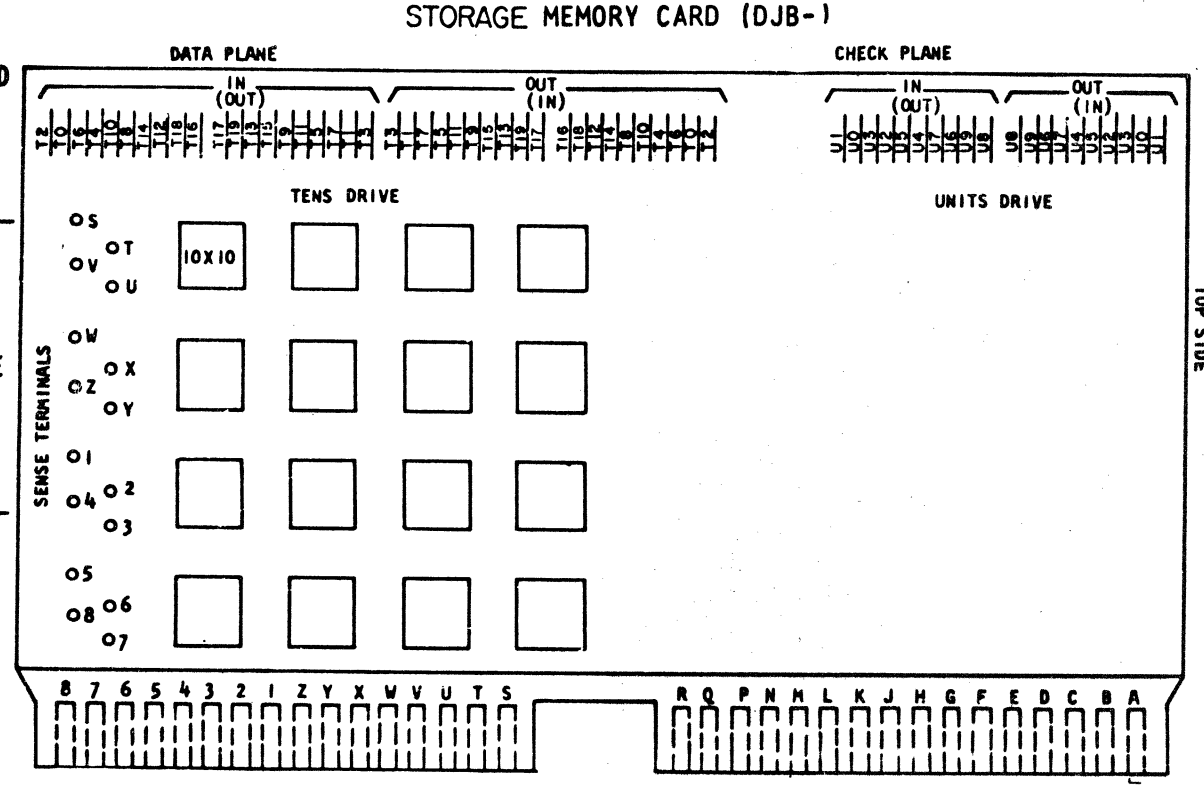
(COMPONENT SIDE) G-18



NOTE: TENS ONE DRIVE IS T0-T9 INCLUSIVE AND USED FOR READER.  
 TENS TWO DRIVE IS T10-T19 INCLUSIVE AND USED FOR PUNCH.

**CORE WINDING DATA**

	TURNS	MA	MA-TURNS
BIAS(2)	14	-175	-4900(TOTAL)
SET	7	+275	+1925
RESET	7	-275	-1925
OUTPUT	5	+270	+1350



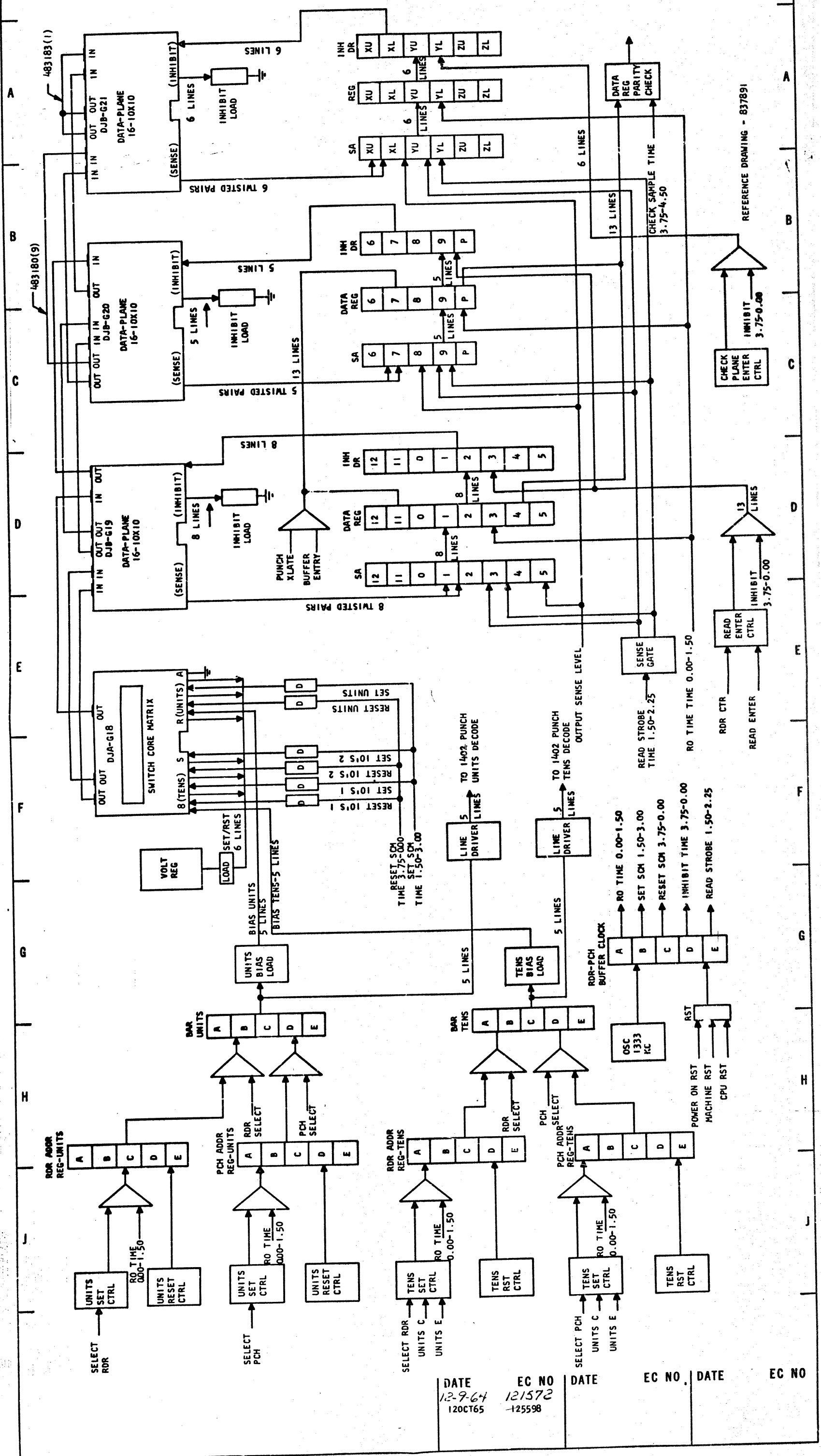
**CORE WINDING DATA**

	TURNS	MA	MA-TURNS
TENS	1	270	270
UNITS	1	270	270
INHIBIT	1	245	245
SENSE	1	-	50 MV(NOM)

**STORAGE MEMORY CARDS (DJB-) IN 21B3**

Letter	Signal	Description
<b>G19 - H19</b>		
A	-V INH CURRENT HOLL	12-IN
B	-V INH CURRENT HOLL	12-IN
C	-V INH CURRENT HOLL	11-OUT
D	-V INH CURRENT HOLL	11-IN
E	-V INH CURRENT HOLL	4-OUT
F	-V INH CURRENT HOLL	4-IN
G	-V INH CURRENT HOLL	1-OUT
H	-V INH CURRENT HOLL	1-IN
J	-V INH CURRENT HOLL	2-IN
K	-V INH CURRENT HOLL	2-OUT
L	-V INH CURRENT HOLL	3-IN
M	-V INH CURRENT HOLL	3-OUT
N	-V INH CURRENT HOLL	0-IN
P	-V INH CURRENT HOLL	0-OUT
Q	-V INH CURRENT HOLL	5-IN
R	-V INH CURRENT HOLL	5-OUT
S	MEM 12 BIT - SENSE	
T	MEM 12 BIT - SENSE	
U	MEM 0 BIT - SENSE	
V	MEM 0 BIT - SENSE	
W	MEM 5 BIT - SENSE	
X	MEM 5 BIT - SENSE	
Y	MEM 4 BIT - SENSE	
Z	MEM 4 BIT - SENSE	
1	MEM 11 BIT - SENSE	
2	MEM 11 BIT - SENSE	
3	MEM 3 BIT - SENSE	
4	MEM 3 BIT - SENSE	
5	MEM 1 BIT - SENSE	
6	MEM 1 BIT - SENSE	
7	MEM 2 BIT - SENSE	
8	MEM 2 BIT - SENSE	
<b>G20 - H20</b>		
A	-V INH CURRENT HOLL	6-IN
B	-V INH CURRENT HOLL	6-OUT
C	-V INH CURRENT HOLL	7-IN
D	-V INH CURRENT HOLL	7-OUT
E		
F		
G	-V INH CURRENT HOLL	9-IN
H	-V INH CURRENT HOLL	9-OUT
J	-V INH CURRENT HOLL	P-OUT
K	-V INH CURRENT HOLL	P-IN
L		
M		
N	-V INH CURRENT HOLL	8-OUT
P	-V INH CURRENT HOLL	8-IN
Q		
R		
S	MEM 6 BIT - SENSE	
T	MEM 6 BIT - SENSE	
U	MEM 8 BIT - SENSE	
V	MEM 8 BIT - SENSE	
W		
X		
Y		
Z		
1	MEM 7 BIT - SENSE	
2	MEM 7 BIT - SENSE	
3		
4		
5	MEM 9 BIT - SENSE	
6	MEM 9 BIT - SENSE	
7	MEM P BIT - SENSE	
8	MEM P BIT - SENSE	
<b>G21 - H21</b>		
A	-V INH CURRENT XU-OUT	
B	-V INH CURRENT XU-IN	
C	-V INH CURRENT XL-OUT	
D	-V INH CURRENT XL-IN	
E		
F		
G	-V INH CURRENT YL-OUT	
H	-V INH CURRENT YL-IN	
J	-V INH CURRENT ZU-IN	
K	-V INH CURRENT ZU-OUT	
L	-V INH CURRENT ZL-IN	
M	-V INH CURRENT ZL-OUT	
N	-V INH CURRENT YU-IN	
P	-V INH CURRENT YU-OUT	
Q		
R		
S	MEM XU BIT - SENSE	
T	MEM XU BIT - SENSE	
U	MEM YU BIT - SENSE	
V	MEM YU BIT - SENSE	
W		
X		
Y		
Z		
1	MEM XL BIT - SENSE	
2	MEM XL BIT - SENSE	
3	MEM ZL BIT - SENSE	
4	MEM ZL BIT - SENSE	
5	MEM YL BIT - SENSE	
6	MEM YL BIT - SENSE	
7	MEM ZU BIT - SENSE	
8	MEM ZU BIT - SENSE	

DATE	EC NO	DATE	EC NO	DATE	EC NO
12-9-64	121572				
16FEB67	125658				

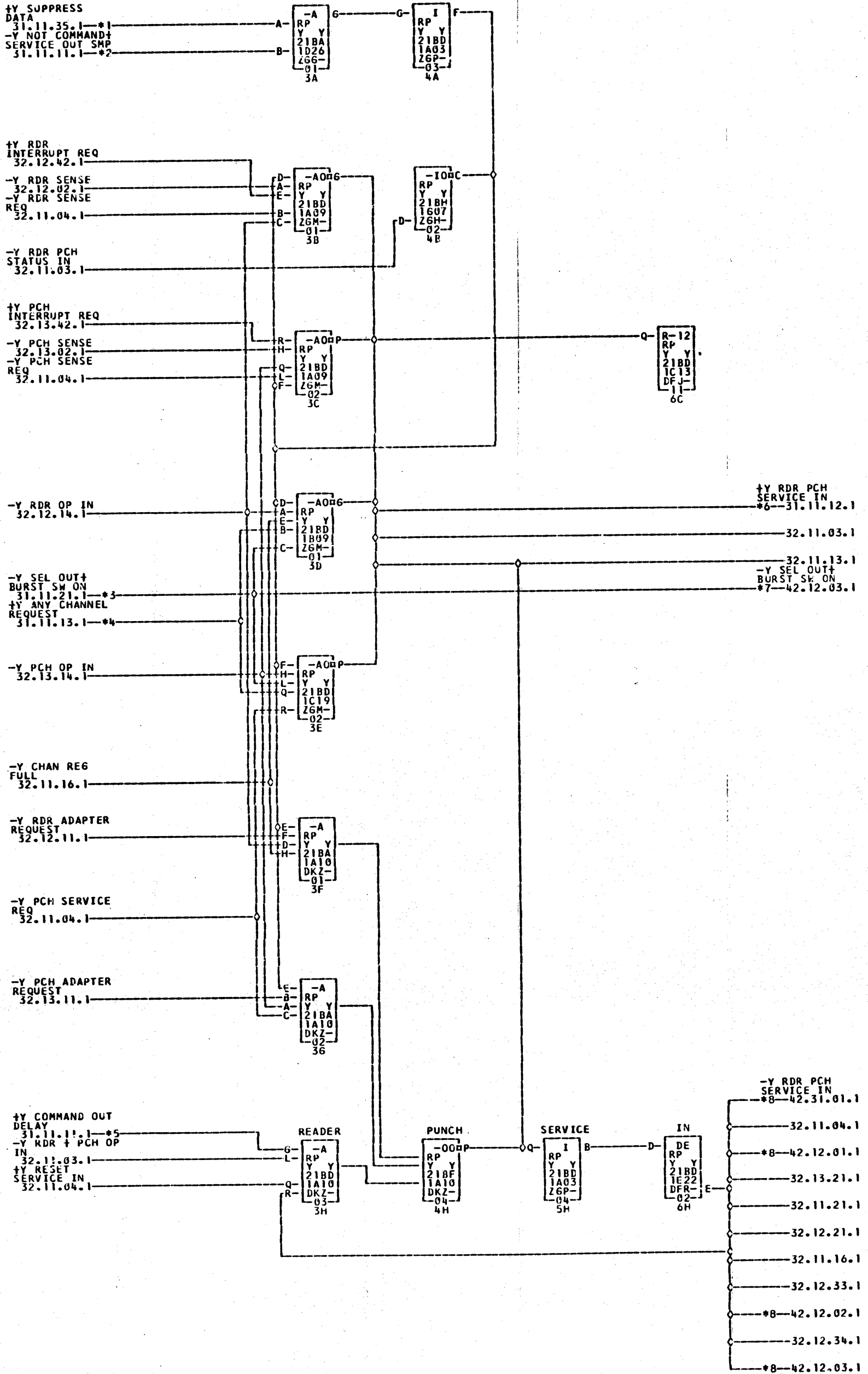


REFERENCE DRAWING - 837891

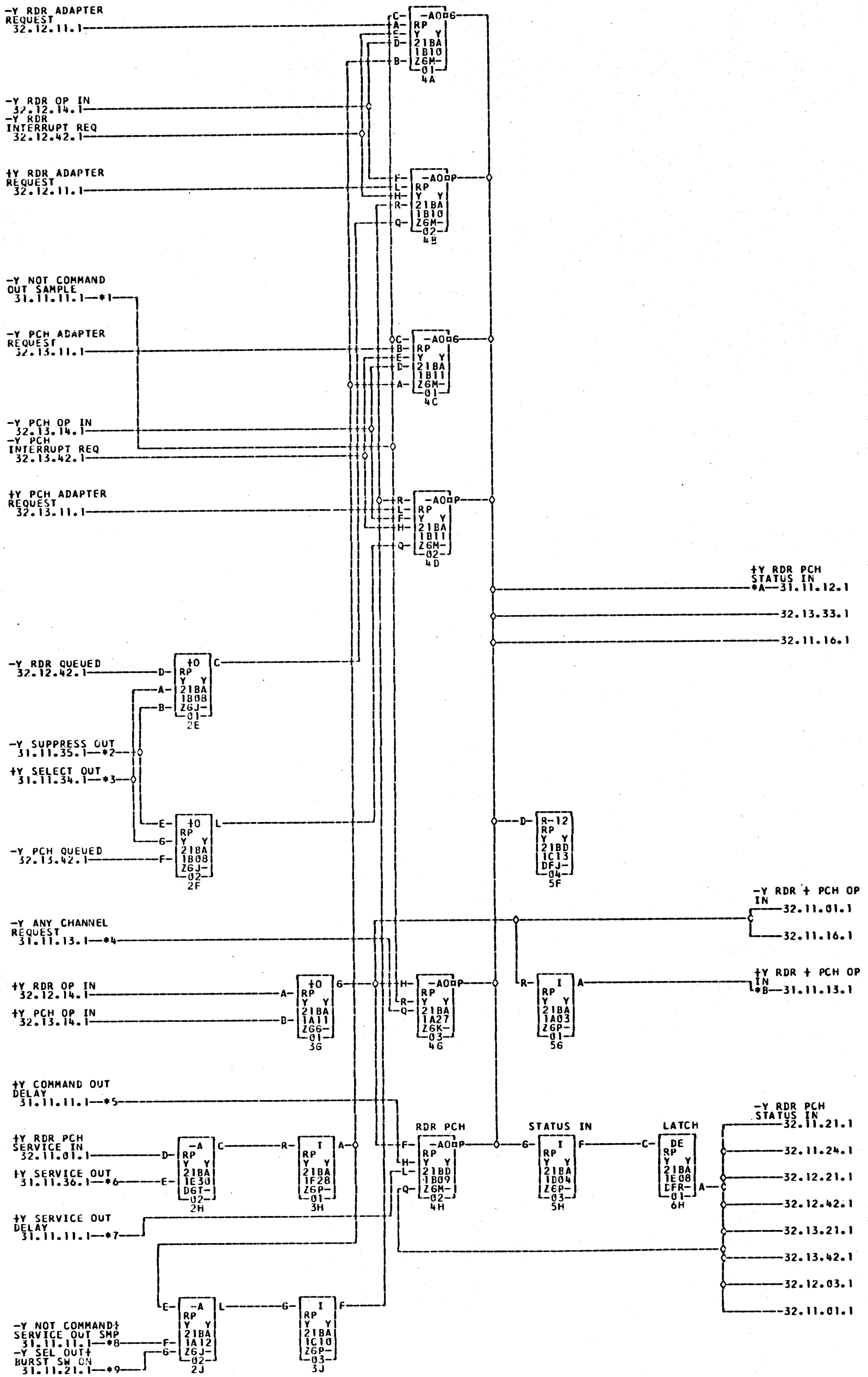
DATE 12-9-64 EC NO 121572  
 120CT65 -125598

DATE EC NO

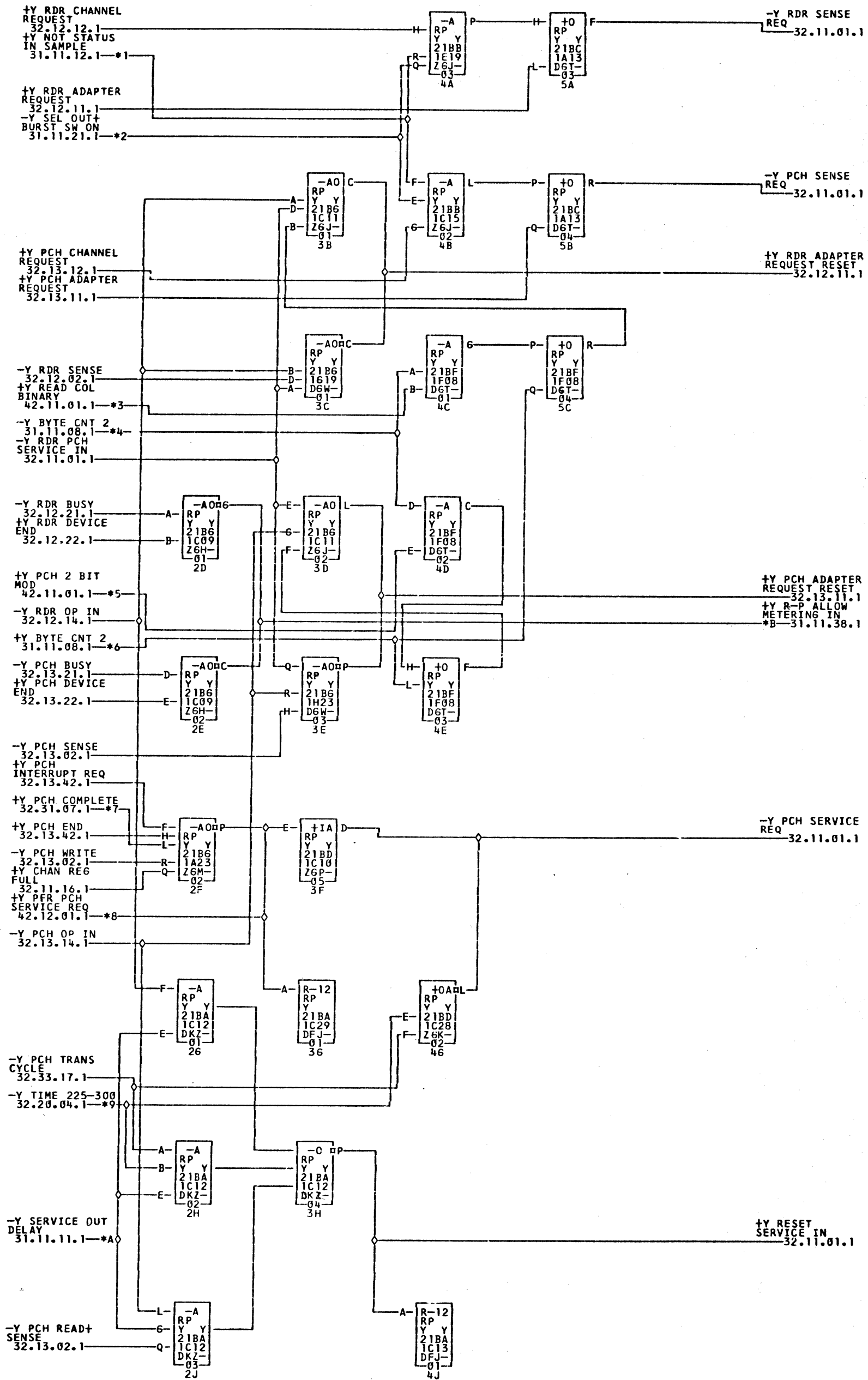
DATE EC NO



- \*1-21B1F04B
- 21A1F02C
- 21B4F03D
- \*2-21B1F02K
- 21B1T24A
- \*3-21B1F02R
- 21B3T24A
- \*4-21B1F04E
- 21B3A31H
- \*5-21B1F02G
- 21B4A02H
- \*6-21B1F06L
- \*8-21B1H32D

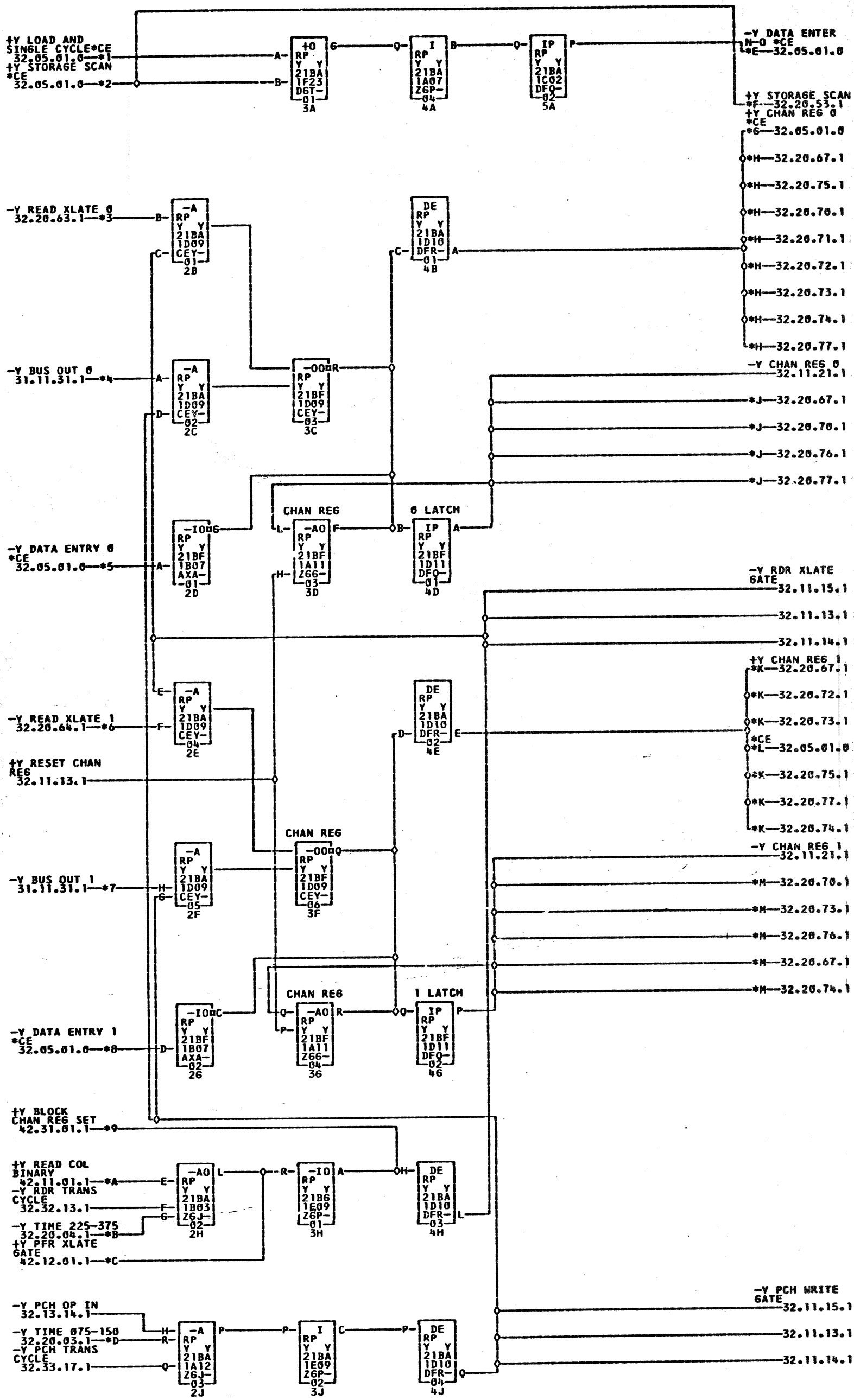


- \*1-21B1F02F      \*2-21B1F02D      \*3-21B1F03C      \*4-21B1F04D      \*5-21B1F02G      \*6-21B1FJ2P
- \*7-21B1F02M      \*8-21B1F02K      \*9-21B1F02R      \*A-21B1F06B      -21A1F02B      \*B-21B1F06K

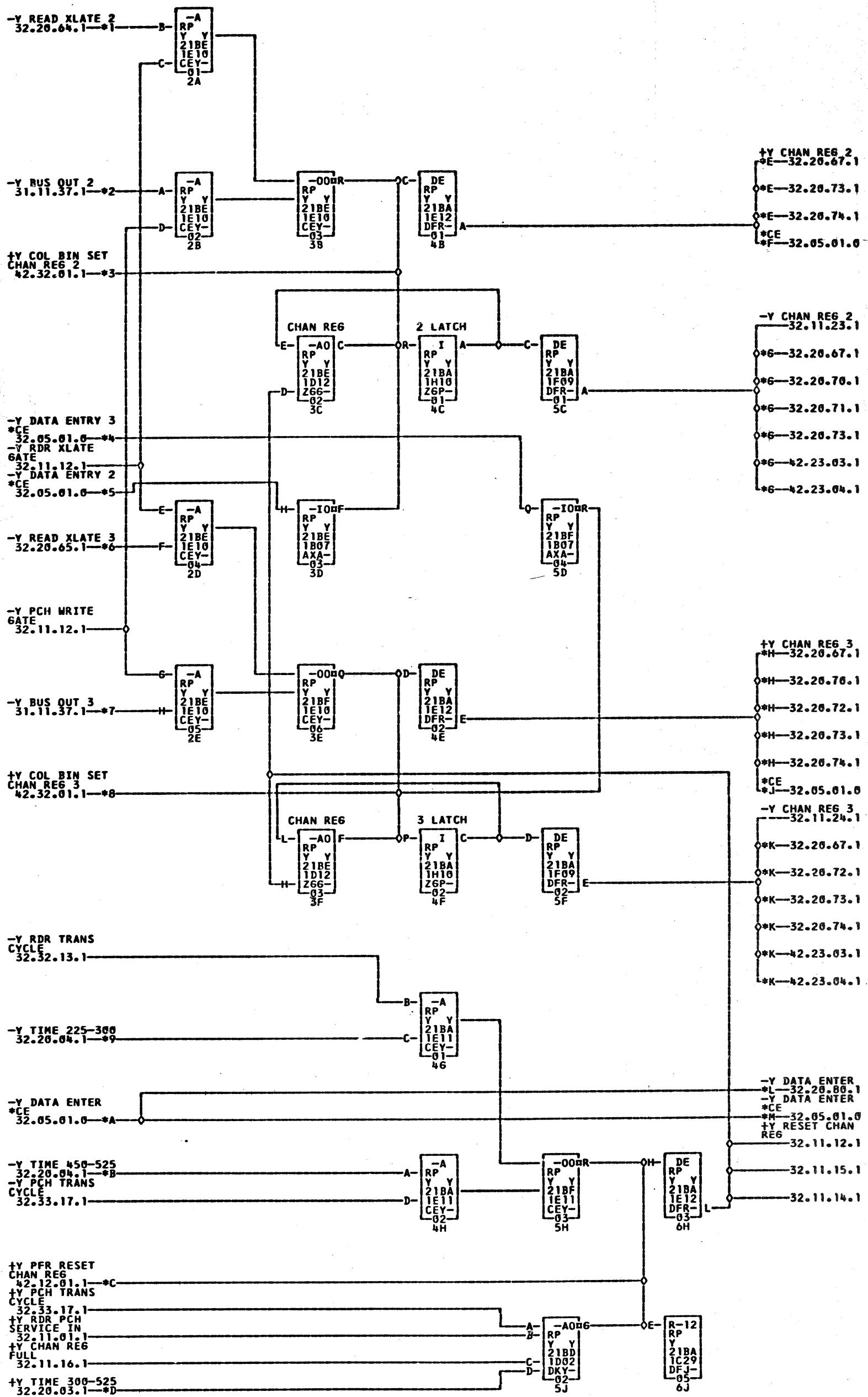


- \*1-21B1F03R
- \*2-21B1F02R
- \*3-21B1F03A
- \*4-21B1F03L
- \*5-21B1A32L
- \*6-21B1F03M
- \*7-21B1T19B
- \*8-21B1632P
- \*9-21B1T03B
- \*A-21B1F02N
- \*B-21B1F06R
-





- \*1-21B1H01D      \*2-21B1H01B      \*3-21B1C32M      \*4-21B1F01L      \*5-21B1H016      CERPA070
- \*6-21B1C32L      \*7-21B1F01M      \*8-21B1H01H      \*A-21B1F32A
- \*B-21B1D2D      \*C-21B1G32N      \*D-21B1T01C      \*E-21B1E01G      \*9-21B1A32D      \*F-21B1T25A
- \*G-21B3T25A      \*H-21B1G01K      CERPB001      \*I-21B1D32A      \*21B4B03A      \*J-21B1D32K
- \*K-21B1D32B      CERPB002      \*L-21B1G01L      \*M-21B1D32L
- 21B4B03K
- 21B4B03L

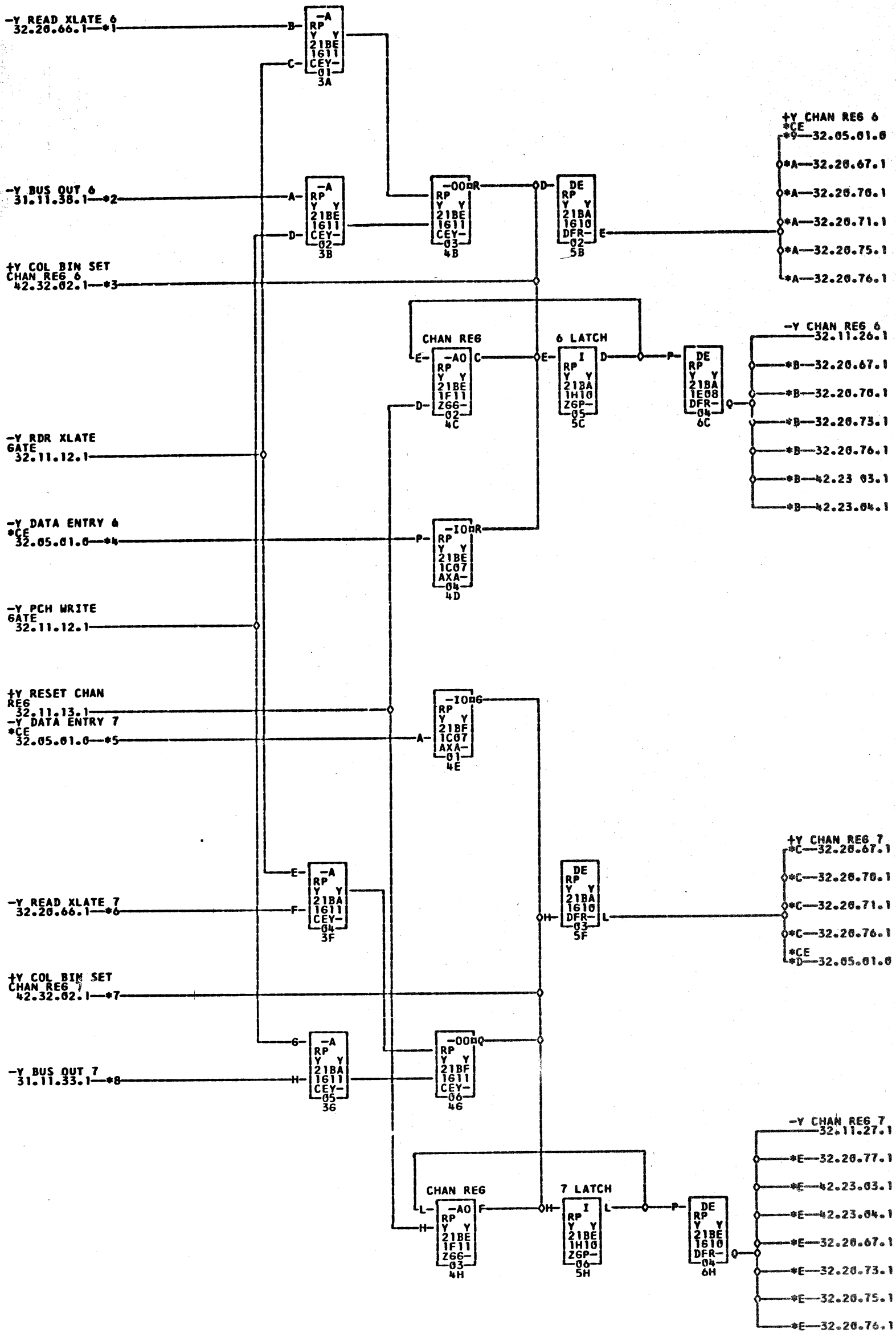


- \*1-21B1C32K      \*2-21B1F01N      \*3-21B1F326      \*4-21B1H01M      \*5-21B1H01L
- CERPA072      \*6-21B1C32H      \*7-21B1F01P      \*8-21B1F32F      \*9-21B1T03B
- 21B1T03C      \*C-21B1G32E      \*D-21B1D01M      \*E-21B1D32C      ---21B4B03C
- CERPB003      \*G-21B1D32M      ---21B4B03M      \*H-21B1D32D      ---21B4B03D
- CERPB004      \*K-21B1D32N      ---21B4B03N      \*L-21B1E326      ---21B4C036
- CERPA085

COMMENTS  
MDM.4040-4060-5020

TAG	DATE	E.C.NO.	TAG	DATE	E.C.NO.	TAG	DATE	E.C.NO.	TAG	DATE	E.C.NO.
A	09-01-64	121550K	B	10-15-64	121567	C	02-15-65	121594	D	03-18-65	121598
E	08-18-65	124270	F	04-20-66	125636						





- \*1-21B1C32E
- \*A-21B1D32E
- \*D-21B1H01A

- \*2-21B1F02A
- \*6-21B1C32D
- \*B-21B4B03B
- CERP8068

- \*3-21B1F32C
- \*7-21B1F32B
- \*E-21B1D32R
- \*B-21B1E32A

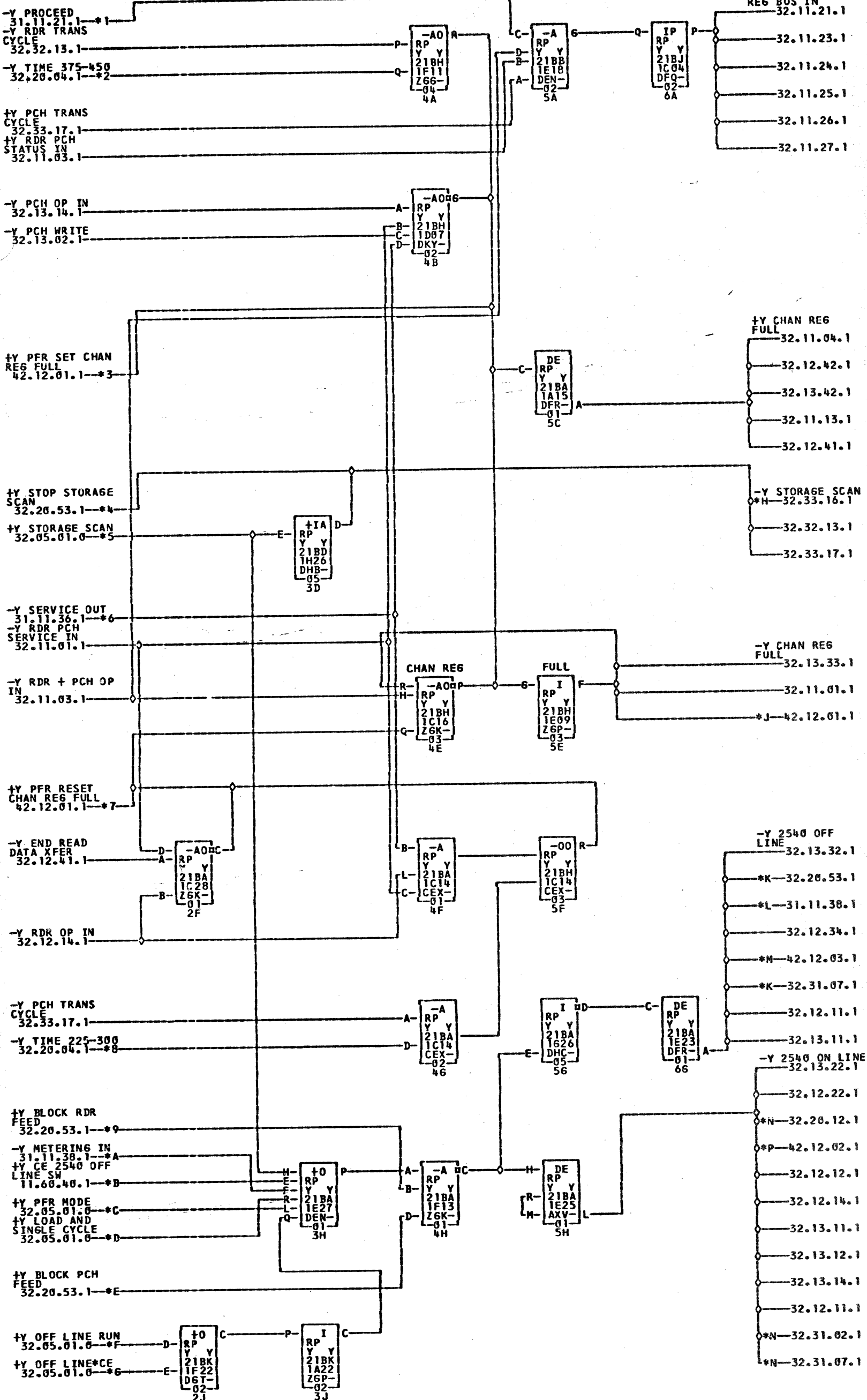
- \*4-21B1H01R
- \*8-21B1F02B
- \*C-21B4B03R
- \*D-21B4C03A

- CERPA076
- \*9-21B1G01R
- \*C-21B1D32H

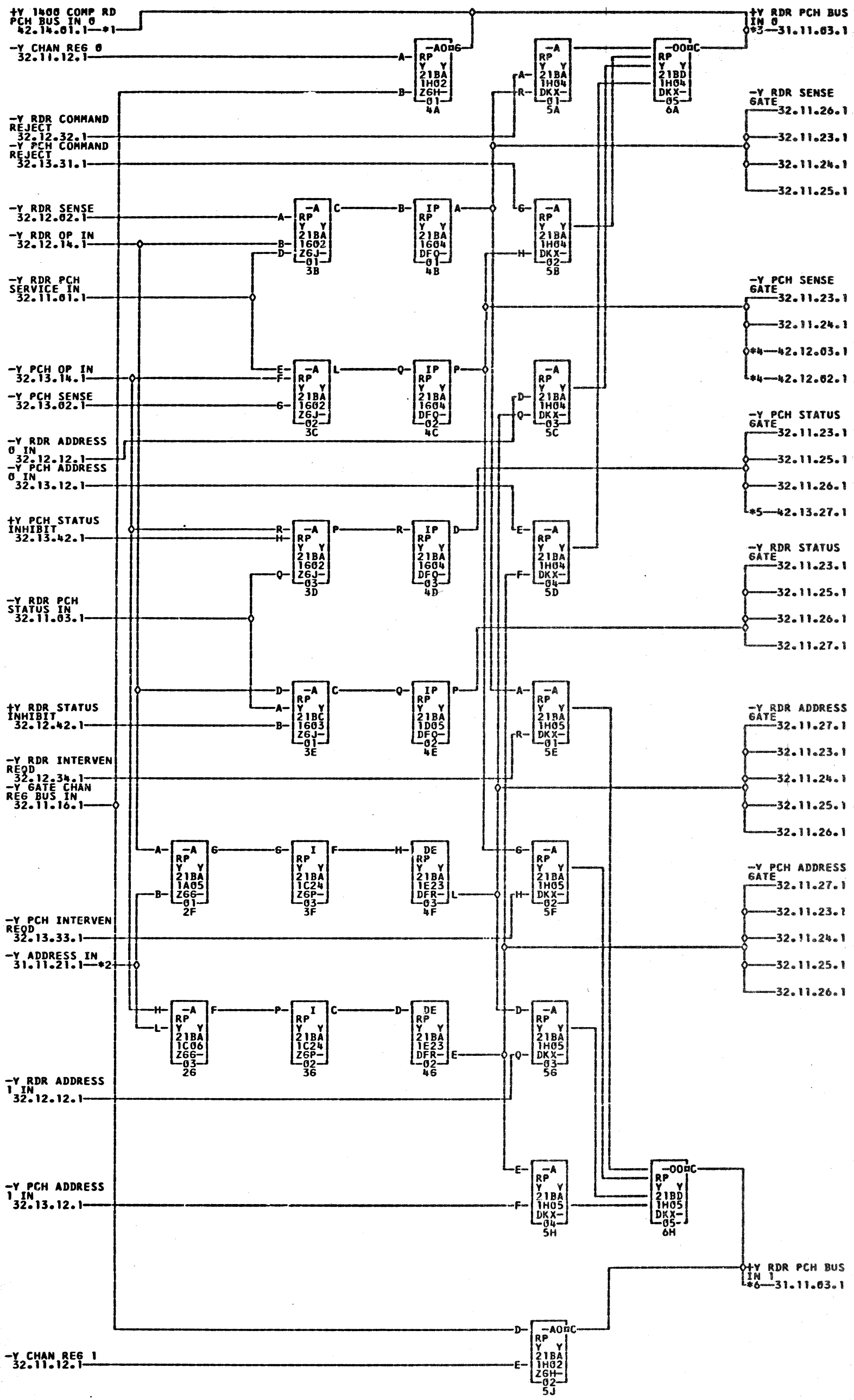
- \*5-21B1E01A
- CERP8007
- \*D-21B4B03H

MDM.4040-4060-5020 COMMENTS

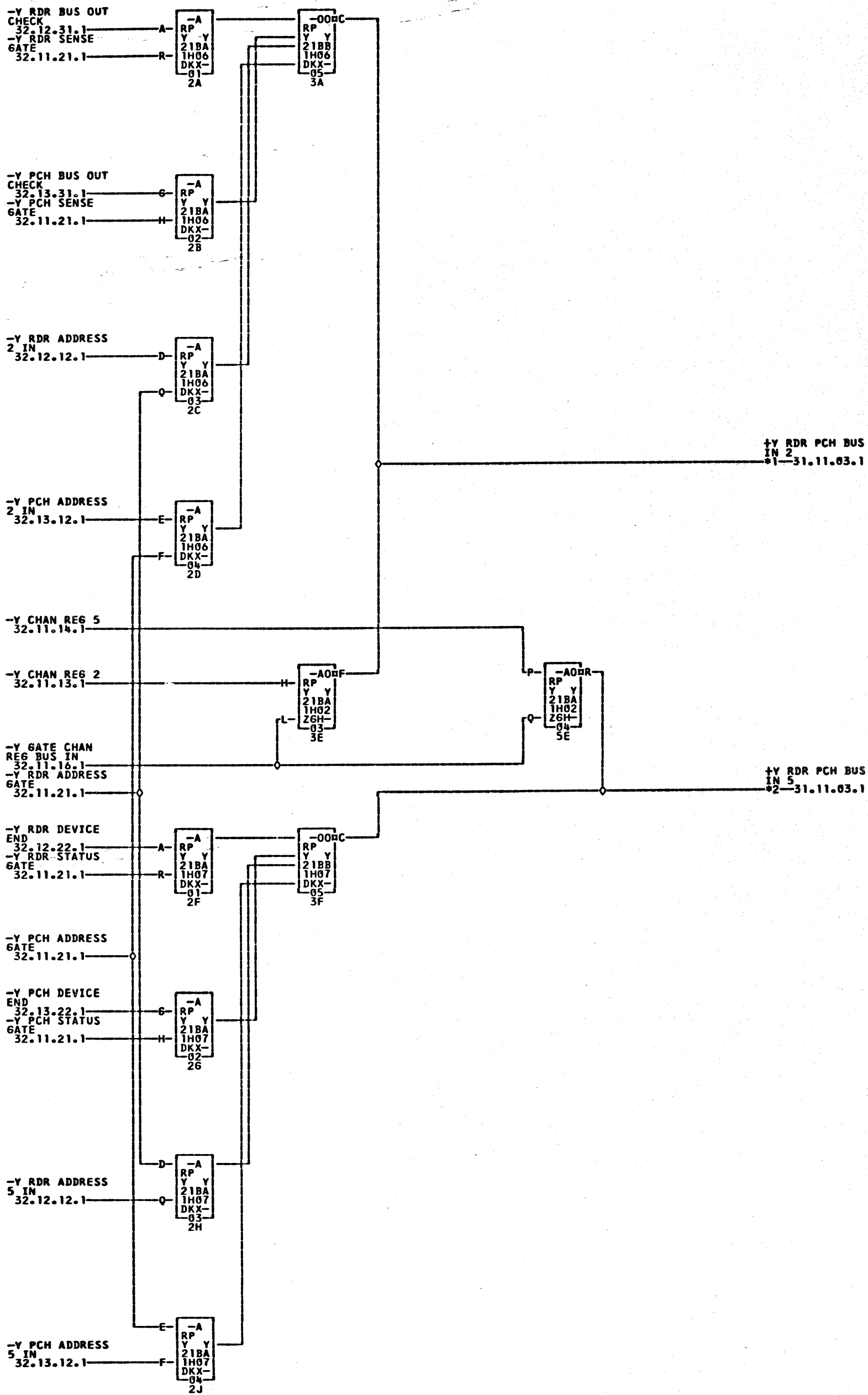
TAG	DATE	F.C.NO.	TAG	DATE	F.C.NO.	TAG	DATE	F.C.NO.	TAG	DATE	F.C.NO.
A	09-01-64	121550K	B	10-15-64	121567	C	02-15-65	121594	D	03-18-65	121598
	08-18-65	124270		04-28-66	125636						

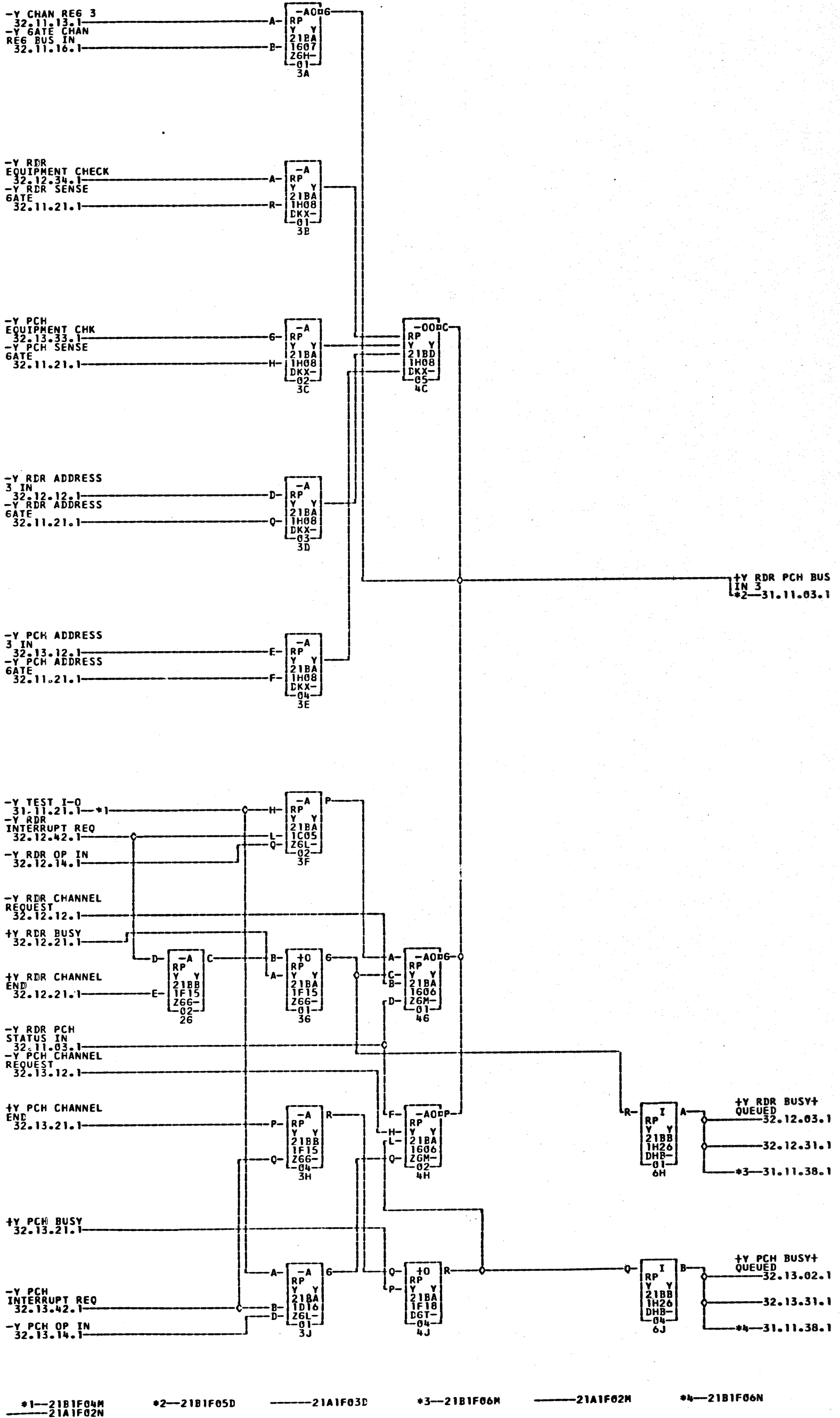


- \*1-21B1F04L
- \*2-21B1T02B
- \*3-21B1632L
- \*4-21B1T28C
- \*5-21B1H01B
- \*6-21B1F02Q
- \*7-21B1G32M
- \*8-21B1T03B
- \*9-21B1T31D
- \*A-21B1F04C
- \*B-21B1T26D
- \*C-21B1H01C
- \*D-21B1T01D
- \*E-21B1T32A
- \*F-21B1H01E
- \*G-21B1E01K
- \*H-21B1T16A
- \*I-21B3T16A
- \*J-21B1H32Q
- \*K-21B1F02L
- \*L-21B1F02L
- \*M-21B1B32R
- \*N-21B1F03Q
- \*O-21B1T24D
- \*P-21B3T24D
- \*Q-21B1F06L
- \*R-21B1F03F
- \*S-21B1B32R
- \*T-21B4E03F



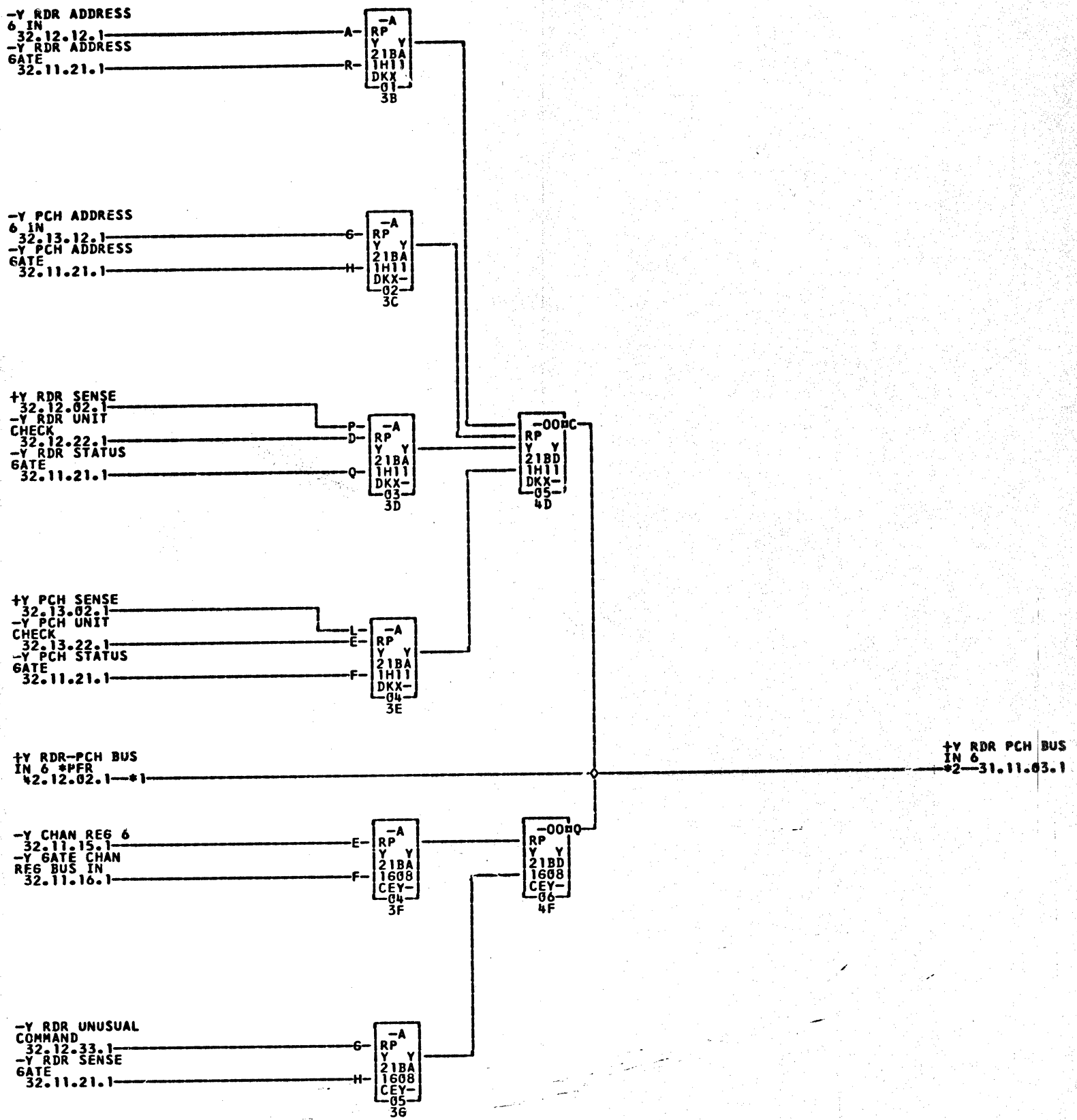
- \*1—21B1B320      \*2—21B1F03N      \*3—21B1F05A      ————21A1F03A      \*4—21B1E32D      ————21B4C03D
- \*5—21B1B32K      ————21B4E03K      \*6—21B1F05B      ————21A1F03B







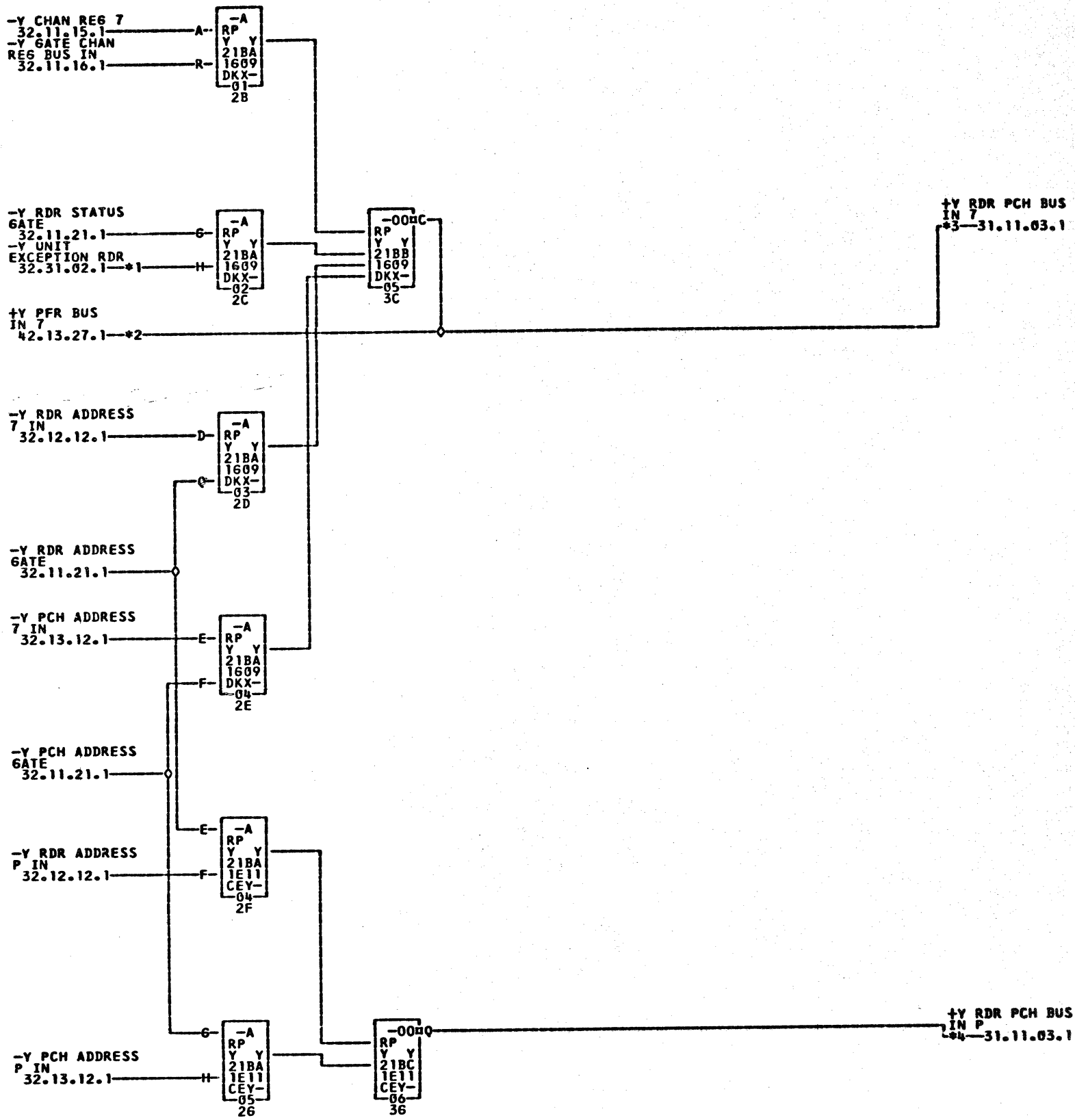




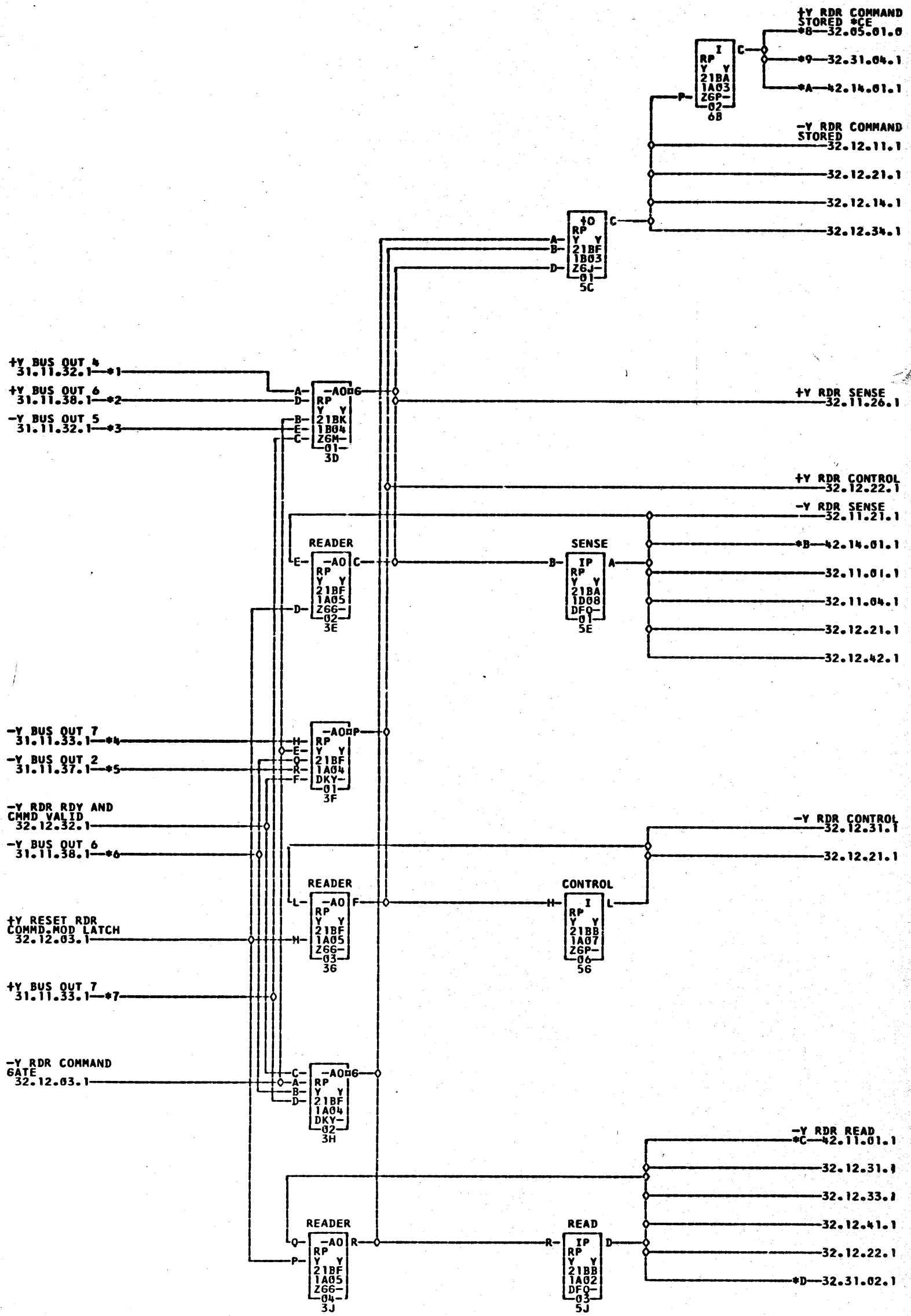
\*1-21B1H32A    \*2-21B1F056    — 21A1F036

COMMENTS  
MDM.3020-4000-4040

TAG	DATE	E.C.NO.	TAG	DATE	E.C.NO.	TAG	DATE	E.C.NO.	TAG	DATE	E.C.NO.
A	09-01-64	121550K	B	10-15-64	121567	C	01-08-64	121583	D	04-20-64	125636



\*1-21B1T11A    \*2-21B1T32D    \*3-21B1F05H    —21A1F03H    \*4-21B1F05K    —21A1F03K



\*1-21B1F01E  
 \*7-21B1F01H  
 21B4C026  
 21B3A016

\*2-21B1F016  
 \*8-21B1G016  
 \*B-21B1D32K

\*3-21B1F01R  
 CERPA040  
 21B4C02K

\*4-21B1F02B  
 \*9-21B1T31B  
 \*C-21B1F32L

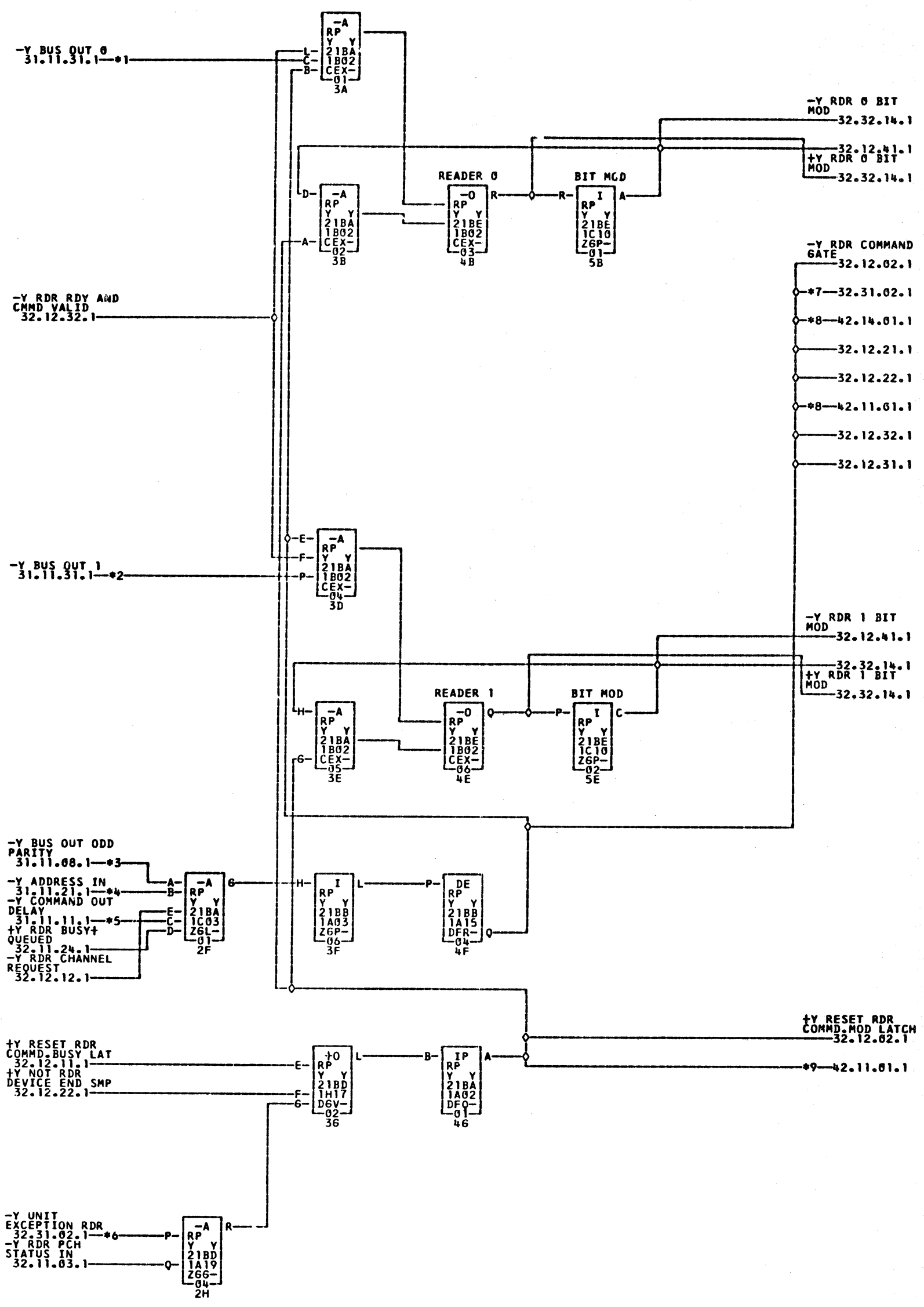
\*5-21B1F01N  
 21B3T31B  
 21B4D03L

\*6-21B1F02A  
 \*A-21B1B326  
 \*D-21B1D016

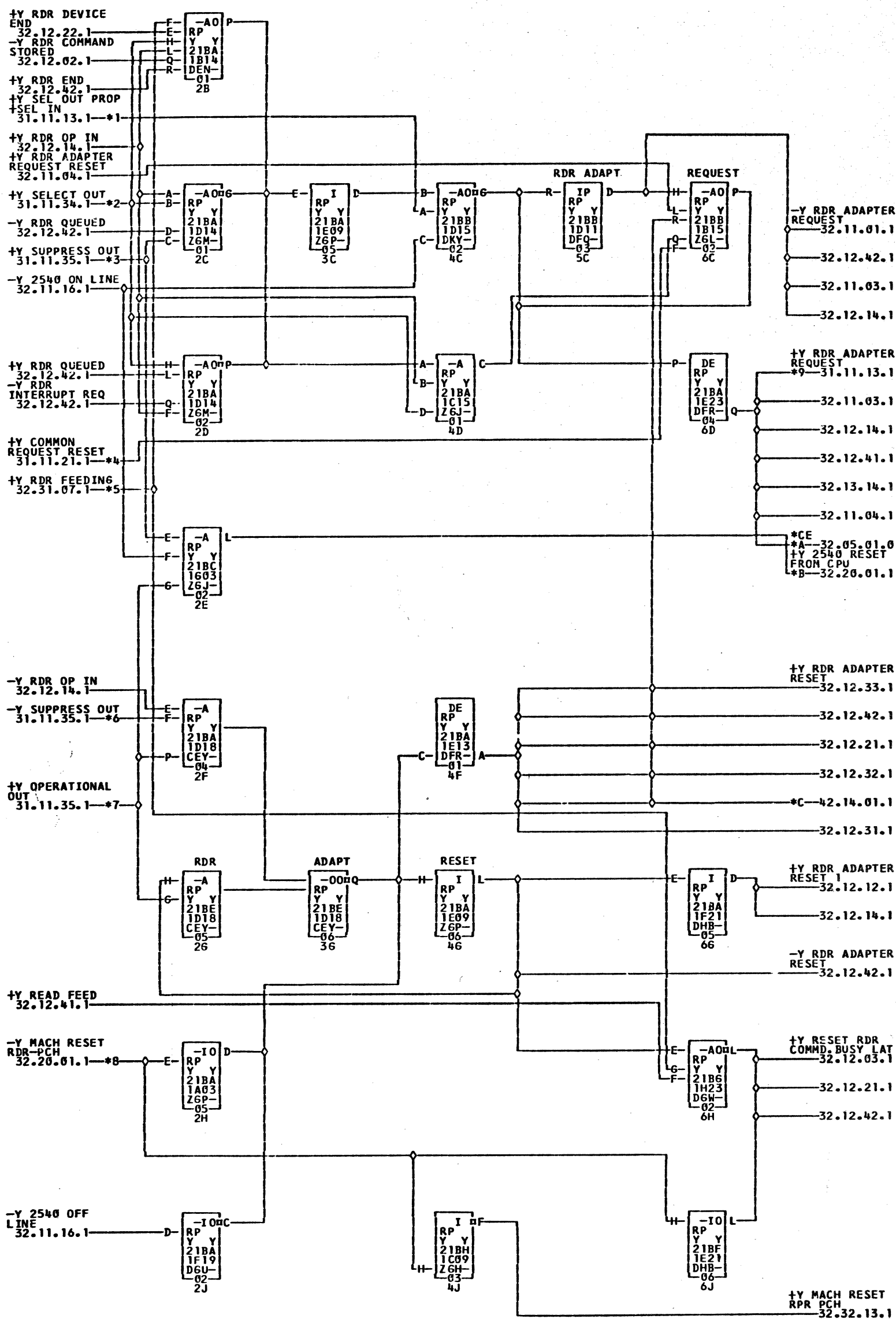
MDM-4000-4040

COMMENTS

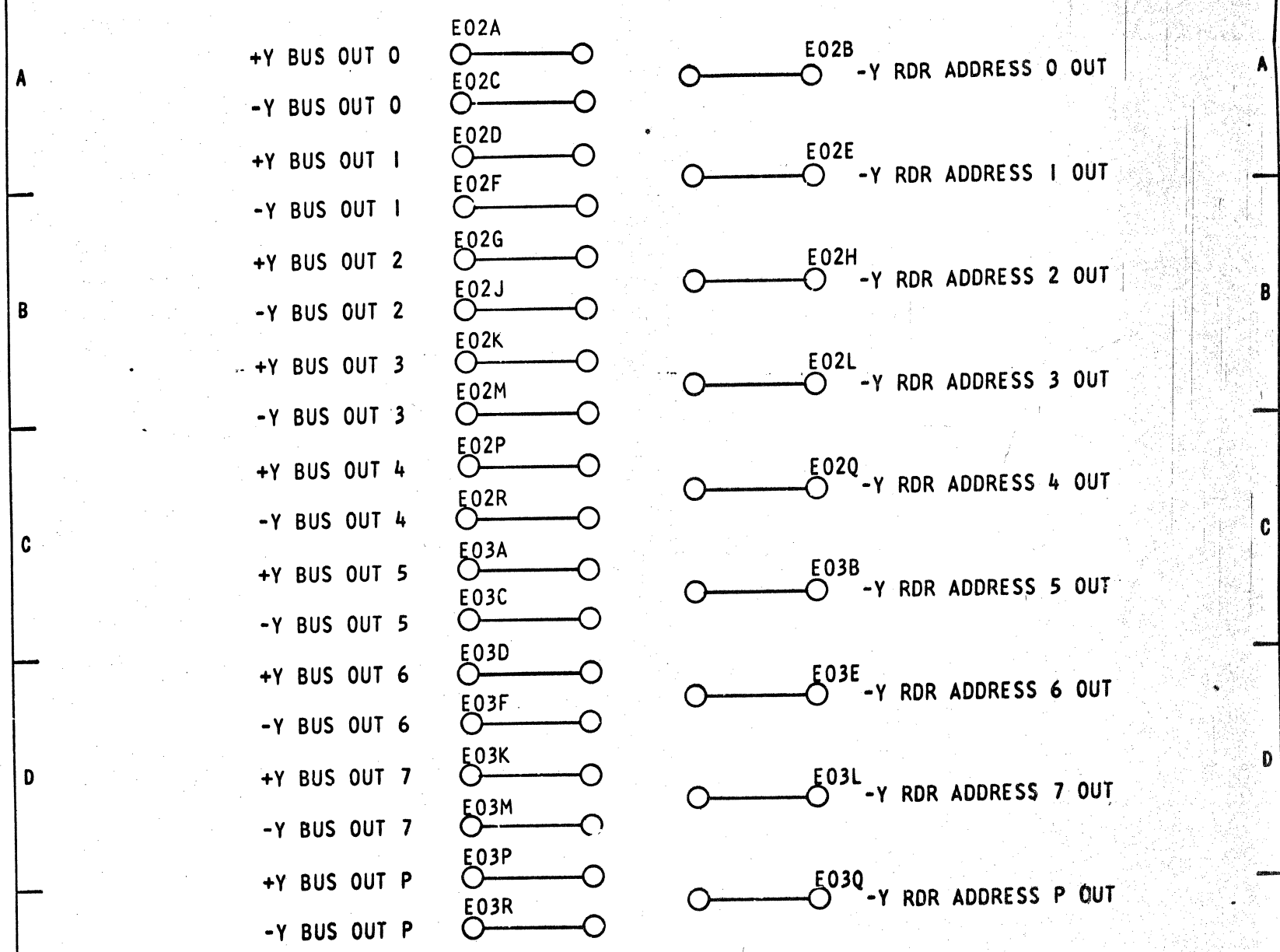
TAG	DATE	E.C. NO.	TAG	DATE	E.C. NO.	TAG	DATE	E.C. NO.	TAG	DATE	E.C. NO.
A	09-01-64	121550K	B	10-15-64	121567	C	12-19-64	121583	D	01-21-65	121589
E	02-15-65	121594	F	04-26-65	124237	G	08-18-65	124270	H	11-18-65	125401
J	01-20-66	125617	K	04-20-66	125636						



- \*1—21B1F01L
- \*2—21B1F01M
- \*3—21B1F04F
- \*4—21B1F03N
- \*5—21B1F02H
- \*6—21B1T11A
- \*7—21B1D01F
- \*8—21B1F32M
- \*9—21B4D03M
- \*9—21B1F32N
- \*9—21B4D03N



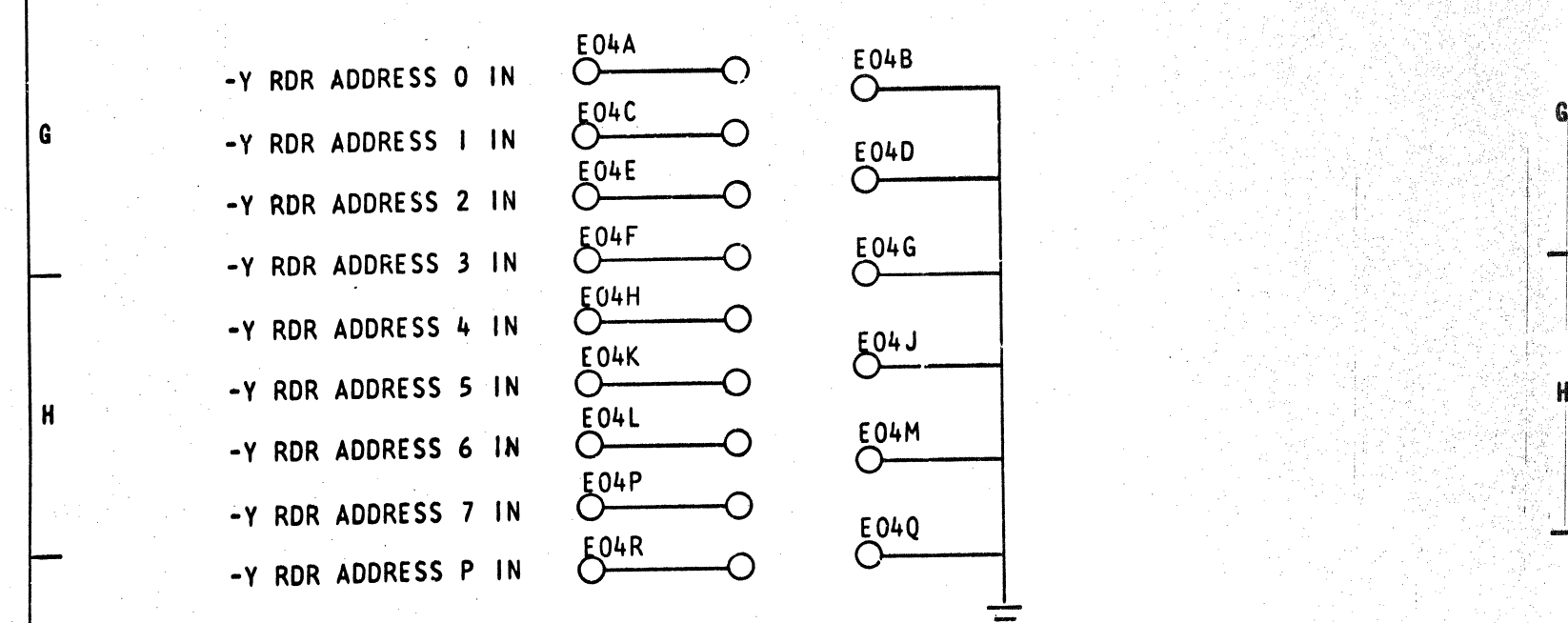
- \*1-21B1F03B      \*2-21B1F03C      \*3-21B1F02E      \*4-21B1F04P      \*5-21B1T30C      \*6-21B1F02D
- \*7-21B1F03F      \*8-21B1T12D      \*9-21B1F066      \*A-21A1F026      \*A-21B1601C      CERPA038
- \*B-21B1T13B      \*C-21B1B32D      \*D-21B4C02D



TO RECOGNIZE CORRECT ADDRESS JUMPER:

-Y BUS OUT TO -Y RDR ADDRESS OUT FOR THOSE BITS WHICH SHOULD BE PRESENT.

JUMPER: +Y BUS OUT TO -Y RDR ADDRESS OUT FOR THOSE BITS WHICH SHOULD NOT BE PRESENT.



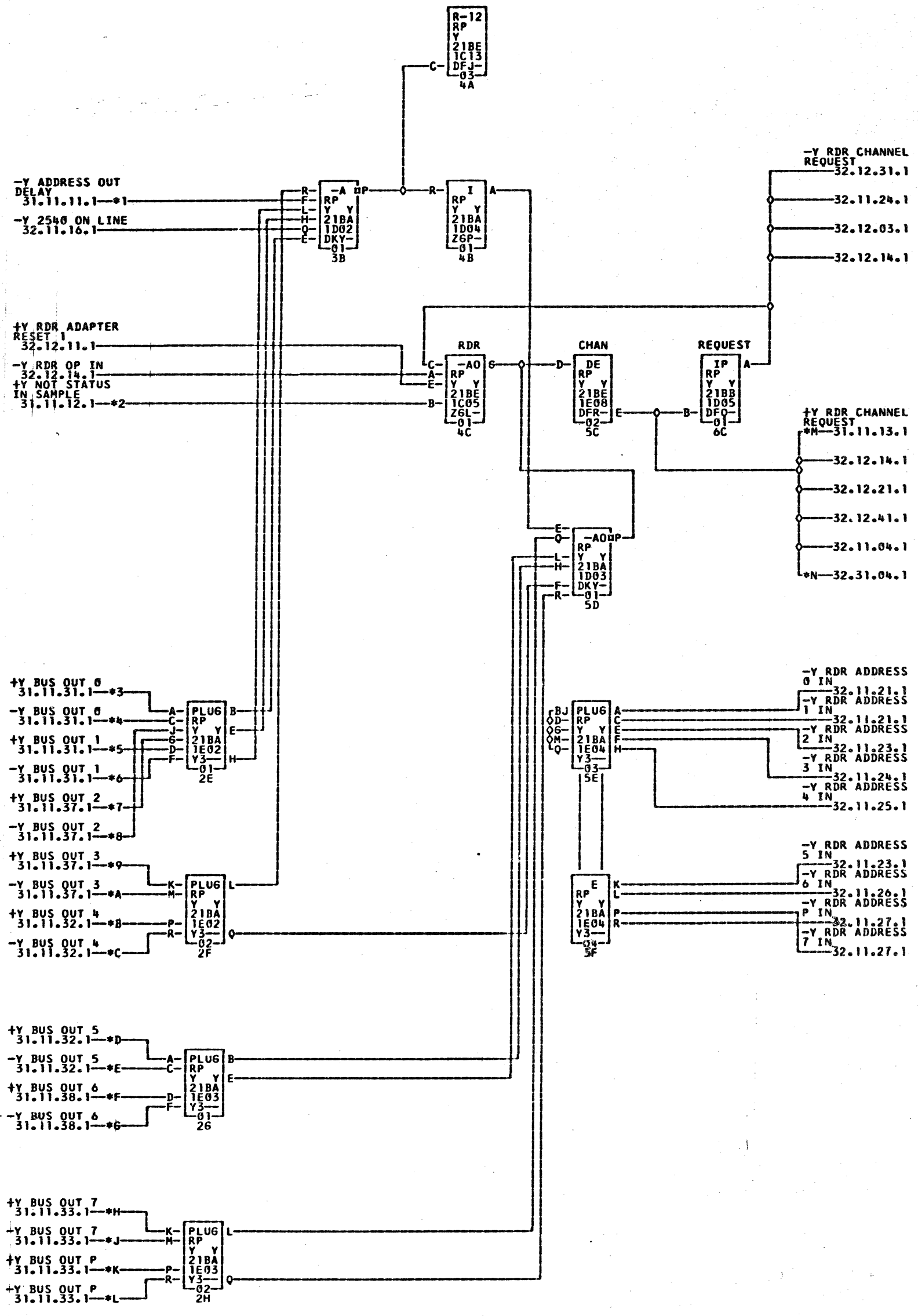
TO GENERATE ADDRESS:

ALLOW -Y RDR ADDRESS IN LINES TO FLOAT. FOR THOSE BITS WHICH SHOULD BE PRESENT.

JUMPER OTHER LINES TO GROUND.

216259 MALE CONTACT STRIP TO BE USED FOR JUMPERS.

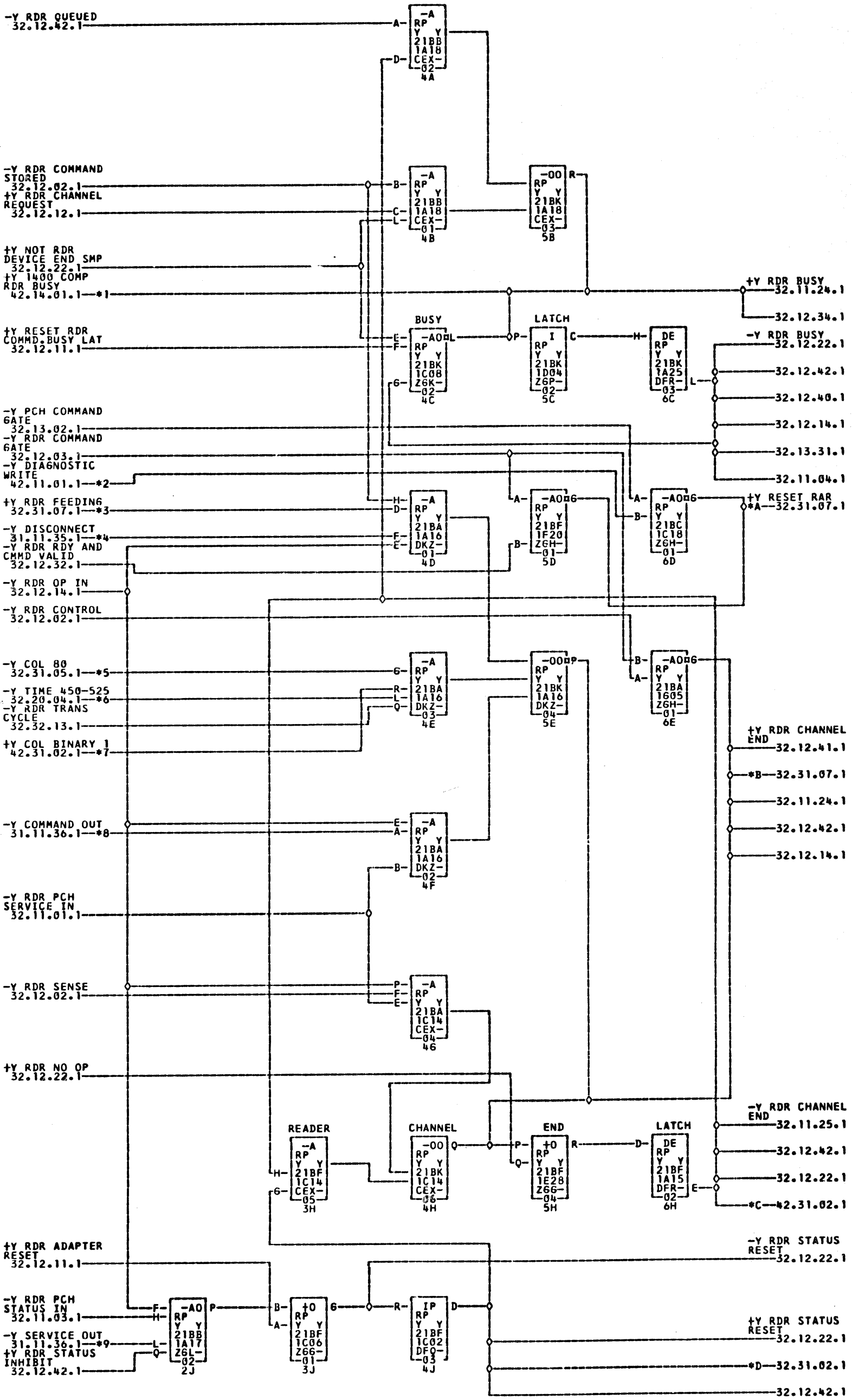
DATE	EC NO	DATE	EC NO	DATE	EC NO
9-10-64	121550K				
19AUG65	124270				



- \*1-21B1F03K
- \*2-21B1F03R
- \*3-21B1F01A
- \*4-21B1F01L
- \*5-21B1F01B
- \*6-21B1F01M
- \*7-21B1F01C
- \*8-21B1F01N
- \*9-21B1F01D
- \*A-21B1F01P
- \*B-21B1F01E
- \*C-21B1F01Q
- \*D-21B1F01F
- \*E-21B1F01R
- \*F-21B1F01G
- \*G-21B1F02A
- \*H-21B1F01H
- \*I-21B1F01I
- \*J-21B1F02B
- \*K-21B1F01K
- \*L-21B1F02C
- \*M-21B1F06E
- \*N-21A1F02E
- \*N-21B1D01A
- \*N-21B3A01A



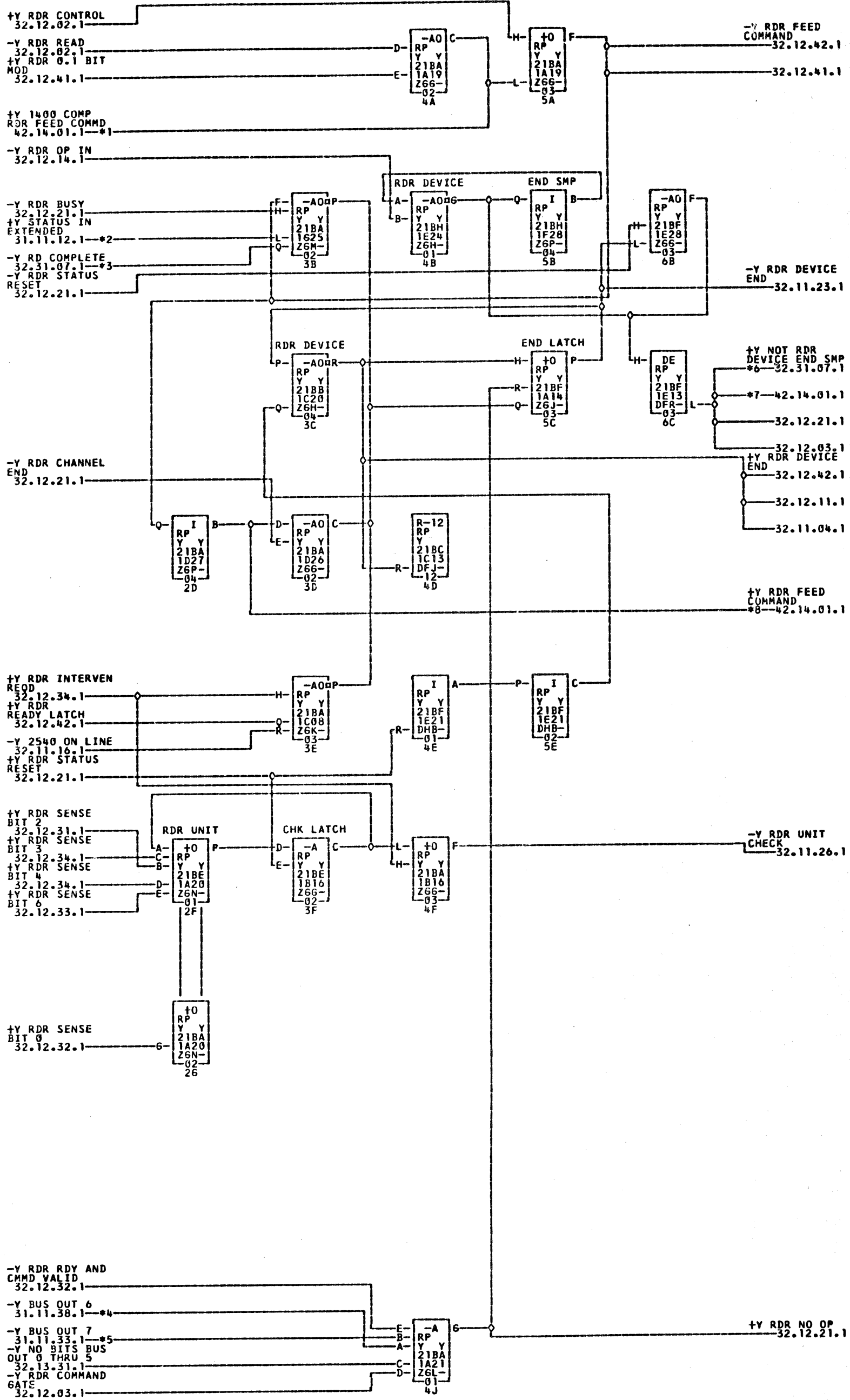




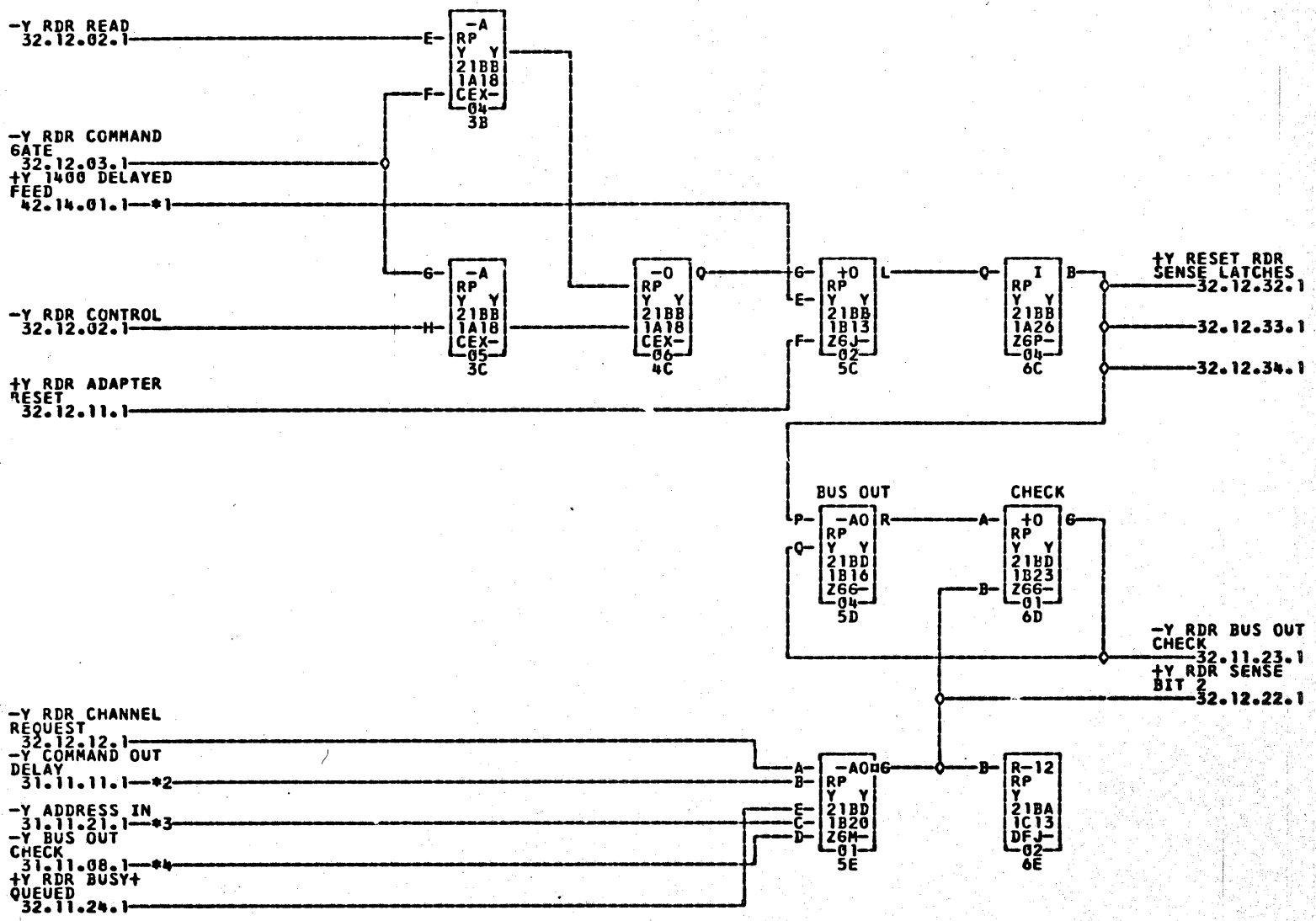
- \*1--21B1B32N      \*2--21B1A32B      \*3--21B1T30C      \*4--21B1F04N      \*5--21B1T13A      \*6--21B1T03C
- \*7--21B1F32R      \*8--21B1F02L      \*9--21B1F02O      \*A--21B1T29D                         \*B--21B1T27A
- 21B3T27A      \*C--21B1A32E                         21B4D02E                         21B3T30D                         21B3T30D

COMMENTS  
MDM.4000-4040-4041

TAG	DATE	E.C.NO.	TAG	DATE	E.C.NO.	TAG	DATE	E.C.NO.	TAG	DATE	E.C.NO.
A	09-01-64	121550K	B	10-15-64	121567	C	11-09-64	121572	D	12-19-64	121583
E	03-18-65	121598	F	04-26-65	124237	G	05-26-65	124248	H	08-18-65	124270
J	11-18-65	125601	K	03-10-66	125633						



- \*1—21B1B32P      \*2—21B1F05N      \*3—21B1T26A      \*4—21B1F02A      \*5—21B1F02B      \*6—21B1T14D
- 21B3T14D      \*7—21B1T14D      21B3T14D      21B3F326      21B4F016      \*8—21B1B32F
- 21B4C02F

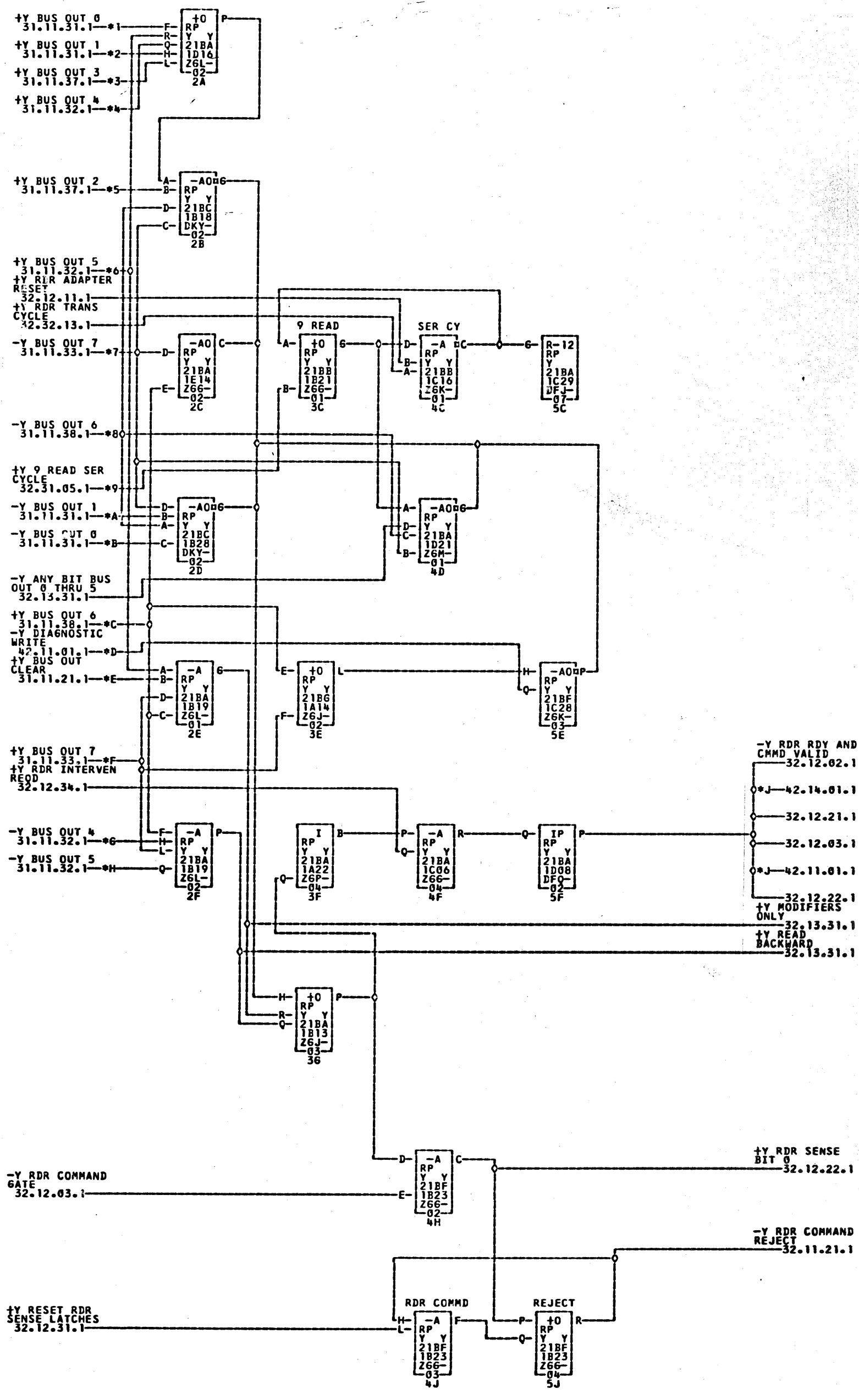


\*1—21B1632C

\*2—21B1F02H

\*3—21B1F03N

\*4—21B1F046

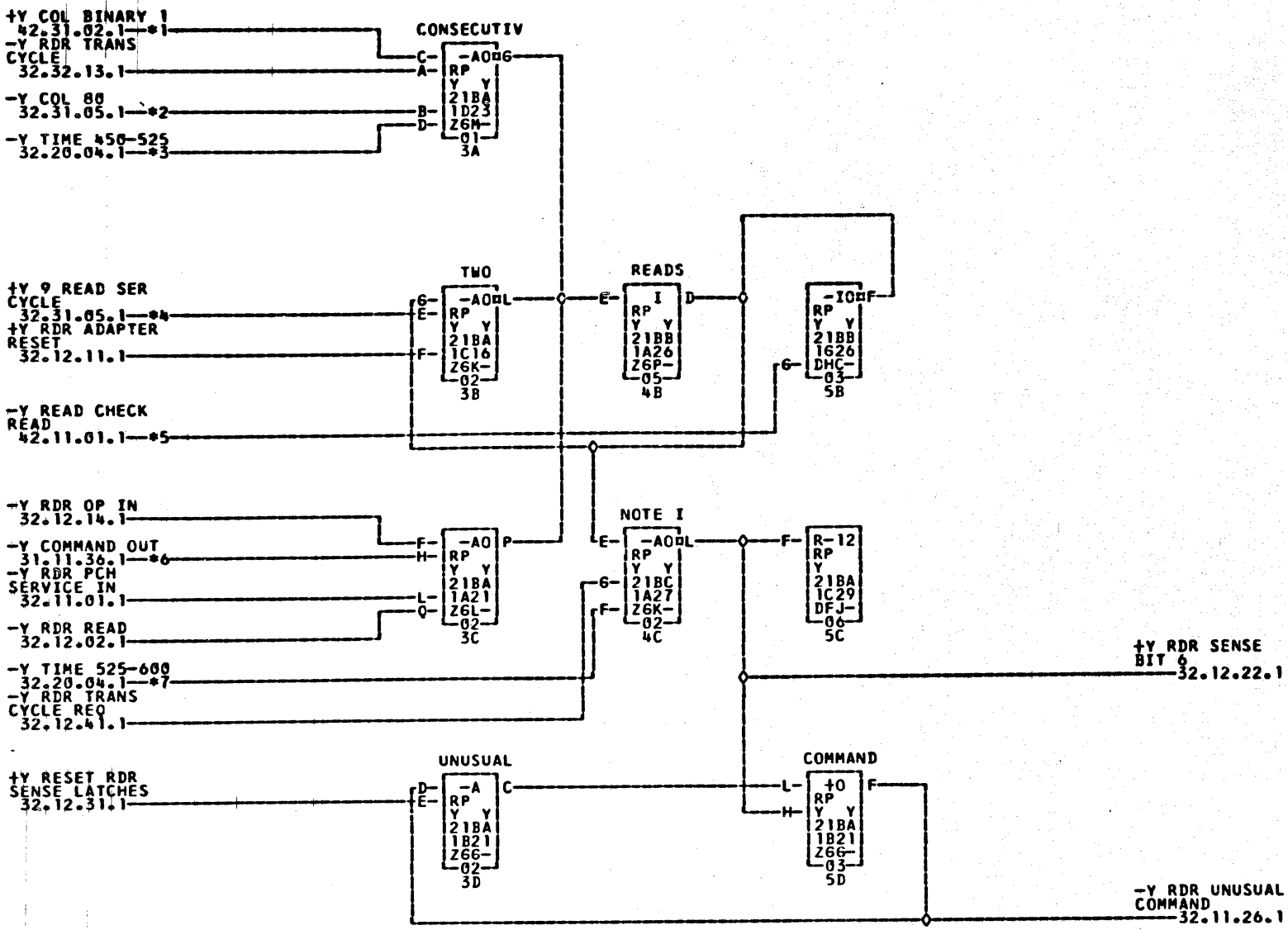


- \*1-21B1F01A
- \*2-21B1F01B
- \*3-21B1F01D
- \*4-21B1F01E
- \*5-21B1F01C
- \*6-21B1F01F
- \*7-21B1F02B
- \*8-21B1F02A
- \*9-21B1F01A
- \*A-21B1F01E
- \*B-21B1F01L
- \*C-21B1F01G
- \*D-21B1A32B
- \*E-21B1F04K
- \*F-21D1F01H
- \*G-21B1F01Q
- \*H-21B1F01R
- \*J-21B1F32P

FSD. 303-504

COMMENTS

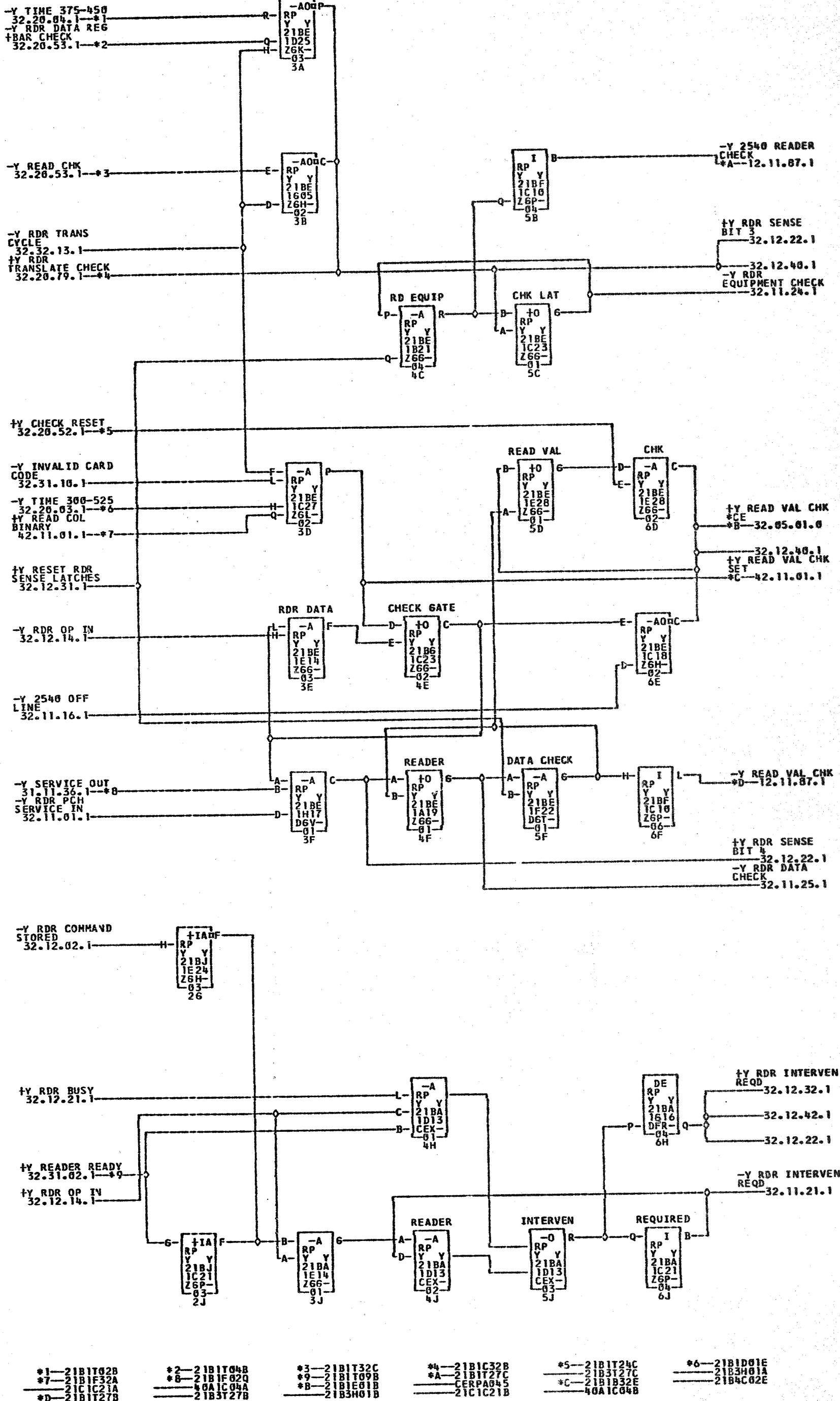
TAG	DATE	E.C.NO.	TAG	DATE	E.C.NO.	TAG	DATE	E.C.NO.	TAG	DATE	E.C.NO.
A	09-01-64	121550K	B	10-15-64	121567	C	12-19-64	121583	D	01-21-65	121589
E	03-18-65	121598	F	04-26-65	124237	G	06-22-65	124265	H	08-18-65	124270

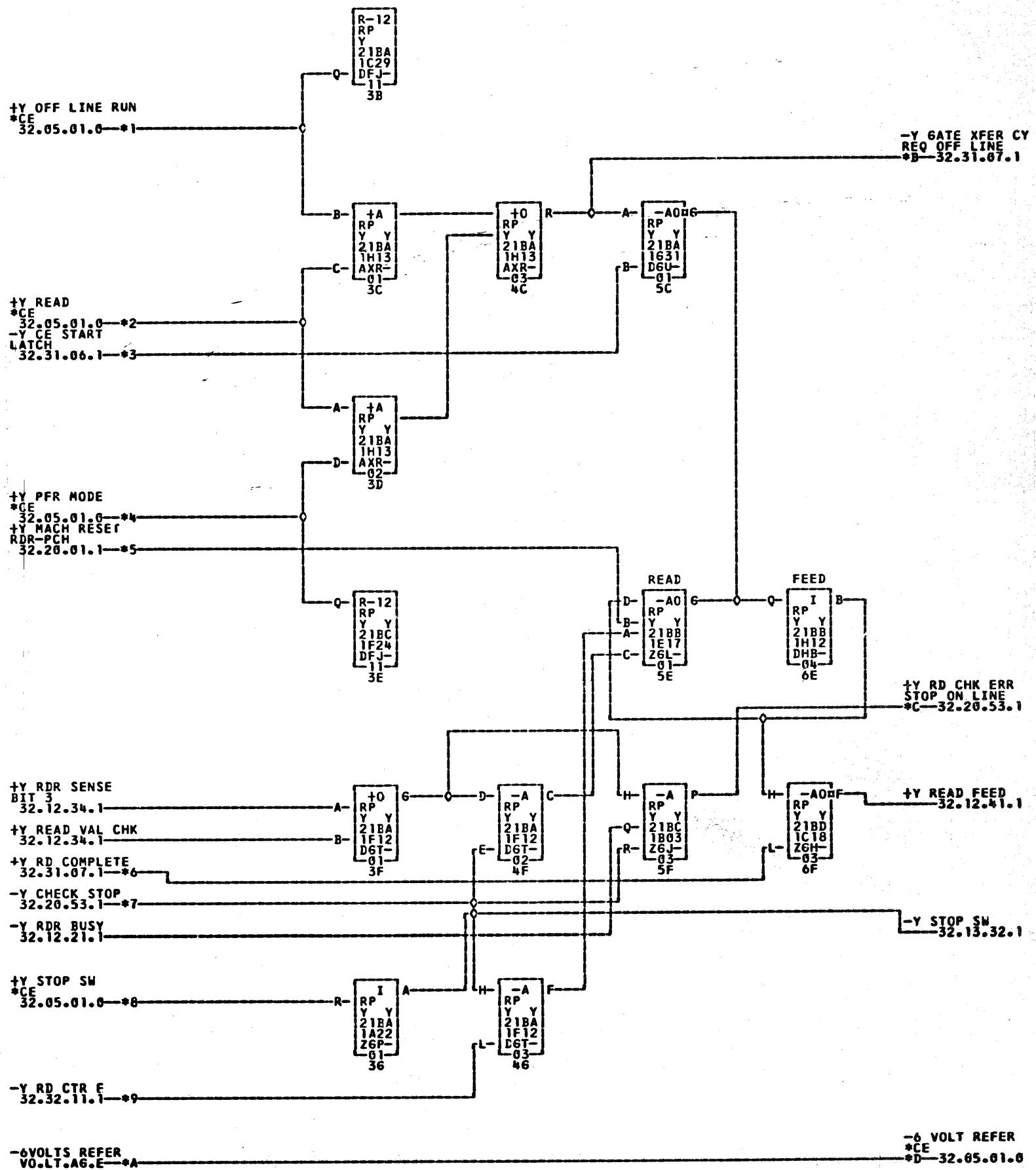


- \*1--21B1F32R
- \*2--21B1T13A
- \*3--21B1T03C
- \*4--21B1T12A
- \*5--21B1A32K
- \*6--21B1F02L
- \*7--21B1T03D

COMMENTS  
 NOTE I-A27E JUMPED TO A27J IF RPO FOR SUPPRESSING UNUSUAL COMMAND SEQUENCE IS INSTALLED

TAG	DATE	E.C.NO.	TAG	DATE	E.C.NO.	TAG	DATE	E.C.NO.
A	09-01-64	121550K	B	06-08-65	124249	C	11-18-65	125601





\*1-21B1H01E  
\*7-21B1T25C  
21B3T22B

\*2-21B1E01F  
\*8-21B1E01D  
\*C-21B1T28A

\*3-21B1T16C  
CERPA088  
21B3T28A

\*4-21B1H01C  
\*9-21B1T13C  
\*D-21B1E01M

\*5-21B1T17A  
\*A-21B1E08K  
CERPA086

\*6-21B1T30A  
\*B-21B1T22B

COMMENTS

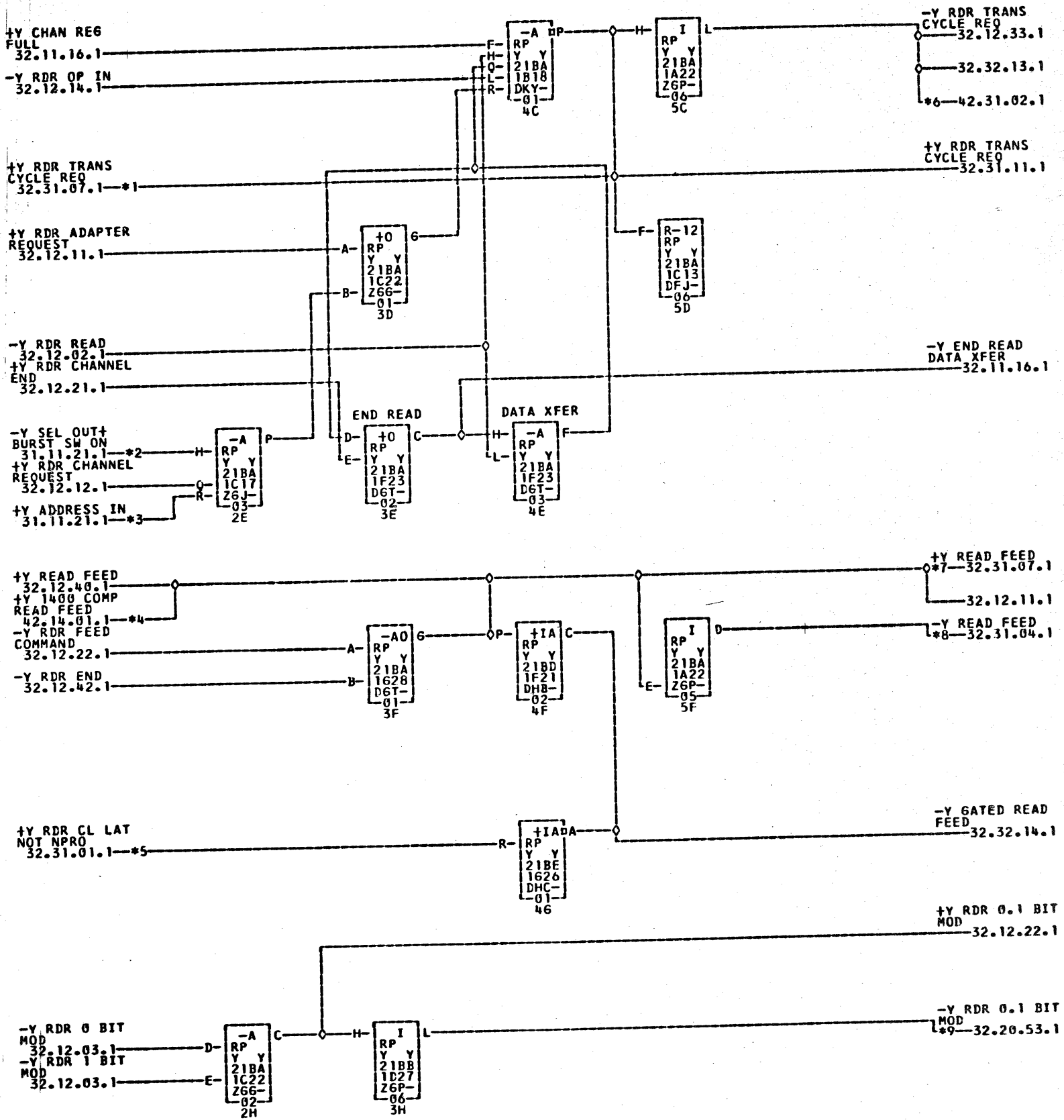
TAG DATE E.C.NO.  
A 09-01-64 121550K  
E 03-18-65 121598

TAG DATE E.C.NO.  
B 10-15-64 121567  
F 08-18-65 124270

TAG DATE E.C.NO.  
C 11-09-64 121572

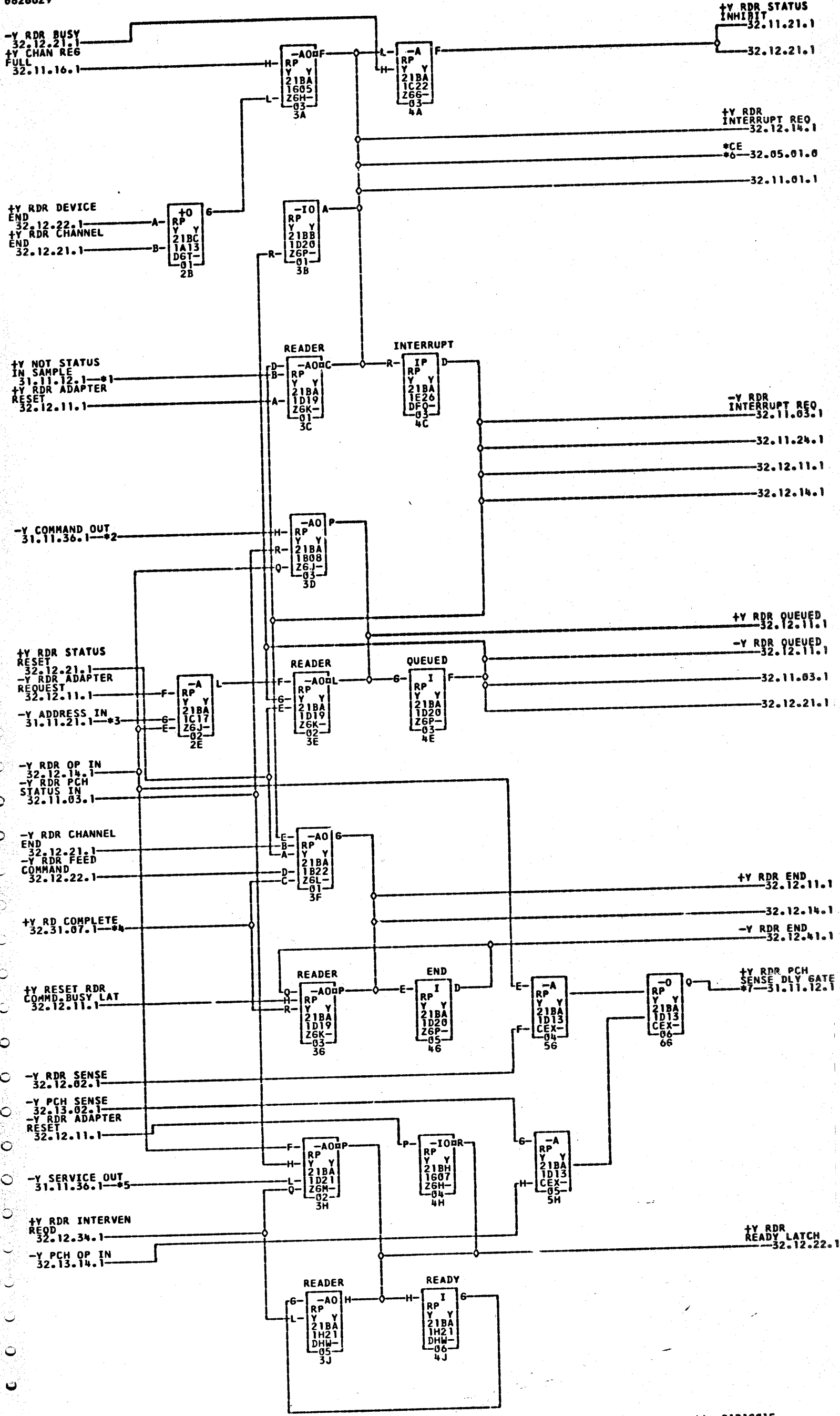
TAG DATE E.C.NO.  
D 02-15-65 121594





- \*1-21B1T23C  
21B4C03R  
21B3T31C
- \*2-21B1F02R  
\*7-21B1D01K
- \*3-21B1F03P  
21B3A01K
- \*4-21B1B32M  
\*8-21B1T20C
- \*5-21B1D01P  
21B3T20C
- \*6-21B1E32R  
\*9-21B1T31C

TAG DATE E.C.NO.		TAG DATE E.C.NO.		TAG DATE E.C.NO.		TAG DATE E.C.NO.	
MDM.4040-4041	COMMENTS	A 09-01-64 121550K	B 10-15-64 121567	C 03-18-65 121598	D 05-26-65 124248	E 06-08-65 124249	F 08-18-65 124270



- #1-21B1F03R CERPA039
- #2-21B1F02L
- #3-21B1F03N 21A1F02D
- #4-21B1T36A
- #5-21B1F020
- #6-21B1G01E
- #7-21B1F06D

TAG	DATE	E.C.NO.	TAG	DATE	E.C.NO.	TAG	DATE	E.C.NO.	TAG	DATE	E.C.NO.
A	09-01-64	121559K	B	10-15-64	121567	C	11-09-64	121572	D	02-15-65	121594
E	03-18-65	121598	F	08-18-65	124270	G	12-21-65	125616	H	03-10-66	125633